



**东莞市兴东电子有限公司**  
DONGGUAN XINGDONG ELECTRONICS CO., LTD

Professional DC/AC/EC Fan Manufacturer



**东莞市兴东电子有限公司**

DONGGUAN XINGDONG ELECTRONICS CO., LTD

广东省东莞市常平镇桥沥村利氏工业区

TEL : +86-0769-8366 0708 FAX : +86-0769-8366 0718

E-mail : info@d-fan.com.cn Web : www.d-fan.com.cn

■ ISO9001/ISO14001认证企业

■ UL/CUL/CE/RoHS/TUV认证

# 公司简介

“东莞市兴东电子有限公司”（以下简称“兴东”）是国内一家专业研发和生产散热风扇的现代化制造型企业。其前身是“深圳市兴东宇电子有限公司”，公司创立于2006年，专业研发、制造、销售直流/交流/EC风扇、横流风机、鼓风机和马达，月产能达120万台。产品主要用于设备的通风散热，涉及的领域有电脑、电源、家电、汽车、安防、通讯、医疗、工控、电力、印刷、军工、电焊机，仪器仪表等。

兴东拥有两个注册商标：“D-FAN”和“DOSENSE”。“D-FAN”商标用于风扇系列，“DOSENSE”商标用于马达系列。

“性价比高”是兴东产品的特色，也是客户认可本公司的主要原因。凭借严格的管理和近二十年的研制经验，“D-FAN”风扇以其风量大、噪音小、寿命长、稳定性好而著称，并可依客户之要求生产具有自

动启动、测速、报警、PWM调速、防尘防水等不同功能的产品。

兴东拥有一支经验丰富、技术精湛的研发队伍，可快速为广大客户提供散热解决方案，优化散热系统。公司严格按ISO-9001质量管理体系及ISO14001环境管理体系要求进行作业，创建全面、高效的品质系统以满足客户的需求，促进企业健康、稳步、长期的发展。同时公司产品通过了CE、TUV、UL等安全认证，生产的产品符合RoHS的要求，以保证客户购买到满意的、“高性价比”的产品。

兴东秉承“客户至上、品质第一、以人为本”的理念。兴东人将踏踏实实地向前迈好每一步，兼顾客户、供应商、员工、公司等各方之利益，以期共同发展、共同进步。欢迎海内外各界朋友前来洽谈、合作，携手共创美好明天。

# Company Profile

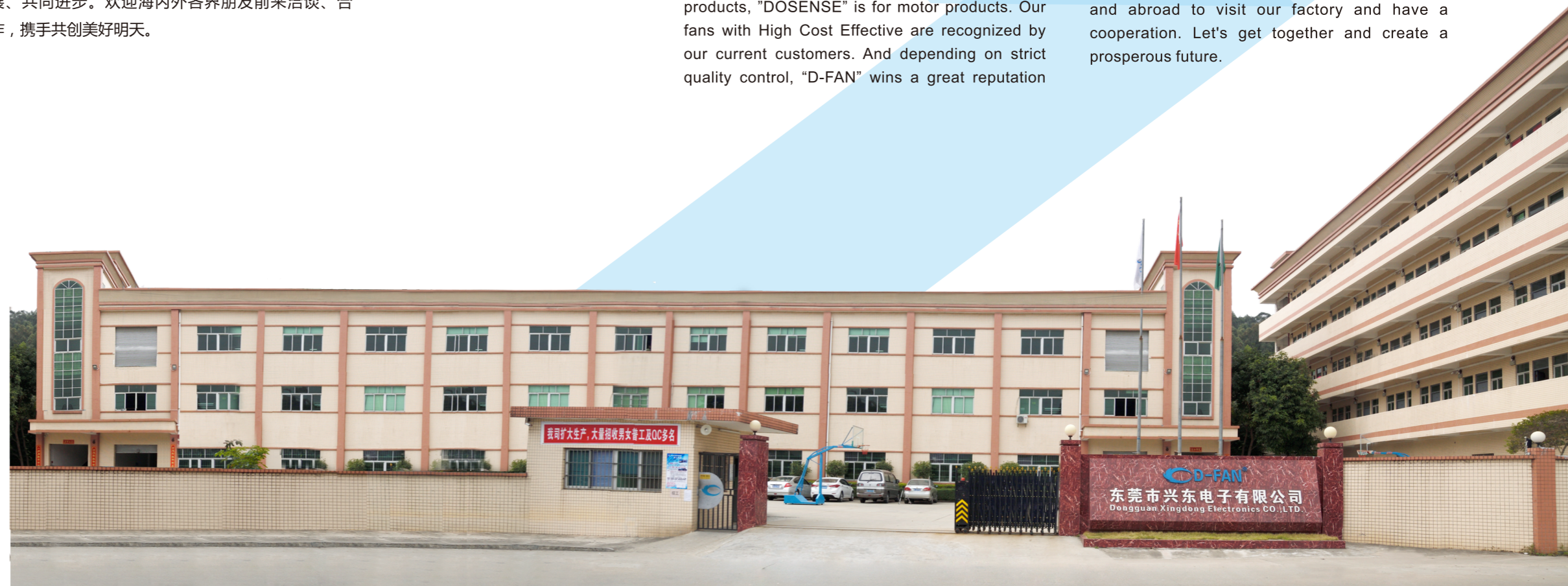
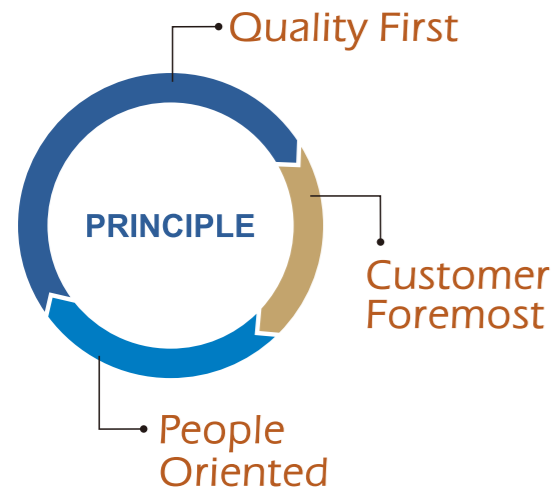
We, Dongguan Xingdong Electronics Co., Ltd., is a modernized manufacturing enterprise, whose founder possesses professional expertise in R&D and manufacture of cooling fans for more than 20 years. We are specialized in DC/AC/EC Axial fan, Cross Flow fan, Blower and Motor. Monthly capacity reaches up to 1.2 million pieces. Our fans are mainly used for the applications, which have to ventilate or dissipate the heat generated, in the categories of computer, power, home appliance, car, security, communication, medical, industrial control, electric power, printing, war industry, electric welding machine, instrument panel, etc.

Xingdong has two registered trademark, "D-FAN" and "DOSENSE". "D-FAN" is for fan products, "DOSENSE" is for motor products. Our fans with High Cost Effective are recognized by our current customers. And depending on strict quality control, "D-FAN" wins a great reputation

for "large air flow, lower noise, long lifetime and good stability". Our fans satisfy customized need for various functions of Auto-start , FG, RD, PWM , Dustproof , Waterproof product, etc. In addition, we provide with optimized cooling solutions and system for our customers.

We strictly obey ISO-9001 and ISO-14001 which ensure our quality guarantee to customers. Besides, our fans are acquired safety certification of CE, TUV and UL. Meanwhile all fans meet RoHS standard. And we always adhere to the principle of "Customer foremost, Quality first, People-oriented" and focus on the partnership and joint interests of customers with the view of joint development and progress.

Warmly welcome the friends both in China and abroad to visit our factory and have a cooperation. Let's get together and create a prosperous future.



# Testing Machines 检验设备



风洞测试仪 Pneumatic Testing Instrument



无响室 Anechoic Chamber



环保分析仪 RoHS Analysis Machine



防尘试验机  
Dustproof Testing Chamber



可程式恒温恒湿试验箱  
Programmable Constant Temperature  
and Humidity Testing Chamber



盐雾试验机  
Salt Spray Tester



包装箱双翼跌落试验机  
Dropping Tester

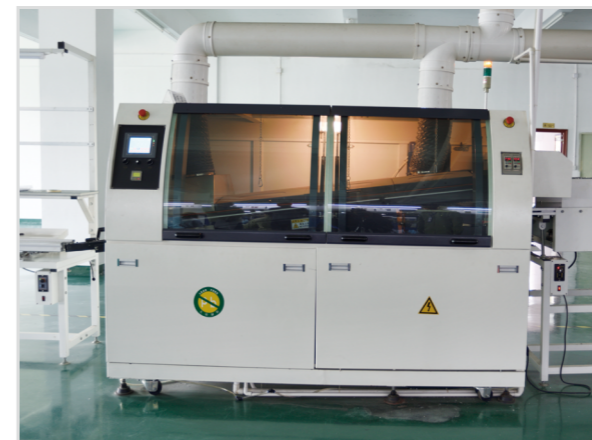
# Manufacturing 生产车间及设备



充磁 (Magnetizing)



多工位自动绕线机 (Auto-Winding Machine)



波峰焊 (Wave-Soldering Machine)



自动组装机 (Auto-Assembling Machine)



生产线 (Production Line) (1)

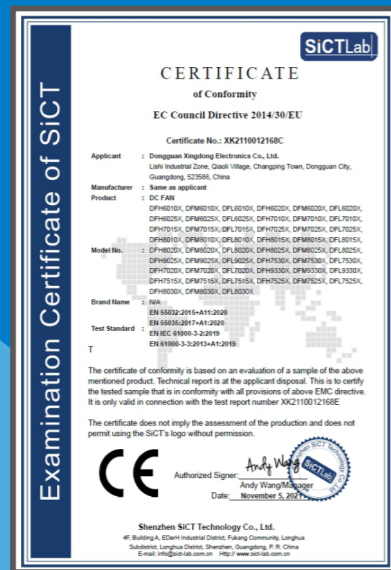
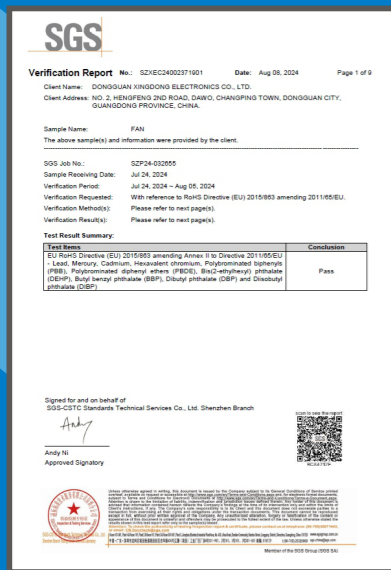
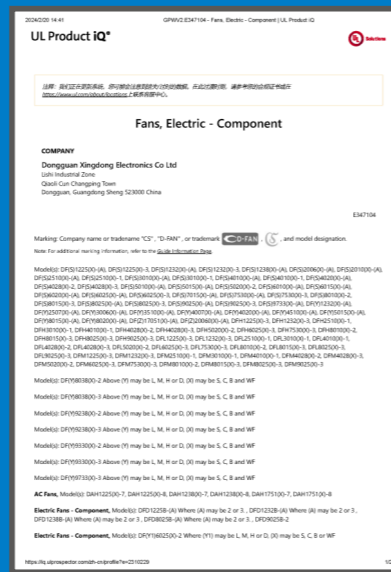
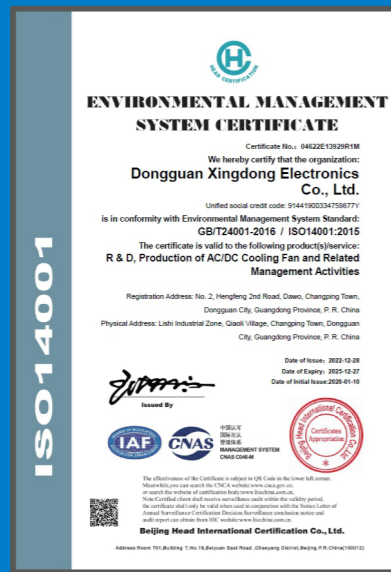
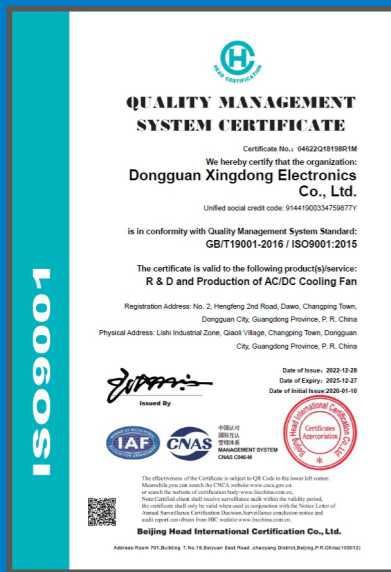


生产线 (Production Line) (2)



# Company & Product Certification

## 公司&产品认证



# Sales Area

## 销售区域

### Headquarter

#### 总部

- ▲ 东莞 ( Dongguan )

### Branch

#### 分支

- ▲ 东莞 ( Dongguan )
- 广州 ( Guangzhou )
- 韩国 ( South Korea )
- 台湾 ( Taiwan )

### Exportation

#### 外销

- 香港、韩国、日本、
- 东南亚 ( 越南、菲律宾、马来西亚 )
- 北美 ( 包括美国、加拿大 )
- 欧洲 ( 主要是英法德 )
- 南非
- HK, South Korea, Japan
- Southeast Asia ( Vietnam, Philippines, Malaysia )
- North America ( USA, Canada )
- Europe ( England, France, Germany )

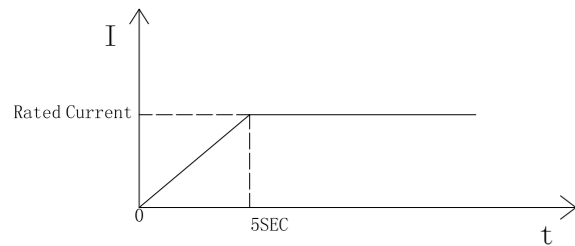


## 1. 软启动功能 ( Soft-start )

当为风扇供电时，电流为零开始逐渐增加，直到风扇达到最大转速和额定电流。启动的最大电流等于自由运行电流（或者少数情况下，转子锁定再启动）。风扇将在5~10秒内达到额定转速。

When power on the fan, the current is zero then begins to increase until reaching the maximum speed and rated current. The operating maximum current is equal to the freely running current( or in rare cases, rotor is stalled and then restart). The fan will reach the rated speed within 5~10 seconds.

Soft Start

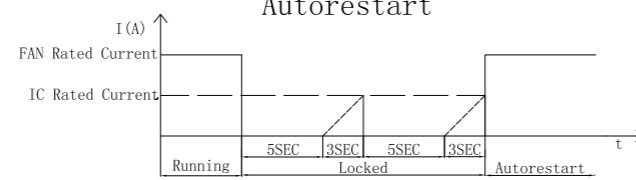


## 2. 自动启动功能 ( Auto-start )

自动启动功能保证风扇马达将自动重新启动，以防扇叶被阻塞。当转子被锁住，风扇的电流将会降低到零，且风扇隔5秒后重新启动。

Auto-start function will guarantee that the fan's auto-restart prevents from the blades being stalled. When rotor is stalled, the fan's current will low down to zero and then fan will restart after five seconds.

Autorestart

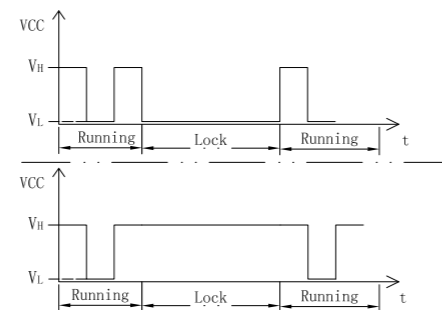
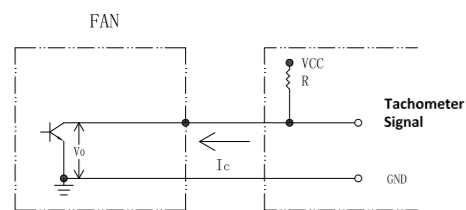


## 3. FG功能 ( Tachometer Signal )

集电极开路输出，连接到一个“上拉电阻”和设备的输入电源电压，输出提供一个方波信号，给系统提供风扇的转速。最大集电极电流 10 mA。设备的电源必须要与风扇接相同的地电位。

The open collector will provide a square signal to drive the speed when it is connected a “pull-up” resistor and is powered by a voltage which is compatible with the input of the reading device. The maximum collector's voltage is up to 72 VDC and the maximum collector's current is 10 mA. The power supply must have the same ground potential as the fan.

Tachometer Signal



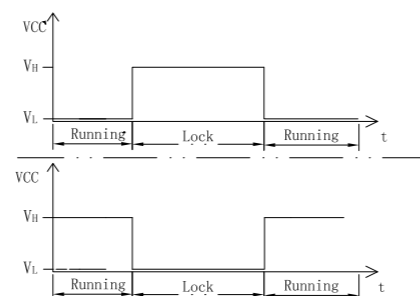
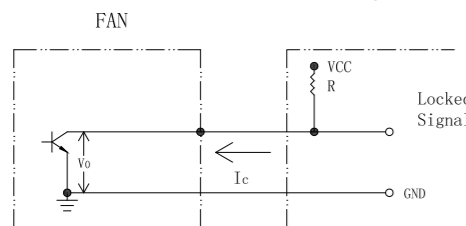
## 4. RD功能 ( Locked Rotor Signal )

集电极开路输出，连接到一个“上拉电阻”和设备的输入电源电压，输出一个高电平或者低电平，给系统提供风扇是否运转正常。

- 1、风扇运转时信号引脚输出低电平,风扇堵住时输出高电平。
- 2、风扇运转时信号引脚输出高电平,风扇堵住时输出低电平。

This is an open collector function with the same hardware as the FG function. The output signal is Low electric level when fan rotates. And when fan stalls, output signal is High electric level.

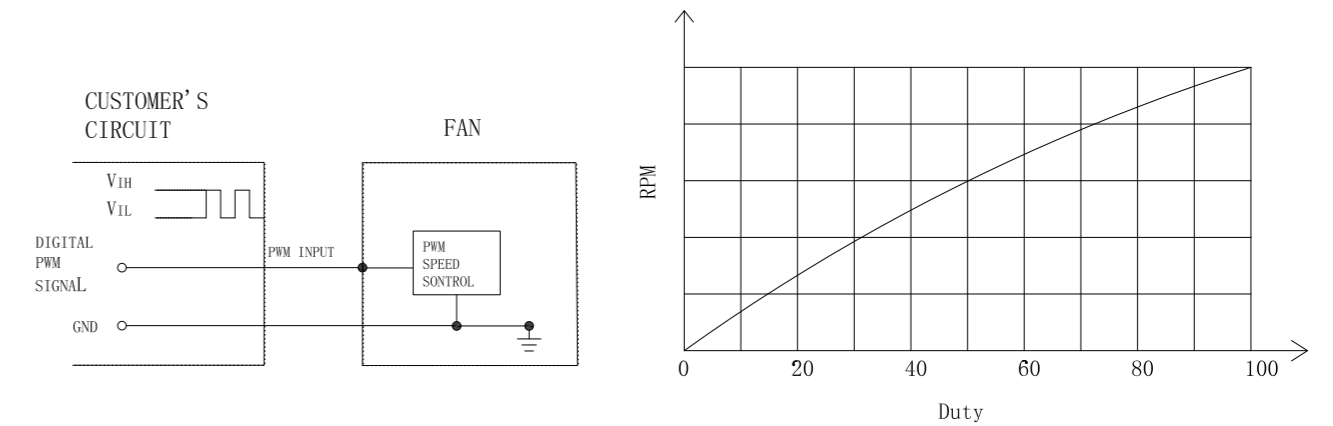
Tachometer Signal



## 5.PWM功能 ( Pulse Width Modulation )

PWM功能可以使用频率和高低压电平来控制风扇转速，在这种功能下，频率可从18K—30KHz调整，高电平电压范围可以从3V~10V调整，低电平范围≤0.8V。风扇转速可通过调整“占空比”来线性控制风扇转速，直到风扇最大转速。CS(恒速)、SS(软启动功能)和CL(限流)功能都可包含在内。PWM功能示例图如下：

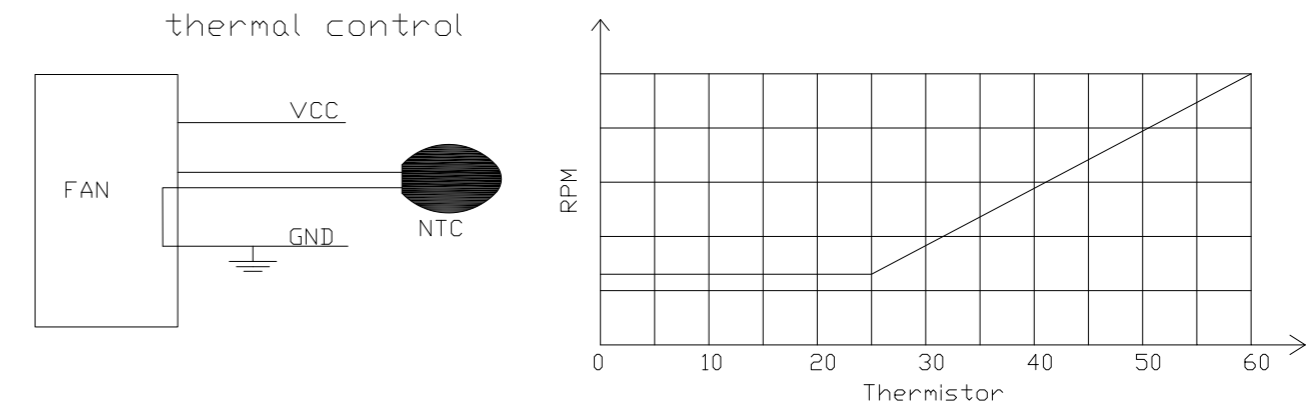
PWM function can use frequency and high-low electric level to control the fan's speed. Frequency can be adjusted from 18KHz to 30KHz, High electric level is from 3V to 10V and Low electric level is ≤0.8V. The control of fan's speed can be done by linearly adjusting “duty cycle” to reach maximum speed. CS (Constant Speed)、SS (Soft Start function) and CL (Current Limit) are included. PWM function's graph is as below:



## 6. 温控功能 ( Thermal Control )

当这种功能被应用时，风扇的转速受温度控制，不同的温度可对应不同的转速，CS(恒速)，SS(软启动功能)和CL(限流)功能都包含在内，主要是通过使用热敏电阻来达到这一目的。常见的制方式曲线图如下所示：

When this function is applied, the fan's speed is controlled by the temperature. Different temperature corresponds to different speed. CS (Constant Speed)、SS (Soft Start Function) and CL (Current Limited) are included. The principle is to utilize a thermal resistor to perform this function. The graph of common controlling way is as below:



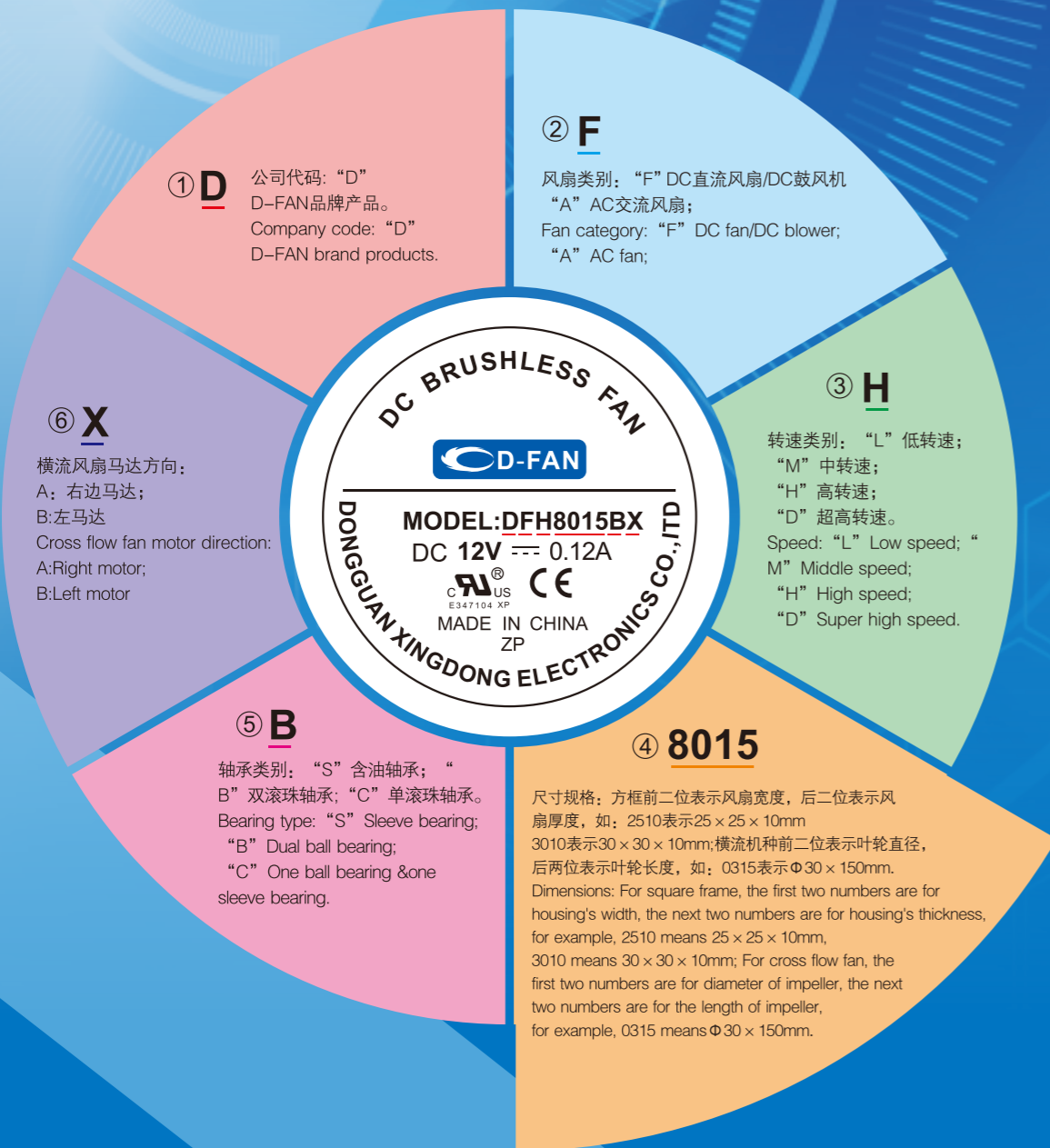


## Model Numbering System

### 产品编号原则

Ex: **D F H 8015 B X**

① ② ③ ④ ⑤ ⑥



# INDEX

## 目录

DC轴流风扇 DC Axial Fan	DC鼓风机 DC Blower	EC轴流风扇 EC Axial Fan
2006 -----1P	2006 -----49P	6025 -----102P
2010 -----2P	3507 -----50P	8025 -----103P
2507 -----3P	3510 -----51P	8038 -----104P
2510 -----4P	4008 -----52P	9225 -----105P
3006 -----5P	4010 -----53P	9238 -----106P
3007 -----6P	4020 -----54P	1238 -----107P
3010 -----7P	4506-A -----55P	
3510 -----8P	4506-B -----56P	
4007 -----9P	5008-B -----57P	
4010-A -----10P	5008-C -----58P	
4010-B -----11P	5010 -----59P	
4015 -----12P	5015-A -----60P	
4020 -----13P	5015-B -----61P	
4028 -----14P	5016 -----62P	
4510 -----15P	5020-A -----63P	
5010 -----16P	5020-B -----64P	
5015-A -----17P	5025-A -----65P	
5015-B -----18P	5025-B -----66P	
5020 -----19P	6006 -----67P	
5025 -----20P	6008 -----68P	
6010 -----21P	6015-A -----69P	
6015 -----22P	6015-B -----70P	
6020 -----23P	6015宽口 -----71P	
6025 -----24P	6020 -----72P	
6038 -----25P	6020宽口 -----73P	
7010 -----26P	6025 -----74P	
7015 -----27P	6028-A -----75P	
7020 -----28P	6028-B -----76P	
7025 -----29P	6028宽口 -----77P	
7038 -----30P	7515 -----78P	
8010 -----31P	7525 -----79P	
8015 -----32P	7525短嘴 -----80P	
8020 -----33P	7530-A -----81P	
8025-A -----34P	7530-B -----82P	
8025-B -----35P	8020-A -----83P	
8038 -----36P	8025 -----84P	
9025-A -----37P	8030-A -----85P	
9025-B -----38P	8030-B -----86P	
9238 -----39P	9330-A -----87P	
1225-A -----40P	9330-C -----88P	
1225-B -----41P	9733 -----89P	
1232 -----42P	10033 -----90P	
1238-A -----43P	1232 -----91P	
1238-B -----44P	1615 -----92P	
1425 -----45P		
1438 -----46P		
1751 -----47P		
20060 -----48P		

横流风扇 DC/AC Cross Flow Fan
25系列 -----108P
30系列 -----109P
30系列 -----110P
40系列 -----111P
30系列 -----112P
40系列 -----113P
60系列 -----114P

支架风扇 Frameless Fan
6005 -----115P
2709 -----116P
3010 -----116P
3709 -----116P
4010 -----116P
5010 -----116P
6010 -----116P
6025 -----116P
7015 -----117P
8015 -----117P
8025 -----117P
5032碟形 -----118P
8030碟形 -----118P
9025 -----118P
9025碟形 -----118P
1225 -----118P
1025碟形 -----118P
12025 -----118P
1225碟形 -----118P
1525碟形 -----118P
12538离心 -----118P

网罩 Metal Fan Guard
40mm -----119P
50mm -----119P
60mm -----119P
70mm -----119P
80mm -----119P
92mm -----119P
120mm -----119P
170mm -----119P
200mm -----119P

AC轴流风扇 AC Axial Fan
8025 -----93P
8038 -----94P
9225 -----95P
9238 -----96P
1225 -----97P
1238 -----98P
1738 -----99P
1751 -----100P
2260 -----101P

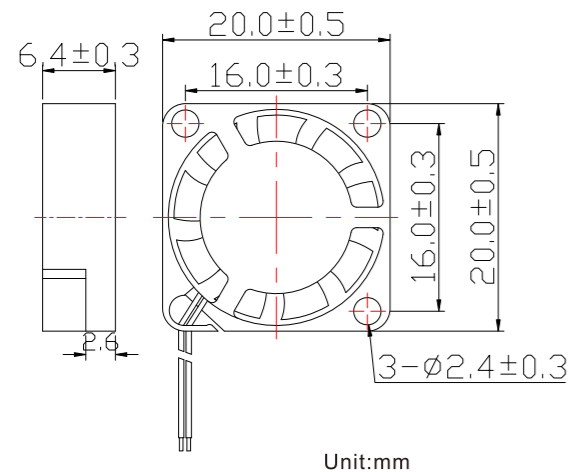
# 2006



### General Specifications (一般规格)

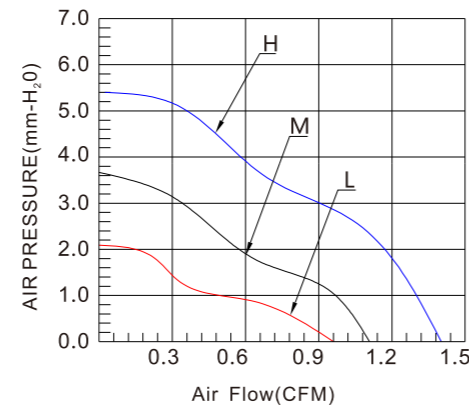
- ◆Material:  
Frame And Impeller:Thermal Plastic UL 94-0
- ◆Lead Wires:UL Type  
RED Wire Positive(+)  
Black Wire Negative(-)
- ◆Insulation Resistance:10MΩ Or Over With a DC250V Megger
- ◆Dielectric Withstand Voltage:AC500V 1S
- ◆Allowable Ambient Temperature Range:  
-10°C ~ +70°C(Operating)  
-40°C ~ +70°C(Storage)

### Dimensions Drawing(外观图)



Unit:mm

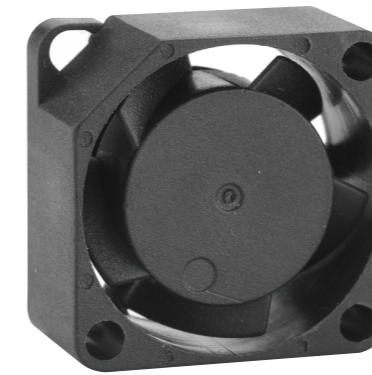
### Characteristic Curves (特性曲线)



### Specifications/规格

型号 Model	轴承类型 Bearing Type	电压 Rated Voltage VDC	电压范围 Operation Voltage VDC	电流 Current A	转速 Speed RPM	风量 Air Flow CFM	风压 Static Pressure mmH <sub>2</sub> O	噪音 Noise Level dBA	重量 Weight g
DFH2006S	Sleeve	5	4.5~5.5	0.22	15000	1.41	5.22	33.7	4
DFM2006S				0.17	12000	1.02	3.69	26.9	
DFL2006S				0.12	9000	0.77	2.02	20.3	
DFH2006S	Hydraulic			0.22	15000	1.41	5.22	33.7	
DFM2006S				0.17	12000	1.02	3.69	26.9	
DFL2006S				0.12	9000	0.77	2.02	20.3	

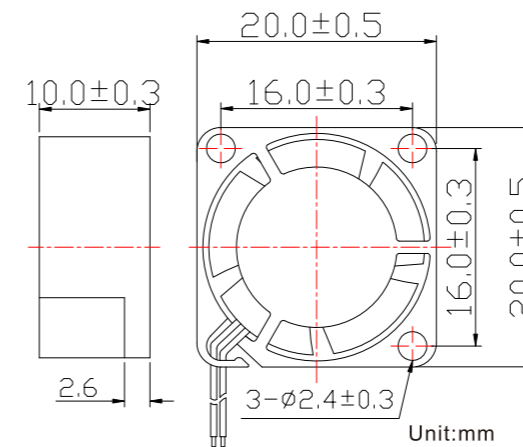
# 2010



### General Specifications (一般规格)

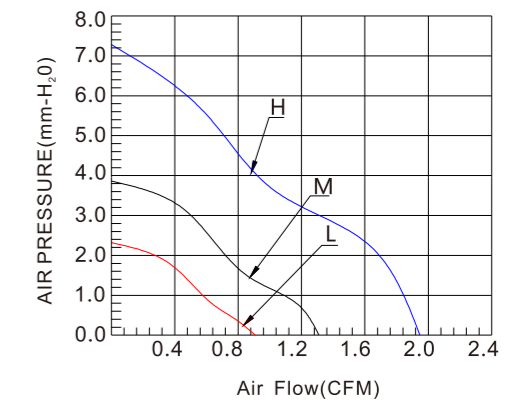
- ◆Material:  
Frame And Impeller:Thermal Plastic UL 94-0
- ◆Lead Wires:UL Type  
RED Wire Positive(+)  
Black Wire Negative(-)
- ◆Insulation Resistance:10MΩ Or Over With a DC250V Megger
- ◆Dielectric Withstand Voltage:AC500V 1S
- ◆Allowable Ambient Temperature Range:  
-10°C ~ +70°C(Operating)  
-40°C ~ +70°C(Storage)

### Dimensions Drawing(外观图)



Unit:mm

### Characteristic Curves (特性曲线)



### Specifications/规格

型号 Model	轴承类型 Bearing Type	电压 Rated Voltage VDC	电压范围 Operation Voltage VDC	电流 Current A	转速 Speed RPM	风量 Air Flow CFM	风压 Static Pressure mmH <sub>2</sub> O	噪音 Noise Level dBA	重量 Weight g		
DFH2010S	Sleeve	5	4.5~5.5	0.20	18000	1.89	7.23	37.3	5.5		
DFM2010S				0.15	12000	1.27	3.93	27.1			
DFL2010S				0.10	9000	0.85	2.32	20.6			
DFH2010S				12	10.8~13.2	0.15	18000	1.89		7.23	37.3
DFM2010S						0.10	12000	1.27		3.93	27.1
DFL2010S						0.07	9000	0.85		2.32	20.6
DFH2010S	Hydraulic	5	4.5~5.5	0.20		18000	1.89	7.23		37.3	
DFM2010S				0.15		12000	1.27	3.93		27.1	
DFL2010S				0.10		9000	0.85	2.32		20.6	
DFH2010S				12	10.8~13.2	0.15	18000	1.89		7.23	37.3
DFM2010S						0.10	12000	1.27		3.93	27.1
DFL2010S						0.07	9000	0.85		2.32	20.6

Notes:1. The parameters listed above are for reference. 2. Individual specification will be according to approval sheet provided or customers requirement.

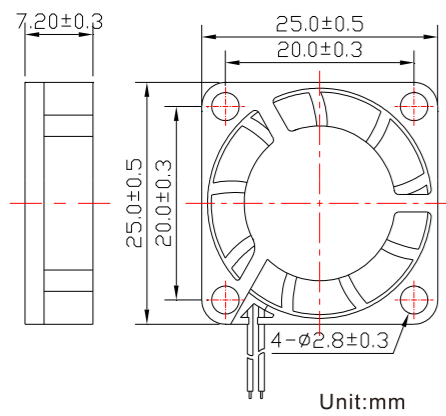
# 2507



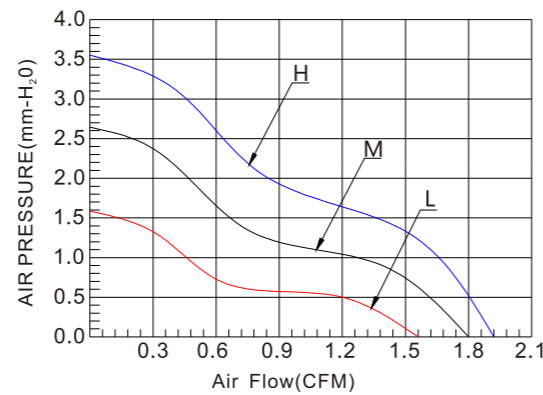
### General Specifications (一般规格)

- ◆Material:  
Frame And Impeller:Thermal Plastic UL 94-0
- ◆Lead Wires:UL Type  
RED Wire Positive(+)  
Black Wire Negative(-)
- ◆Insulation Resistance:10MΩ Or Over With a DC250V Megger
- ◆Dielectric Withstand Voltage:AC500V 1S
- ◆Allowable Ambient Temperature Range:  
-10°C ~ +70°C(Operating)  
-40°C ~ +70°C(Storage)

### Dimensions Drawing(外观图)



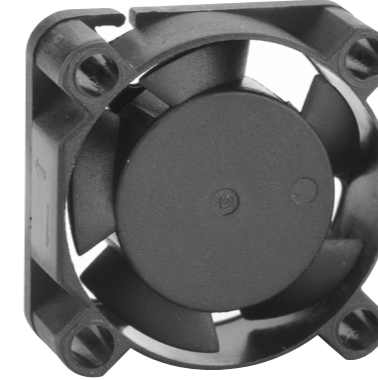
### Characteristic Curves (特性曲线)



### Specifications/规格

型号 Model	轴承类型 Bearing Type	电压 Rated Voltage	电压范围 Operation Voltage	电流 Current	转速 Speed	风量 Air Flow	风压 Static Pressure	噪音 Noise Level	重量 Weight
		VDC	VDC	A	RPM	CFM	mmH <sub>2</sub> O	dBA	g
DFH2507S	Sleeve	5	4.5~5.5	0.20	10000	1.92	3.55	22.5	6
DFM2507S				0.16	9000	1.80	2.64	20.6	
DFL2507S				0.14	8000	1.60	1.58	20.1	
DFH2507S		12	10.8~13.2	0.15	10000	1.92	3.55	22.5	
DFM2507S				0.12	9000	1.80	2.64	20.6	
DFL2507S				0.09	8000	1.60	1.58	20.1	

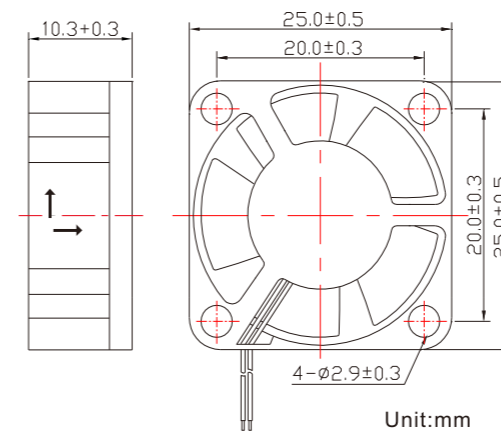
# 2510



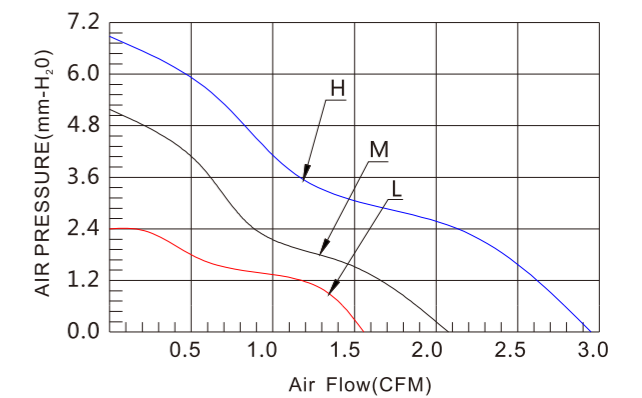
### General Specifications (一般规格)

- ◆Material:  
Frame And Impeller:Thermal Plastic UL 94-0
- ◆Lead Wires:UL Type  
RED Wire Positive(+)  
Black Wire Negative(-)
- ◆Insulation Resistance:10MΩ Or Over With a DC250V Megger
- ◆Dielectric Withstand Voltage:AC500V 1S
- ◆Allowable Ambient Temperature Range:  
-10°C ~ +70°C(Operating)  
-40°C ~ +70°C(Storage)

### Dimensions Drawing(外观图)



### Characteristic Curves (特性曲线)



### Specifications/规格

型号 Model	轴承类型 Bearing Type	电压 Rated Voltage	电压范围 Operation Voltage	电流 Current	转速 Speed	风量 Air Flow	风压 Static Pressure	噪音 Noise Level	重量 Weight
		VDC	VDC	A	RPM	CFM	mmH <sub>2</sub> O	dBA	g
DFH2510S	Sleeve	5	4.5~5.5	0.20	13000	2.90	6.93	30.8	6
DFM2510S				0.16	10000	2.22	5.01	24.1	
DFL2510S				0.14	7000	1.53	2.40	18.9	
DFH2510B	Ball			0.20	13000	2.90	6.93	30.8	
DFM2510B				0.16	10000	2.22	5.01	24.1	
DFL2510B				0.14	7000	1.53	2.40	18.9	
DFH2510S	Sleeve	12	10.8~13.2	0.12	13000	2.90	6.93	30.8	
DFM2510S				0.10	10000	2.22	5.01	24.1	
DFL2510S				0.08	7000	1.53	2.40	18.9	
DFH2510B	Ball			0.12	13000	2.90	6.93	30.8	
DFM2510B				0.10	10000	2.22	5.01	24.1	
DFL2510B				0.08	7000	1.53	2.40	18.9	

Notes:1. The parameters listed above are for reference. 2. Individual specification will be according to approval sheet provided or customers requirement.

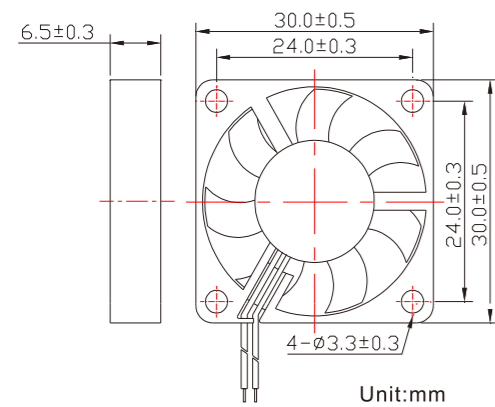
# 3006



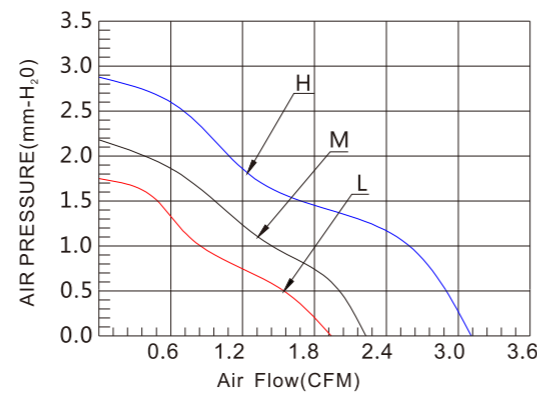
### General Specifications (一般规格)

- ◆Material:  
Frame And Impeller:Thermal Plastic UL 94-0
- ◆Lead Wires:UL Type  
RED Wire Positive(+)  
Black Wire Negative(-)
- ◆Insulation Resistance:10MΩ Or Over With a DC250V Megger
- ◆Dielectric Withstand Voltage:AC500V 1S
- ◆Allowable Ambient Temperature Range:  
-10°C ~ +70°C(Operating)  
-40°C ~ +70°C(Storage)

### Dimensions Drawing(外观图)



### Characteristic Curves (特性曲线)



### Specifications/规格

型号 Model	轴承类型 Bearing Type	电压 Rated Voltage VDC	电压范围 Operation Voltage VDC	电流 Current A	转速 Speed RPM	风量 Air Flow CFM	风压 Static Pressure mmH <sub>2</sub> O	噪音 Noise Level dBA	重量 Weight g
DFH3006S	Sleeve	5	4.5~5.5	0.20	8000	3.09	2.87	25.4	7
DFM3006S				0.16	6000	2.32	2.15	21.3	
DFL3006S				0.12	5000	1.93	1.79	20.1	
DFH3006S	Hydraulic			0.20	8000	3.09	2.87	25.4	
DFM3006S				0.16	6000	2.32	2.15	21.3	
DFL3006S				0.12	5000	1.93	1.79	20.1	
DFH3006S	Sleeve	12	10.8~13.2	0.10	8000	3.09	2.87	25.4	
DFM3006S				0.08	6000	2.32	2.15	21.3	
DFL3006S				0.06	5000	1.93	1.79	20.1	
DFH3006S	Hydraulic			0.10	8000	3.09	2.87	25.4	
DFM3006S				0.08	6000	2.32	2.15	21.3	
DFL3006S				0.06	5000	1.93	1.79	20.1	

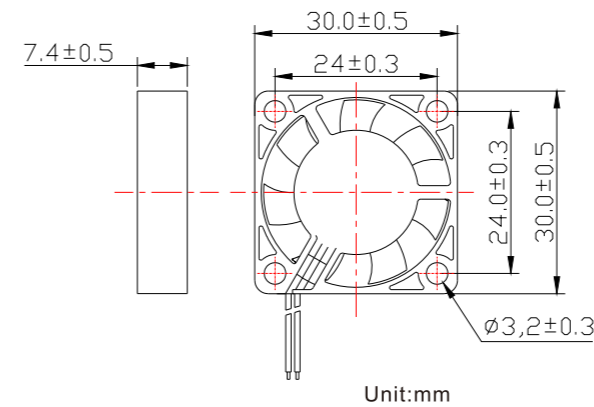
# 3007



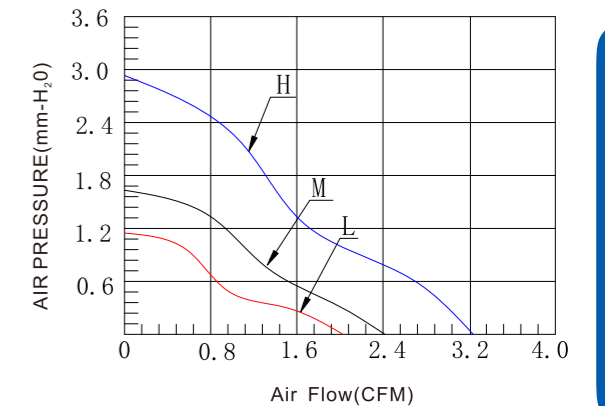
### General Specifications (一般规格)

- ◆Material:  
Frame And Impeller:Thermal Plastic UL 94-0
- ◆Lead Wires:UL Type  
RED Wire Positive(+)  
Black Wire Negative(-)
- ◆Insulation Resistance:10MΩ Or Over With a DC250V Megger
- ◆Dielectric Withstand Voltage:AC500V 1S
- ◆Allowable Ambient Temperature Range:  
-10°C ~ +70°C(Operating)  
-40°C ~ +70°C(Storage)

### Dimensions Drawing(外观图)



### Characteristic Curves (特性曲线)



### Specifications/规格

型号 Model	轴承类型 Bearing Type	电压 Rated Voltage VDC	电压范围 Operation Voltage VDC	电流 Current A	转速 Speed RPM	风量 Air Flow CFM	风压 Static Pressure mmH <sub>2</sub> O	噪音 Noise Level dBA	重量 Weight g
DFH3007S	Hydraulic	5	4.5~5.5	0.20	8000	3.24	2.93	27.1	7
DFM3007S				0.16	6000	2.43	1.66	21.4	
DFL3007S				0.12	5000	2.04	1.15	18.5	
DFH3007S		12	10.8~13.2	0.10	8000	3.24	2.93	27.1	
DFM3007S				0.08	6000	2.43	1.66	21.4	
DFL3007S				0.06	5000	2.04	1.15	18.5	

Notes: 1. The parameters listed above are for reference. 2. Individual specification will be according to approval sheet provided or customers requirement.

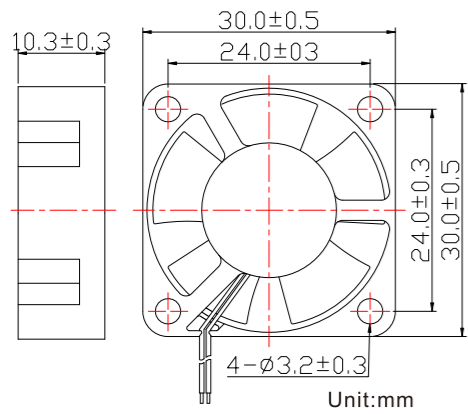
# 3010



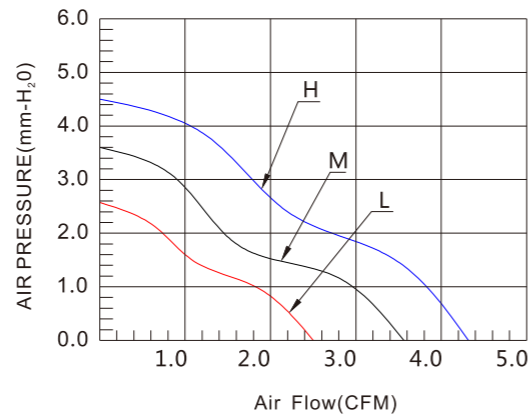
### General Specifications (一般规格)

- ◆Material:  
Frame And Impeller:Thermal Plastic UL 94-0
- ◆Lead Wires:UL Type  
RED Wire Positive(+)  
Black Wire Negative(-)
- ◆Insulation Resistance:10MΩ Or Over With a DC250V Megger
- ◆Dielectric Withstand Voltage:AC500V 1S
- ◆Allowable Ambient Temperature Range:  
-10°C ~ +70°C(Operating)  
-40°C ~ +70°C(Storage)

### Dimensions Drawing(外观图)



### Characteristic Curves (特性曲线)



### Specifications/规格

型号 Model	轴承类型 Bearing Type	电压 Rated Voltage	电压范围 Operation Voltage	电流 Current	转速 Speed	风量 Air Flow	风压 Static Pressure	噪音 Noise Level	重量 Weight
		VDC	VDC	A	RPM	CFM	mmH <sub>2</sub> O	dBA	g
DFH3010S	Sleeve	5	4.5 ~ 5.5	0.20	9500	4.23	4.47	28.5	8
DFM3010S				0.16	8000	3.56	3.76	23.2	
DFL3010S				0.14	5500	2.45	2.59	20.3	
DFH3010B	Ball			0.20	9500	4.32	4.47	28.5	
DFM3010B				0.16	8000	3.56	3.76	23.2	
DFL3010B				0.14	5500	2.45	2.59	20.3	
DFH3010S	Sleeve	12	10.8 ~ 13.2	0.12	9500	4.23	4.47	28.5	
DFM3010S				0.10	8000	3.56	3.76	23.2	
DFL3010S				0.08	5500	2.45	2.59	20.3	
DFH3010B	Ball			0.12	9500	4.23	4.47	28.5	
DFM3010B				0.10	8000	3.56	3.76	23.2	
DFL3010B				0.08	5500	2.45	2.59	20.3	

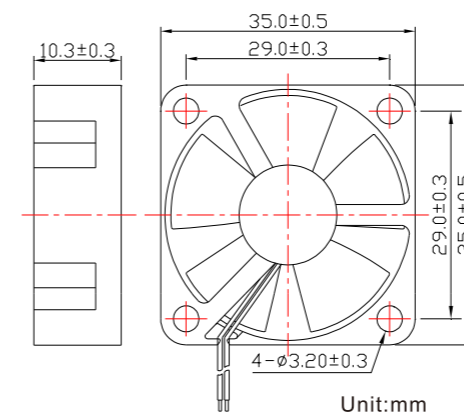
# 3510



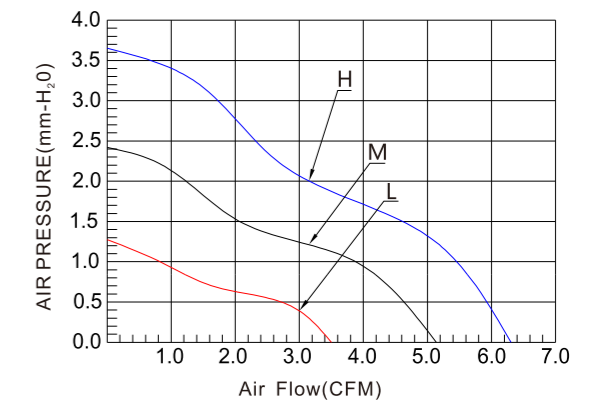
### General Specifications (一般规格)

- ◆Material:  
Frame And Impeller:Thermal Plastic UL 94-0
- ◆Lead Wires:UL Type  
RED Wire Positive(+)  
Black Wire Negative(-)
- ◆Insulation Resistance:10MΩ Or Over With a DC250V Megger
- ◆Dielectric Withstand Voltage:AC500V 1S
- ◆Allowable Ambient Temperature Range:  
-10°C ~ +70°C(Operating)  
-40°C ~ +70°C(Storage)

### Dimensions Drawing(外观图)



### Characteristic Curves (特性曲线)



### Specifications/规格

型号 Model	轴承类型 Bearing Type	电压 Rated Voltage	电压范围 Operation Voltage	电流 Current	转速 Speed	风量 Air Flow	风压 Static Pressure	噪音 Noise Level	重量 Weight
		VDC	VDC	A	RPM	CFM	mmH <sub>2</sub> O	dBA	g
DFH3510S	Sleeve	5	4.5 ~ 5.5	0.30	9000	6.30	3.68	32.4	9
DFM3510S				0.22	7000	5.06	2.44	25.9	
DFL3510S				0.13	5000	3.51	1.28	20.3	
DFH3510B	Ball			0.30	9000	6.30	3.68	32.4	
DFM3510B				0.22	7000	5.06	2.44	25.9	
DFL3510B				0.13	5000	3.51	1.28	20.3	
DFH3510S	Sleeve	12	10.8 ~ 13.2	0.15	9000	6.30	3.68	32.4	
DFM3510S				0.10	7000	5.06	2.44	25.9	
DFL3510S				0.08	5000	3.51	1.28	20.3	
DFH3510B	Ball			0.15	9000	6.30	3.68	32.4	
DFM3510B				0.10	7000	5.06	2.44	25.9	
DFL3510B				0.08	5000	3.51	1.28	20.3	

Notes:1. The parameters listed above are for reference. 2. Individual specification will be according to approval sheet provided or customers requirement.

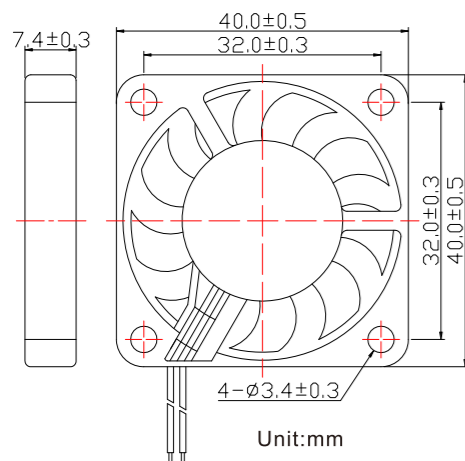
# 4007



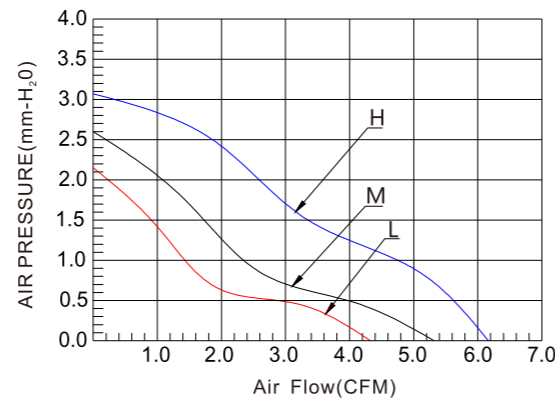
### General Specifications (一般规格)

- ◆Material:  
Frame And Impeller:Thermal Plastic UL 94-0
- ◆Lead Wires:UL Type  
RED Wire Positive(+)  
Black Wire Negative(-)
- ◆Insulation Resistance:10MΩ Or Over With a DC250V Megger
- ◆Dielectric Withstand Voltage:AC500V 1S
- ◆Allowable Ambient Temperature Range:  
-10°C ~ +70°C(Operating)  
-40°C ~ +70°C(Storage)

### Dimensions Drawing(外观图)



### Characteristic Curves (特性曲线)



### Specifications/规格

型号 Model	轴承类型 Bearing Type	电压 Rated Voltage	电压范围 Operation Voltage	电流 Current	转速 Speed	风量 Air Flow	风压 Static Pressure	噪音 Noise Level	重量 Weight
		VDC	VDC	A	RPM	CFM	mmH <sub>2</sub> O	dBA	g
DFH4007S	Sleeve	5	4.5~5.5	0.26	7000	6.07	3.03	31.6	8.5
DFM4007S				0.20	6000	5.20	2.60	27.1	
DFL4007S				0.12	5000	4.34	2.17	20.6	
DFH4007S		12	10.8~13.2	0.13	7000	6.07	3.03	31.6	
DFM4007S				0.10	6000	5.20	2.60	27.1	
DFL4007S				0.07	5000	4.34	2.17	22.6	

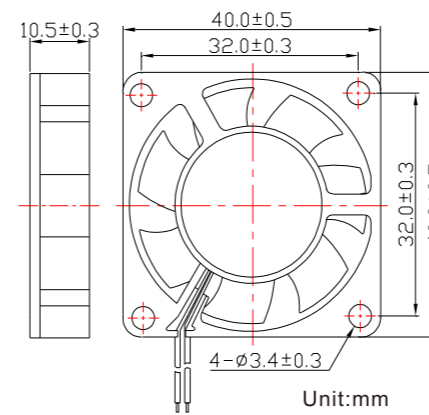
# 4010-A



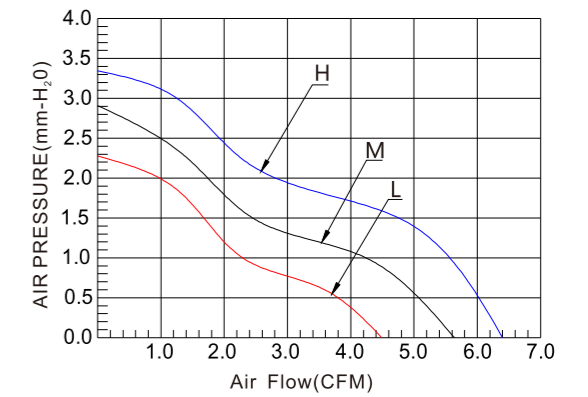
### General Specifications (一般规格)

- ◆Material:  
Frame And Impeller:Thermal Plastic UL 94-0
- ◆Lead Wires:UL Type  
RED Wire Positive(+)  
Black Wire Negative(-)
- ◆Insulation Resistance:10MΩ Or Over With a DC250V Megger
- ◆Dielectric Withstand Voltage:AC500V 1S
- ◆Allowable Ambient Temperature Range:  
-10°C ~ +70°C(Operating)  
-40°C ~ +70°C(Storage)

### Dimensions Drawing(外观图)



### Characteristic Curves (特性曲线)



### Specifications/规格

型号 Model	轴承类型 Bearing Type	电压 Rated Voltage	电压范围 Operation Voltage	电流 Current	转速 Speed	风量 Air Flow	风压 Static Pressure	噪音 Noise Level	重量 Weight
		VDC	VDC	A	RPM	CFM	mmH <sub>2</sub> O	dBA	g
DFH4010S	Sleeve	5	4.5~5.5	0.24	6000	6.40	3.31	26.3	18
DFM4010S				0.18	5400	5.62	2.91	24.8	
DFL4010S				0.12	4200	4.48	2.32	21.1	
DFH4010B	Ball			0.24	6000	6.40	3.31	26.3	
DFM4010B				0.18	5400	5.62	2.91	24.8	
DFL4010B				0.12	4200	4.48	2.32	21.1	
DFH4010S	Sleeve	12	10.8~13.2	0.10	6000	6.40	3.31	26.3	
DFM4010S				0.08	5400	5.62	2.91	24.8	
DFL4010S				0.06	4200	4.48	2.32	21.1	
DFH4010B	Ball			0.10	6000	6.40	3.31	26.3	
DFM4010B				0.08	5400	5.62	2.91	24.8	
DFL4010B				0.06	4200	4.48	2.32	21.1	

Notes:1. The parameters listed above are for reference. 2. Individual specification will be according to approval sheet provided or customers requirement.

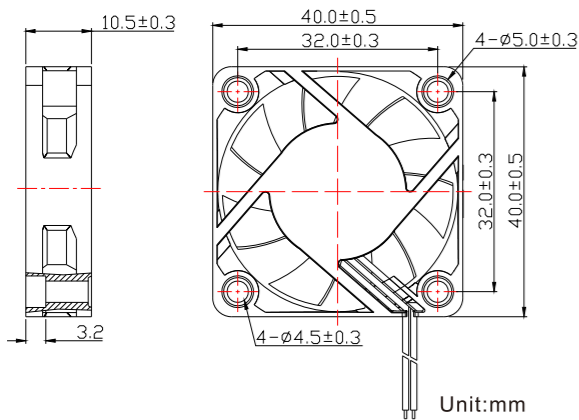
# 4010-B



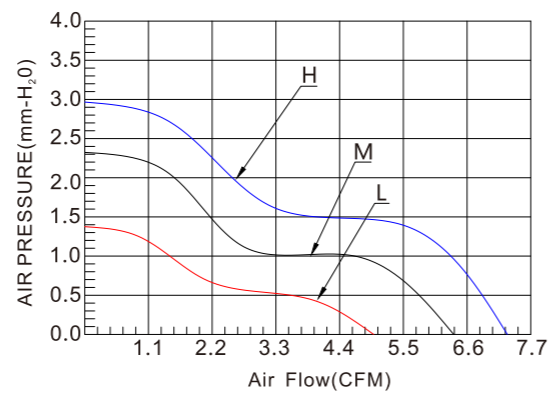
### General Specifications (一般规格)

- ◆Material:  
Frame And Impeller:Thermal Plastic UL 94-0
- ◆Lead Wires:UL Type  
RED Wire Positive(+)  
Black Wire Negative(-)
- ◆Insulation Resistance:10MΩ Or Over With a DC250V Megger
- ◆Dielectric Withstand Voltage:AC500V 1S
- ◆Allowable Ambient Temperature Range:  
-10°C ~ +70°C(Operating)  
-40°C ~ +70°C(Storage)

### Dimensions Drawing(外观图)



### Characteristic Curves (特性曲线)



### Specifications/规格

型号 Model	轴承类型 Bearing Type	电压 Rated Voltage	电压范围 Operation Voltage	电流 Current	转速 Speed	风量 Air Flow	风压 Static Pressure	噪音 Noise Level	重量 Weight
		VDC	VDC	A	RPM	CFM	mmH <sub>2</sub> O	dBA	g
DFH4010S	Sleeve	5	4.5 ~ 5.5	0.24	6000	7.21	2.85	28.3	18
DFM4010S				0.18	5400	6.49	2.31	26.0	
DFL4010S				0.12	4200	5.05	1.39	20.6	
DFH4010B	Ball			0.24	6000	7.21	2.85	28.3	
DFM4010B				0.18	5400	6.49	2.31	26.0	
DFL4010B				0.12	4200	5.05	1.39	20.6	
DFH4010S	Sleeve	12	10.8 ~ 13.2	0.10	6000	7.21	2.85	28.3	
DFM4010S				0.08	5400	6.49	2.31	26.0	
DFL4010S				0.06	4200	5.05	1.39	20.6	
DFH4010B	Ball			0.10	6000	7.21	2.85	28.3	
DFM4010B				0.08	5400	6.49	2.31	26.0	
DFL4010B				0.06	4200	5.05	1.39	20.6	

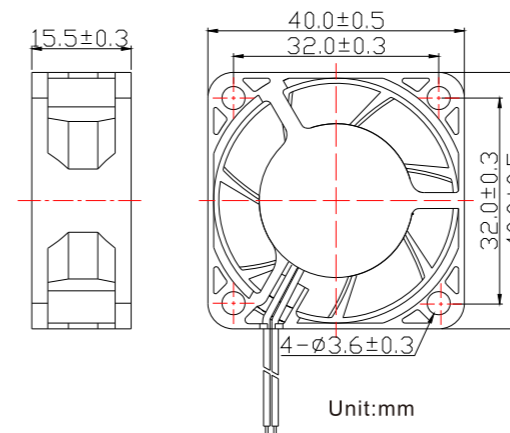
# 4015



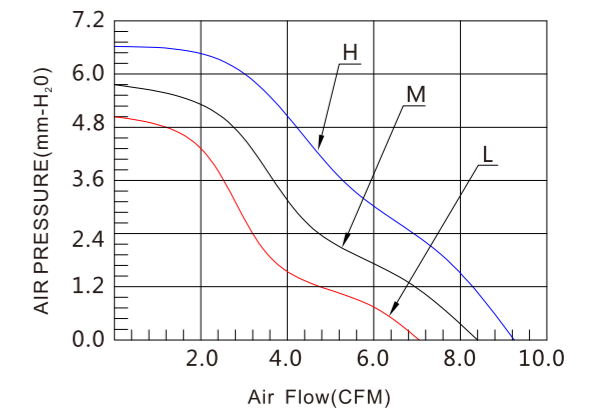
### General Specifications (一般规格)

- ◆Material:  
Frame And Impeller:Thermal Plastic UL 94-0
- ◆Lead Wires:UL Type  
RED Wire Positive(+)  
Black Wire Negative(-)
- ◆Insulation Resistance:10MΩ Or Over With a DC250V Megger
- ◆Dielectric Withstand Voltage:AC500V 1S
- ◆Allowable Ambient Temperature Range:  
-10°C ~ +70°C(Operating)  
-40°C ~ +70°C(Storage)

### Dimensions Drawing(外观图)



### Characteristic Curves (特性曲线)



### Specifications/规格

型号 Model	轴承类型 Bearing Type	电压 Rated Voltage	电压范围 Operation Voltage	电流 Current	转速 Speed	风量 Air Flow	风压 Static Pressure	噪音 Noise Level	重量 Weight
		VDC	VDC	A	RPM	CFM	mmH <sub>2</sub> O	dBA	g
DFH4015S	Sleeve	5	4.5 ~ 5.5	0.27	8000	9.18	6.56	33.7	21
DFM4015S				0.22	7000	8.02	5.73	29.5	
DFL4015S				0.16	6000	6.88	4.92	25.3	
DFH4015B	Ball			0.27	8000	9.18	6.56	33.7	
DFM4015B				0.22	7000	8.02	5.73	29.5	
DFL4015B				0.16	6000	6.88	4.92	25.3	
DFH4015S	Sleeve	12	10.8 ~ 13.2	0.13	8000	9.18	6.56	33.7	
DFM4015S				0.10	7000	8.02	5.73	29.5	
DFL4015S				0.08	6000	6.88	4.92	25.3	
DFH4015B	Ball			0.13	8000	9.18	6.56	33.7	
DFM4015B				0.10	7000	8.02	5.73	29.5	
DFL4015B				0.08	6000	6.88	4.92	25.3	

Notes:1. The parameters listed above are for reference. 2. Individual specification will be according to approval sheet provided or customers requirement.

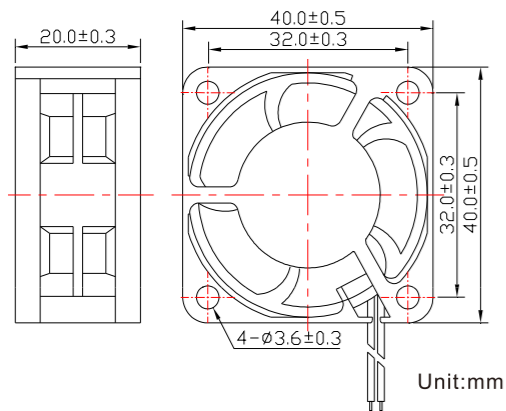
# 4020



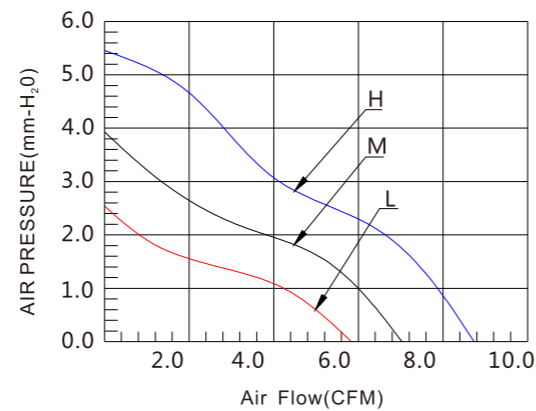
### General Specifications (一般规格)

- ◆Material:  
Frame And Impeller:Thermal Plastic UL 94-0
- ◆Lead Wires:UL Type  
RED Wire Positive(+)  
Black Wire Negative(-)
- ◆Insulation Resistance:10MΩ Or Over With a DC250V Megger
- ◆Dielectric Withstand Voltage:AC500V 1S
- ◆Allowable Ambient Temperature Range:  
-10°C ~ +70°C(Operating)  
-40°C ~ +70°C(Storage)

### Dimensions Drawing(外观图)



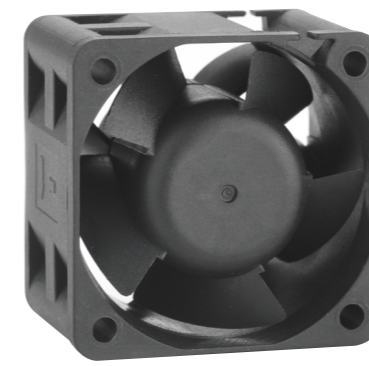
### Characteristic Curves (特性曲线)



### Specifications/规格

型号 Model	轴承类型 Bearing Type	电压 Rated Voltage	电压范围 Operation Voltage	电流 Current	转速 Speed	风量 Air Flow	风压 Static Pressure	噪音 Noise Level	重量 Weight
		VDC	VDC	A	RPM	CFM	mmH <sub>2</sub> O	dBA	
DFH4020S	Sleeve	5	4.5 ~ 5.5	0.26	7500	8.60	5.58	33.6	23
DFM4020S				0.20	6200	7.10	3.98	29.1	
DFL4020S				0.14	5000	5.70	2.54	25.5	
DFH4020B	Ball			0.26	7500	8.60	5.58	33.6	
DFM4020B				0.20	6200	7.10	3.98	29.1	
DFL4020B				0.14	5000	5.70	2.54	25.5	
DFH4020S	Sleeve	12	10.8 ~ 13.2	0.15	7500	8.60	5.58	33.6	
DFM4020S				0.11	6200	7.10	3.98	29.1	
DFL4020S				0.07	5000	5.70	2.54	25.5	
DFH4020B	Ball			0.15	7500	8.60	5.58	33.6	
DFM4020B				0.11	6200	7.10	3.98	29.1	
DFL4020B				0.07	5000	5.70	2.54	25.5	

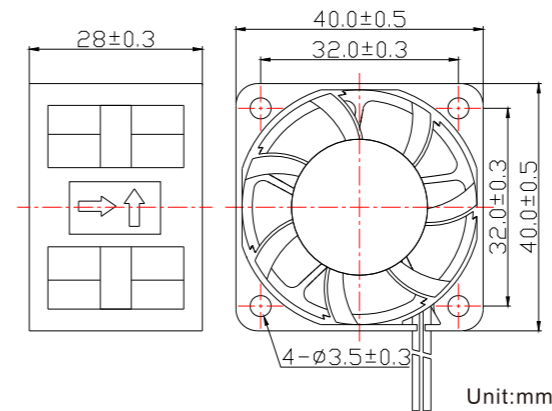
# 4028



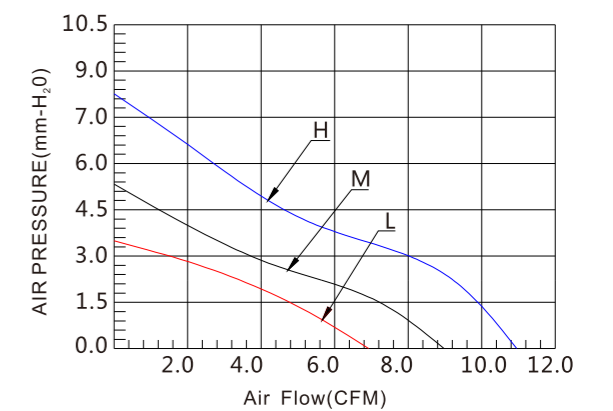
### General Specifications (一般规格)

- ◆Material:  
Frame And Impeller:Thermal Plastic UL 94-0
- ◆Lead Wires:UL Type  
RED Wire Positive(+)  
Black Wire Negative(-)
- ◆Insulation Resistance:10MΩ Or Over With a DC250V Megger
- ◆Dielectric Withstand Voltage:AC500V 1S
- ◆Allowable Ambient Temperature Range:  
-10°C ~ +70°C(Operating)  
-40°C ~ +70°C(Storage)

### Dimensions Drawing(外观图)



### Characteristic Curves (特性曲线)



### Specifications/规格

型号 Model	轴承类型 Bearing Type	电压 Rated Voltage	电压范围 Operation Voltage	电流 Current	转速 Speed	风量 Air Flow	风压 Static Pressure	噪音 Noise Level	重量 Weight
		VDC	VDC	A	RPM	CFM	mmH <sub>2</sub> O	dBA	
DFH4028S	Sleeve	12	10.8 ~ 13.2	0.18	8000	10.27	8.37	38.8	35
DFM4028S				0.15	6500	8.45	5.70	32.6	
DFL4028S				0.12	5000	6.42	3.27	25.4	
DFH4028B	Ball			0.18	8000	10.27	8.37	38.8	
DFM4028B				0.15	6500	8.45	5.70	32.6	
DFL4028B				0.12	5000	6.42	3.27	25.4	
DFH4028S	Sleeve	24	21.6 ~ 26.4	0.13	8000	10.27	8.37	38.8	
DFM4028S				0.08	6500	8.45	5.70	32.6	
DFL4028S				0.05	5000	6.42	3.27	25.4	
DFH4028B	Ball			0.13	8000	10.27	8.37	38.8	
DFM4028B				0.08	6500	8.45	5.70	32.6	
DFL4028B				0.05	5000	6.42	3.27	25.4	

Notes:1. The parameters listed above are for reference. 2. Individual specification will be according to approval sheet provided or customers requirement.

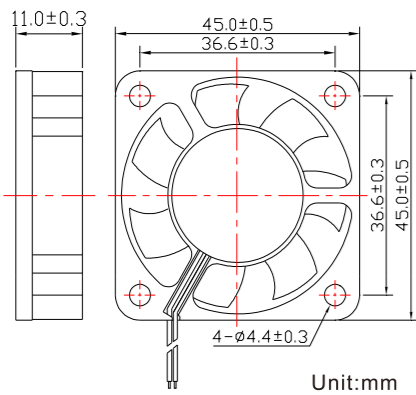
# 4510



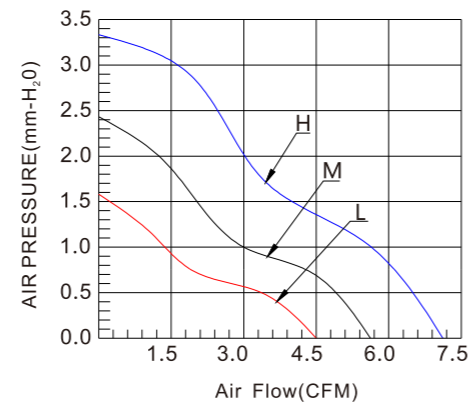
### General Specifications (一般规格)

- ◆Material:  
Frame And Impeller:Thermal Plastic UL 94-0
- ◆Lead Wires:UL Type  
RED Wire Positive(+)  
Black Wire Negative(-)
- ◆Insulation Resistance:10MΩ Or Over With a DC250V Megger
- ◆Dielectric Withstand Voltage:AC500V 1S
- ◆Allowable Ambient Temperature Range:  
-10°C ~ +70°C(Operating)  
-40°C ~ +70°C(Storage)

### Dimensions Drawing(外观图)



### Characteristic Curves (特性曲线)



### Specifications/规格

型号 Model	轴承类型 Bearing Type	电压 Rated Voltage	电压范围 Operation Voltage	电流 Current	转速 Speed	风量 Air Flow	风压 Static Pressure	噪音 Noise Level	重量 Weight
		VDC	VDC						
DFH4510S	Sleeve	5	4.5 ~ 5.5	0.20	6000	7.22	3.38	31.9	15
DFM4510S				0.16	5000	5.83	2.42	27.3	
DFL4510S				0.12	4000	4.50	1.57	22.1	
DFH4510B	Ball			0.20	6000	7.22	3.38	31.9	
DFM4510B				0.16	5000	5.83	2.42	27.3	
DFL4510B				0.12	4000	4.50	1.57	22.1	
DFH4510S	Sleeve	12	10.8 ~ 13.2	0.15	6000	7.22	3.38	31.9	
DFM4510S				0.10	5000	5.83	2.42	27.3	
DFL4510S				0.08	4000	4.50	1.57	22.1	
DFH4510B	Ball			0.15	6000	7.22	3.38	31.9	
DFM4510B				0.10	5000	5.83	2.42	27.3	
DFL4510B				0.08	4000	4.50	1.57	22.1	

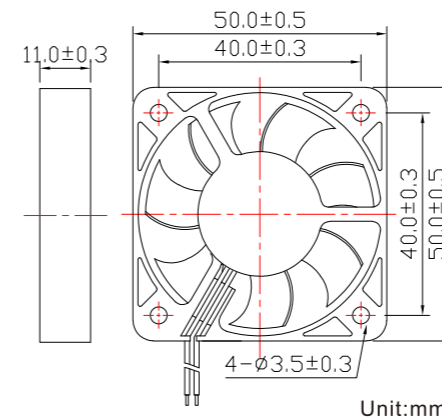
# 5010



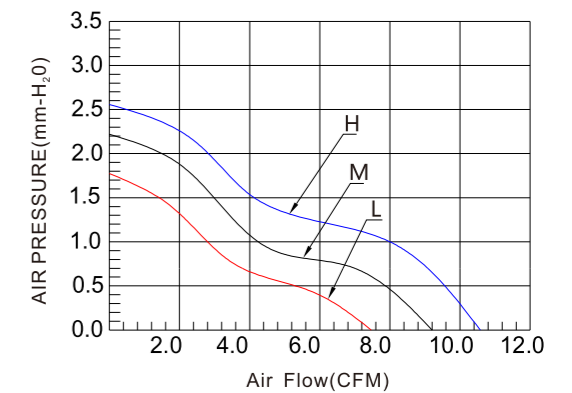
### General Specifications (一般规格)

- ◆Material:  
Frame And Impeller:Thermal Plastic UL 94-0
- ◆Lead Wires:UL Type  
RED Wire Positive(+)  
Black Wire Negative(-)
- ◆Insulation Resistance:10MΩ Or Over With a DC250V Megger
- ◆Dielectric Withstand Voltage:AC500V 1S
- ◆Allowable Ambient Temperature Range:  
-10°C ~ +70°C(Operating)  
-40°C ~ +70°C(Storage)

### Dimensions Drawing(外观图)



### Characteristic Curves (特性曲线)



### Specifications/规格

型号 Model	轴承类型 Bearing Type	电压 Rated Voltage	电压范围 Operation Voltage	电流 Current	转速 Speed	风量 Air Flow	风压 Static Pressure	噪音 Noise Level	重量 Weight
		VDC	VDC						
DFH5010S	Sleeve	5	4.5 ~ 5.5	0.25	5000	10.43	2.52	28.4	20
DFM5010S				0.20	4500	9.42	2.27	26.1	
DFL5010S				0.15	3500	7.30	1.77	20.8	
DFH5010B	Ball			0.25	5000	10.43	2.52	28.4	
DFM5010B				0.20	4500	9.42	2.27	26.1	
DFL5010B				0.15	3500	7.30	1.77	20.8	
DFH5010S	Sleeve	12	10.8 ~ 13.2	0.16	5000	10.43	2.52	28.4	
DFM5010S				0.12	4500	9.42	2.27	26.1	
DFL5010S				0.08	3500	7.30	1.77	20.8	
DFH5010B	Ball			0.16	5000	10.43	2.52	28.4	
DFM5010B				0.10	4500	9.42	2.27	26.1	
DFL5010B				0.08	3500	7.30	1.77	20.8	

Notes:1. The parameters listed above are for reference. 2. Individual specification will be according to approval sheet provided or customers requirement.

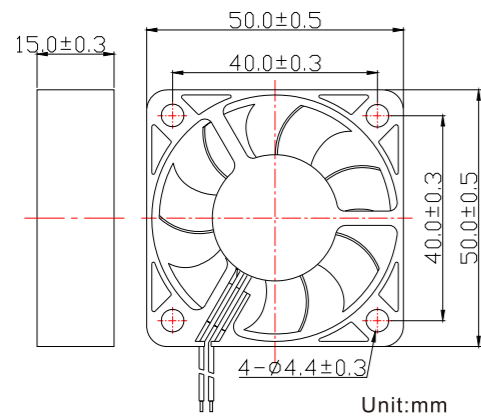
# 5015-A



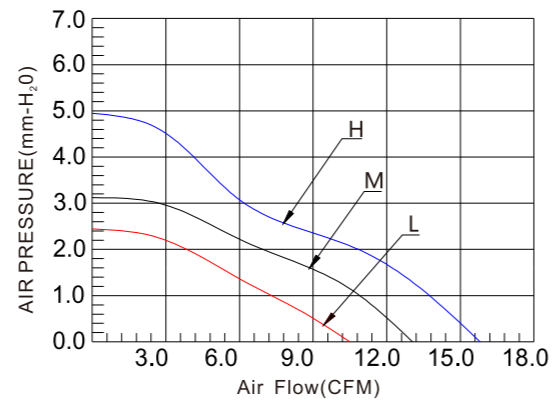
### General Specifications (一般规格)

- ◆Material:  
Frame And Impeller:Thermal Plastic UL 94-0
- ◆Lead Wires:UL Type  
RED Wire Positive(+)  
Black Wire Negative(-)
- ◆Insulation Resistance:10MΩ Or Over With a DC250V Megger
- ◆Dielectric Withstand Voltage:AC500V 1S
- ◆Allowable Ambient Temperature Range:  
-10°C ~ +70°C(Operating)  
-40°C ~ +70°C(Storage)

### Dimensions Drawing(外观图)



### Characteristic Curves (特性曲线)



### Specifications/规格

型号 Model	轴承类型 Bearing Type	电压 Rated Voltage	电压范围 Operation Voltage	电流 Current	转速 Speed	风量 Air Flow	风压 Static Pressure	噪音 Noise Level	重量 Weight
		VDC	VDC	A	RPM	CFM	mmH <sub>2</sub> O	dBA	
DFH5015S	Sleeve	5	4.5~5.5	0.30	5500	16.50	4.58	36.4	29
DFM5015S				0.23	4500	13.94	3.04	31.7	
DFL5015S				0.17	3500	10.85	2.25	29.4	
DFH5015B	Ball			0.30	5500	16.50	4.58	36.4	
DFM5015B				0.23	4500	13.94	3.04	31.7	
DFL5015B				0.17	3500	10.85	2.25	29.4	
DFH5015S	Sleeve	12	10.8~13.2	0.12	5500	16.50	4.58	36.4	
DFM5015S				0.10	4500	13.94	3.04	31.7	
DFL5015S				0.08	3500	10.85	2.25	29.4	
DFH5015B	Ball			0.12	5500	16.50	4.58	36.4	
DFM5015B				0.10	4500	13.94	3.04	31.7	
DFL5015B				0.08	3500	10.85	2.25	29.4	

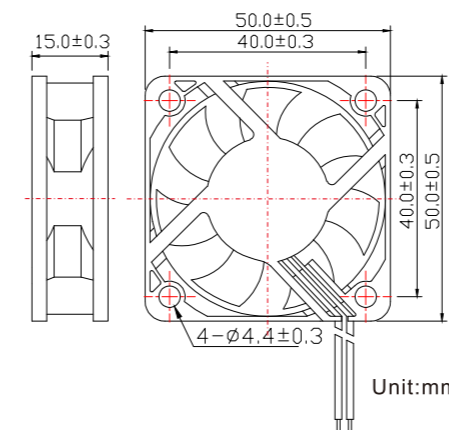
# 5015-B



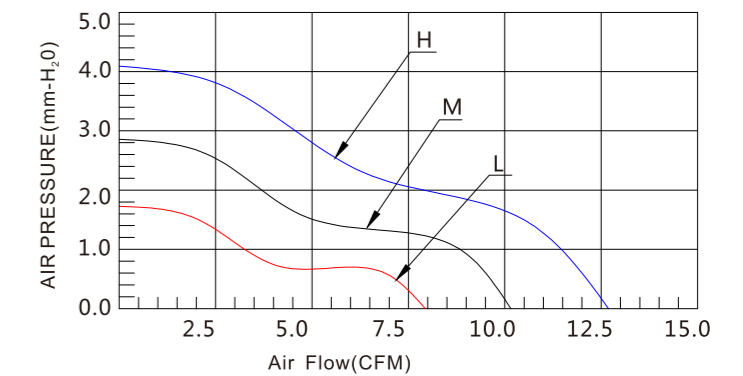
### General Specifications (一般规格)

- ◆Material:  
Frame And Impeller:Thermal Plastic UL 94-0
- ◆Lead Wires:UL Type  
RED Wire Positive(+)  
Black Wire Negative(-)
- ◆Insulation Resistance:10MΩ Or Over With a DC250V Megger
- ◆Dielectric Withstand Voltage:AC500V 1S
- ◆Allowable Ambient Temperature Range:  
-10°C ~ +70°C(Operating)  
-40°C ~ +70°C(Storage)

### Dimensions Drawing(外观图)



### Characteristic Curves (特性曲线)



### Specifications/规格

型号 Model	轴承类型 Bearing Type	电压 Rated Voltage	电压范围 Operation Voltage	电流 Current	转速 Speed	风量 Air Flow	风压 Static Pressure	噪音 Noise Level	重量 Weight
		VDC	VDC	A	RPM	CFM	mmH <sub>2</sub> O	dBA	
DFH5015S	Sleeve	5	4.5~5.5	0.30	5500	12.55	4.18	37.5	29
DFM5015S				0.23	4500	10.10	2.86	32.1	
DFL5015S				0.17	3500	7.93	1.77	28.2	
DFH5015B	Ball			0.30	5500	12.55	4.18	37.5	
DFM5015B				0.23	4500	10.10	2.86	32.1	
DFL5015B				0.17	3500	7.93	1.77	28.2	
DFH5015S	Sleeve	12	10.8~13.2	0.12	5500	12.55	4.18	37.5	
DFM5015S				0.10	4500	10.10	2.86	32.1	
DFL5015S				0.08	3500	7.93	1.77	28.2	
DFH5015B	Ball			0.12	5500	12.55	4.18	37.5	
DFM5015B				0.10	4500	10.10	2.86	32.1	
DFL5015B				0.08	3500	7.93	1.77	28.2	

Notes:1. The parameters listed above are for reference. 2. Individual specification will be according to approval sheet provided or customers requirement.

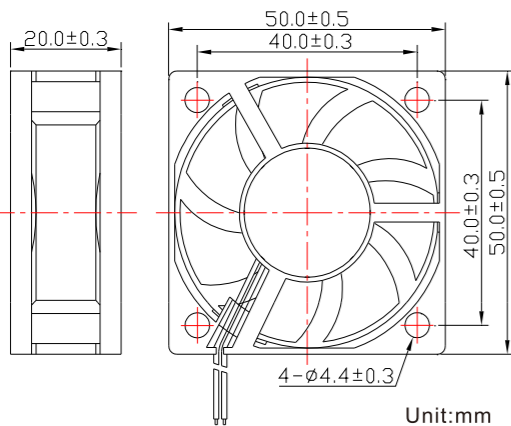
# 5020



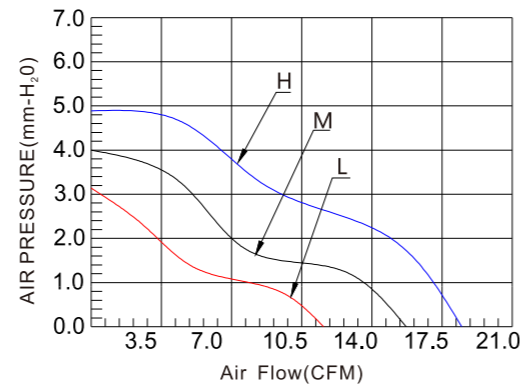
### General Specifications (一般规格)

- ◆Material:  
Frame And Impeller:Thermal Plastic UL 94-0
- ◆Lead Wires:UL Type  
RED Wire Positive(+)  
Black Wire Negative(-)
- ◆Insulation Resistance:10MΩ Or Over With a DC250V Megger
- ◆Dielectric Withstand Voltage:AC500V 1S
- ◆Allowable Ambient Temperature Range:  
-10°C ~ +70°C(Operating)  
-40°C ~ +70°C(Storage)

### Dimensions Drawing(外观图)



### Characteristic Curves (特性曲线)



### Specifications/规格

型号 Model	轴承类型 Bearing Type	电压 Rated Voltage	电压范围 Operation Voltage	电流 Current	转速 Speed	风量 Air Flow	风压 Static Pressure	噪音 Noise Level	重量 Weight
		VDC	VDC	A	RPM	CFM	mmH <sub>2</sub> O	dBA	g
DFH5020S	Sleeve	5	4.5 ~ 5.5	0.32	5500	18.33	4.89	35.2	32
DFM5020S				0.26	4500	14.99	4.00	28.8	
DFL5020S				0.18	3500	11.66	3.11	22.4	
DFH5020B	Ball			0.32	5500	18.33	4.89	35.2	
DFM5020B				0.26	4500	14.99	4.00	28.8	
DFL5020B				0.18	3500	11.66	3.11	22.4	
DFH5020S	Sleeve	12	10.8 ~ 13.2	0.20	5500	18.33	4.89	35.2	
DFM5020S				0.15	4500	14.99	4.00	28.8	
DFL5020S				0.09	3500	11.66	3.11	22.4	
DFH5020B	Ball			0.20	5500	18.33	4.89	35.2	
DFM5020B				0.15	4500	14.99	4.00	28.8	
DFL5020B				0.09	3500	11.66	3.11	22.4	

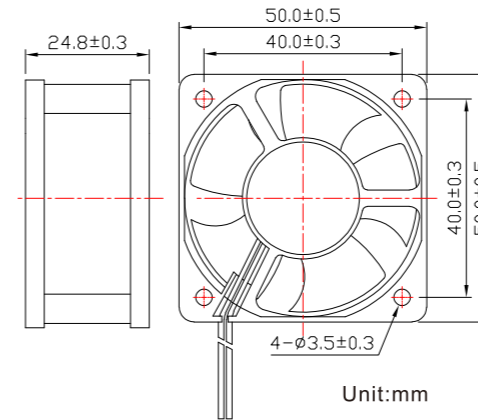
# 5025



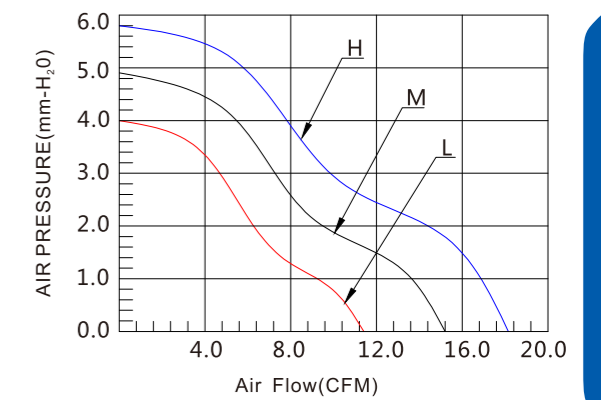
### General Specifications (一般规格)

- ◆Material:  
Frame And Impeller:Thermal Plastic UL 94-0
- ◆Lead Wires:UL Type  
RED Wire Positive(+)  
Black Wire Negative(-)
- ◆Insulation Resistance:10MΩ Or Over With a DC250V Megger
- ◆Dielectric Withstand Voltage:AC500V 1S
- ◆Allowable Ambient Temperature Range:  
-10°C ~ +70°C(Operating)  
-40°C ~ +70°C(Storage)

### Dimensions Drawing(外观图)



### Characteristic Curves (特性曲线)



### Specifications/规格

型号 Model	轴承类型 Bearing Type	电压 Rated Voltage	电压范围 Operation Voltage	电流 Current	转速 Speed	风量 Air Flow	风压 Static Pressure	噪音 Noise Level	重量 Weight
		VDC	VDC	A	RPM	CFM	mmH <sub>2</sub> O	dBA	g
DFH5025S	Hydraulic	12	10.8 ~ 13.2	0.15	6000	17.83	5.84	37.0	35
DFM5025S				0.11	5000	14.85	4.86	30.8	
DFL5025S				0.08	4000	11.88	3.89	24.7	
DFH5025B	Ball			0.15	6000	17.83	5.84	37.0	
DFM5025B				0.11	5000	14.85	4.86	30.8	
DFL5025B				0.08	4000	11.88	3.89	24.7	
DFH5025S	Hydraulic	24	21.6 ~ 26.4	0.10	6000	17.83	5.84	37.0	
DFM5025S				0.08	5000	14.85	4.86	30.8	
DFL5025S				0.06	4000	11.88	3.89	24.7	
DFH5025B	Ball			0.10	6000	17.83	5.84	37.0	
DFM5025B				0.08	5000	14.85	4.86	30.8	
DFL5025B				0.06	4000	11.88	3.89	24.7	

Notes:1. The parameters listed above are for reference. 2. Individual specification will be according to approval sheet provided or customers requirement.

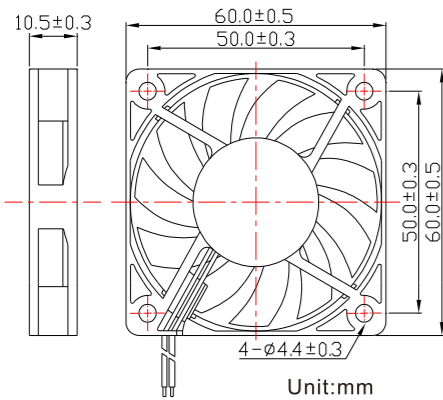
# 6010



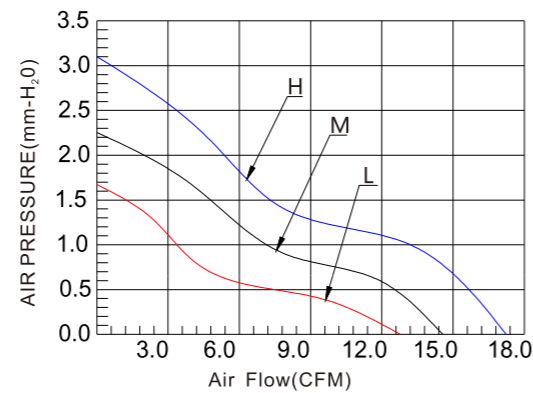
### General Specifications (一般规格)

- ◆Material:  
Frame And Impeller:Thermal Plastic UL 94-0
- ◆Lead Wires:UL Type  
RED Wire Positive(+)  
Black Wire Negative(-)
- ◆Insulation Resistance:10MΩ Or Over With a DC250V Megger
- ◆Dielectric Withstand Voltage:AC500V 1S
- ◆Allowable Ambient Temperature Range:  
-10°C ~ +70°C(Operating)  
-40°C ~ +70°C(Storage)

### Dimensions Drawing(外观图)



### Characteristic Curves (特性曲线)



### Specifications/规格

型号 Model	轴承类型 Bearing Type	电压 Rated Voltage	电压范围 Operation Voltage	电流 Current	转速 Speed	风量 Air Flow	风压 Static Pressure	噪音 Noise Level	重量 Weight
		VDC	VDC	A	RPM	CFM	mmH <sub>2</sub> O	dBA	g
DFH6010S	Sleeve	5	4.5 ~ 5.5	0.35	4000	17.17	3.15	28.9	27
DFM6010S				0.30	3500	14.78	2.38	26.4	
DFL6010S				0.25	3000	12.30	1.67	23.3	
DFH6010B	Ball			0.35	4000	17.17	3.15	28.9	
DFM6010B				0.30	3500	14.78	2.38	26.4	
DFL6010B				0.25	3000	12.30	1.67	23.3	
DFH6010S	Sleeve	12	10.8 ~ 13.2	0.23	4000	17.17	3.15	28.9	
DFM6010S				0.17	3500	14.78	2.38	26.4	
DFL6010S				0.13	3000	12.30	1.67	23.3	
DFH6010B	Ball			0.23	4000	17.17	3.15	28.9	
DFM6010B				0.17	3500	14.78	2.38	26.4	
DFL6010B				0.13	3000	12.30	1.67	23.3	

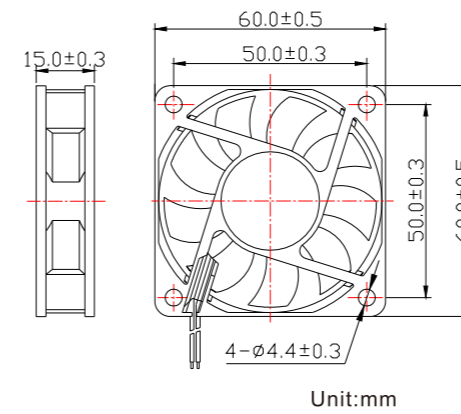
# 6015



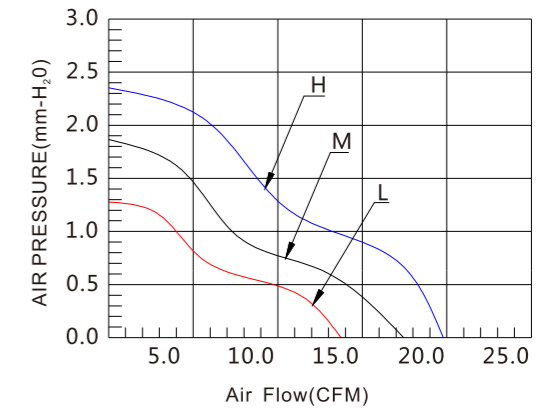
### General Specifications (一般规格)

- ◆Material:  
Frame And Impeller:Thermal Plastic UL 94-0
- ◆Lead Wires:UL Type  
RED Wire Positive(+)  
Black Wire Negative(-)
- ◆Insulation Resistance:10MΩ Or Over With a DC250V Megger
- ◆Dielectric Withstand Voltage:AC500V 1S
- ◆Allowable Ambient Temperature Range:  
-10°C ~ +70°C(Operating)  
-40°C ~ +70°C(Storage)

### Dimensions Drawing(外观图)



### Characteristic Curves (特性曲线)



### Specifications/规格

型号 Model	轴承类型 Bearing Type	电压 Rated Voltage	电压范围 Operation Voltage	电流 Current	转速 Speed	风量 Air Flow	风压 Static Pressure	噪音 Noise Level	重量 Weight
		VDC	VDC	A	RPM	CFM	mmH <sub>2</sub> O	dBA	g
DFH6015S	Sleeve	5	4.5 ~ 5.5	0.26	4000	19.83	2.35	34.6	33
DFM6015S				0.20	3500	17.58	1.85	30.7	
DFL6015S				0.14	3000	14.67	1.27	28.5	
DFH6015B	Ball			0.26	4000	19.83	2.35	34.6	
DFM6015B				0.20	3500	17.58	1.85	30.7	
DFL6015B				0.14	3000	14.67	1.27	28.5	
DFH6015S	Sleeve	12	10.8 ~ 13.2	0.15	4000	19.83	2.35	34.6	
DFM6015S				0.13	3500	17.58	1.85	30.7	
DFL6015S				0.11	3000	14.67	1.27	28.5	
DFH6015B	Ball			0.15	4000	19.83	2.35	34.6	
DFM6015B				0.13	3500	17.58	1.85	30.7	
DFL6015B				0.11	3000	14.67	1.27	28.5	

Notes:1. The parameters listed above are for reference. 2. Individual specification will be according to approval sheet provided or customers requirement.

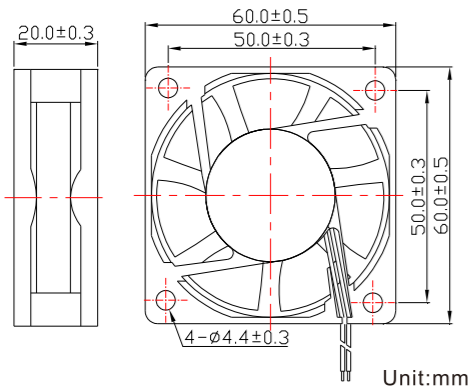
# 6020



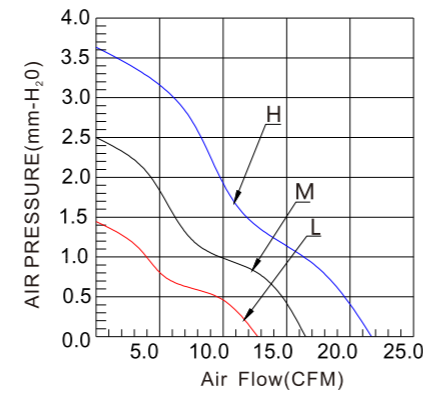
### General Specifications (一般规格)

- ◆Material:  
Frame And Impeller:Thermal Plastic UL 94-0
- ◆Lead Wires:UL Type  
RED Wire Positive(+)  
Black Wire Negative(-)
- ◆Insulation Resistance:10MΩ Or Over With a DC250V Megger
- ◆Dielectric Withstand Voltage:AC500V 1S
- ◆Allowable Ambient Temperature Range:  
-10°C ~ +70°C(Operating)  
-40°C ~ +70°C(Storage)

### Dimensions Drawing(外观图)



### Characteristic Curves (特性曲线)



### Specifications/规格

型号 Model	轴承类型 Bearing Type	电压 Rated Voltage	电压范围 Operation Voltage	电流 Current	转速 Speed	风量 Air Flow	风压 Static Pressure	噪音 Noise Level	重量 Weight
		VDC	VDC	A	RPM	CFM	mmH <sub>2</sub> O	dBA	g
DFH6020S	Sleeve	12	10.8 ~ 13.2	0.15	4000	20.28	3.65	29.0	49
DFM6020S				0.10	3300	16.50	2.50	23.9	
DFL6020S				0.07	2500	12.31	1.45	21.4	
DFH6020B	Ball			0.15	4000	20.28	3.65	29.0	
DFM6020B				0.10	3300	16.50	2.50	23.9	
DFL6020B				0.07	2500	12.31	1.45	21.4	
DFH6020S	Sleeve	24	21.6 ~ 26.4	0.12	4000	20.28	3.65	29.0	
DFM6020S				0.08	3500	17.75	2.79	26.1	
DFL6020S				0.05	3000	15.21	2.05	22.8	
DFH6020B	Ball			0.12	4000	20.28	3.65	29.0	
DFM6020B				0.08	3500	17.75	2.79	26.1	
DFL6020B				0.05	3000	15.21	2.05	22.8	

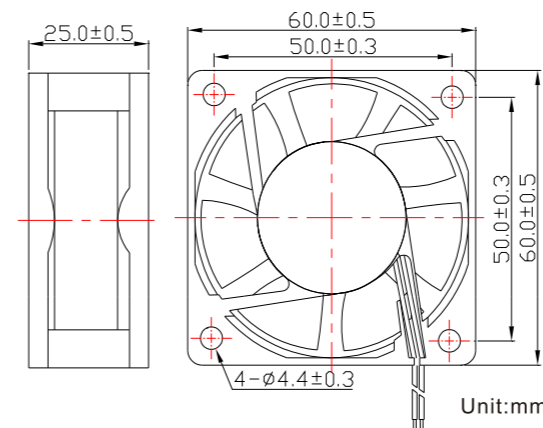
# 6025



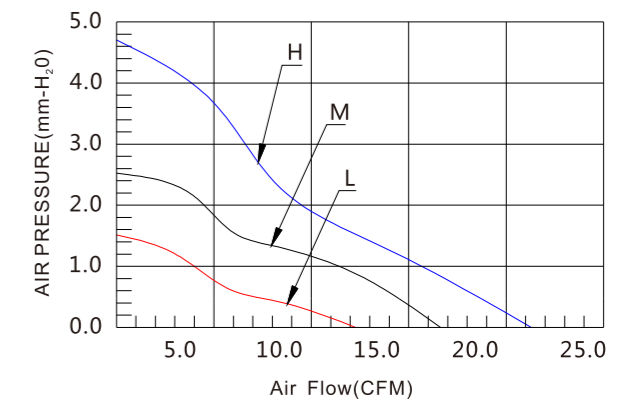
### General Specifications (一般规格)

- ◆Material:  
Frame And Impeller:Thermal Plastic UL 94-0
- ◆Lead Wires:UL Type  
RED Wire Positive(+)  
Black Wire Negative(-)
- ◆Insulation Resistance:10MΩ Or Over With a DC250V Megger
- ◆Dielectric Withstand Voltage:AC500V 1S
- ◆Allowable Ambient Temperature Range:  
-10°C ~ +70°C(Operating)  
-40°C ~ +70°C(Storage)

### Dimensions Drawing(外观图)



### Characteristic Curves (特性曲线)



### Specifications/规格

型号 Model	轴承类型 Bearing Type	电压 Rated Voltage	电压范围 Operation Voltage	电流 Current	转速 Speed	风量 Air Flow	风压 Static Pressure	噪音 Noise Level	重量 Weight
		VDC	VDC	A	RPM	CFM	mmH <sub>2</sub> O	dBA	g
DFH6025S	Sleeve	12	10.8 ~ 13.2	0.14	4000	21.08	4.70	29.3	60
DFM6025S				0.11	3300	17.41	2.56	24.6	
DFL6025S				0.08	2500	13.21	1.15	21.1	
DFH6025B	Ball			0.14	4000	21.08	4.70	29.3	
DFM6025B				0.11	3300	17.41	2.56	24.6	
DFL6025B				0.08	2500	13.21	1.15	21.1	
DFH6025S	Sleeve	24	21.6 ~ 26.4	0.10	4000	21.08	4.70	29.3	
DFM6025S				0.08	3300	17.41	2.56	24.6	
DFL6025S				0.06	2500	13.21	1.15	21.1	
DFH6025B	Ball			0.10	4000	21.08	4.70	29.3	
DFM6025B				0.08	3300	17.41	2.56	24.6	
DFL6025B				0.06	2500	13.21	1.15	21.1	

Notes:1. The parameters listed above are for reference. 2. Individual specification will be according to approval sheet provided or customers requirement.

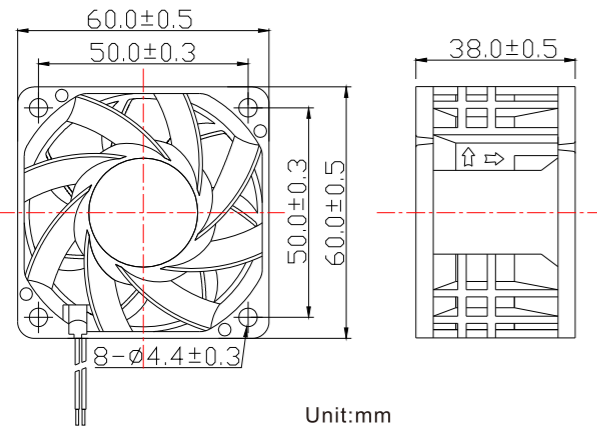
# 6038



### General Specifications (一般规格)

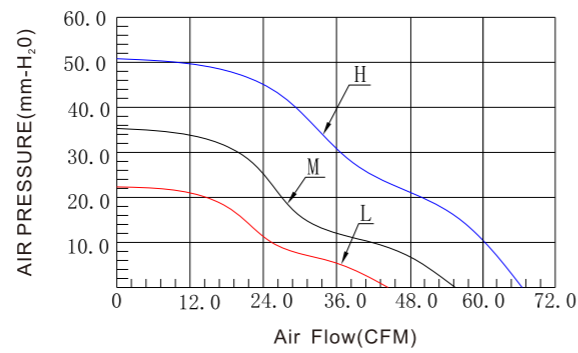
- ◆Material:  
Frame And Impeller:Thermal Plastic UL 94-0
- ◆Lead Wires:UL Type  
RED Wire Positive(+)  
Black Wire Negative(-)
- ◆Insulation Resistance:10MΩ Or Over With a DC250V Megger
- ◆Dielectric Withstand Voltage:AC500V 1S
- ◆Allowable Ambient Temperature Range:  
-10°C ~ +70°C(Operating)  
-40°C ~ +70°C(Storage)

### Dimensions Drawing(外观图)



Unit:mm

### Characteristic Curves (特性曲线)



### Specifications/规格

型号 Model	轴承类型 Bearing Type	电压 Rated Voltage	电压范围 Operation Voltage	电流 Current	转速 Speed	风量 Air Flow	风压 Static Pressure	噪音 Noise Level	重量 Weight
		VDC	VDC	A	RPM	CFM	mmH <sub>2</sub> O	dBA	
DFH6038B	Ball	12	10.8~13.2	3.00	12000	66.54	50.80	58.8	110
DFM6038B				2.00	10000	55.44	35.27	55.2	
DFL6038B				1.00	8000	44.36	22.57	50.9	
DFH6038B		24	21.6~26.4	1.50	12000	66.54	50.80	58.8	
DFM6038B				1.00	10000	55.44	35.27	55.2	
DFL6038B				0.80	8000	44.36	22.57	50.9	

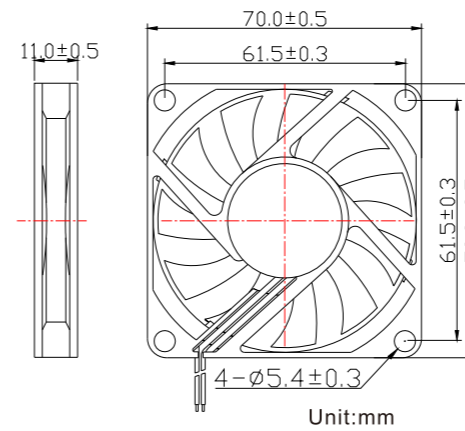
# 7010



### General Specifications (一般规格)

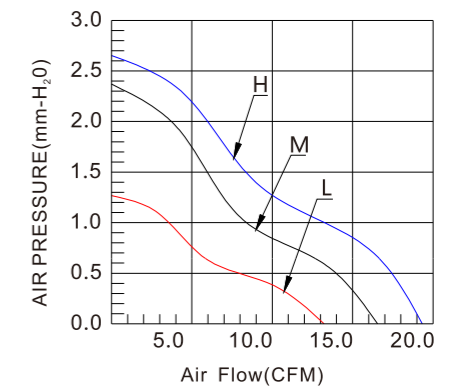
- ◆Material:  
Frame And Impeller:Thermal Plastic UL 94-0
- ◆Lead Wires:UL Type  
RED Wire Positive(+)  
Black Wire Negative(-)
- ◆Insulation Resistance:10MΩ Or Over With a DC250V Megger
- ◆Dielectric Withstand Voltage:AC500V 1S
- ◆Allowable Ambient Temperature Range:  
-10°C ~ +70°C(Operating)  
-40°C ~ +70°C(Storage)

### Dimensions Drawing(外观图)



Unit:mm

### Characteristic Curves (特性曲线)



### Specifications/规格

型号 Model	轴承类型 Bearing Type	电压 Rated Voltage	电压范围 Operation Voltage	电流 Current	转速 Speed	风量 Air Flow	风压 Static Pressure	噪音 Noise Level	重量 Weight		
		VDC	VDC	A	RPM	CFM	mmH <sub>2</sub> O	dBA			
DFH7010S	Sleeve	12	10.8~13.2	0.21	3500	19.13	2.65	32.6	33		
DFM7010S				0.14	3000	16.39	2.48	27.9			
DFL7010S				0.10	2500	13.31	1.28	23.9			
DFH7010B	Ball			24	21.6~26.4	0.21	3500	19.13		2.65	32.6
DFM7010B						0.14	3000	16.39		2.48	27.9
DFL7010B						0.10	2500	13.31		1.28	23.9
DFH7010S	Sleeve	24	21.6~26.4			0.13	3500	19.13	2.65	32.6	
DFM7010S						0.11	3000	16.39	2.48	27.9	
DFL7010S						0.08	2500	13.31	1.28	23.9	
DFH7010B	Ball			24	21.6~26.4	0.13	3500	19.13	2.65	32.6	
DFM7010B						0.11	3000	16.39	2.48	27.9	
DFL7010B						0.08	2500	13.31	1.28	23.9	

Notes:1. The parameters listed above are for reference. 2. Individual specification will be according to approval sheet provided or customers requirement.

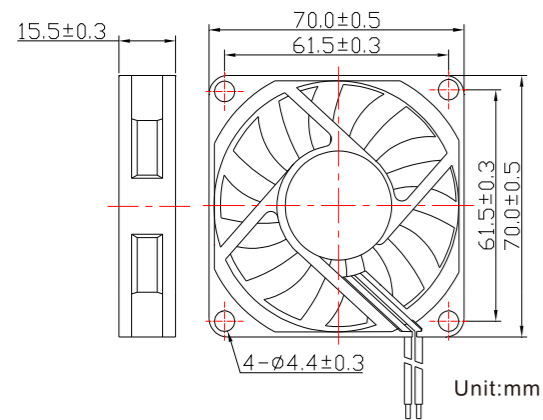
# 7015



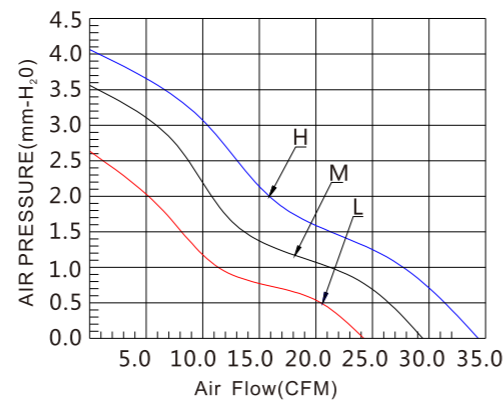
### General Specifications (一般规格)

- ◆Material:  
Frame And Impeller:Thermal Plastic UL 94-0
- ◆Lead Wires:UL Type  
RED Wire Positive(+)  
Black Wire Negative(-)
- ◆Insulation Resistance:10MΩ Or Over With a DC250V Megger
- ◆Dielectric Withstand Voltage:AC500V 1S
- ◆Allowable Ambient Temperature Range:  
-10°C ~ +70°C(Operating)  
-40°C ~ +70°C(Storage)

### Dimensions Drawing(外观图)



### Characteristic Curves (特性曲线)



### Specifications/规格

型号 Model	轴承类型 Bearing Type	电压 Rated Voltage	电压范围 Operation Voltage	电流 Current	转速 Speed	风量 Air Flow	风压 Static Pressure	噪音 Noise Level	重量 Weight
		VDC	VDC						
DFH7015S	Sleeve	12	10.8~13.2	0.30	4000	34.18	4.03	34.2	48
DFM7015S				0.25	3600	29.40	3.53	31.1	
DFL7015S				0.20	3000	24.42	2.62	27.2	
DFH7015B	Ball			0.30	4000	34.18	4.03	34.2	
DFM7015B				0.25	3600	29.40	3.53	31.1	
DFL7015B				0.20	3000	24.42	2.62	27.2	
DFH7015S	Sleeve	24	21.6~26.4	0.14	4000	34.18	4.03	34.2	
DFM7015S				0.11	3600	29.40	3.53	31.1	
DFL7015S				0.08	3000	24.42	2.62	27.2	
DFH7015B	Ball			0.14	4000	34.18	4.03	34.2	
DFM7015B				0.11	3600	29.40	3.53	31.1	
DFL7015B				0.08	3000	24.42	2.62	27.2	

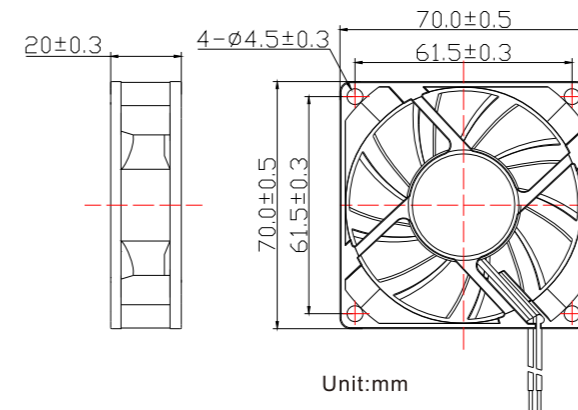
# 7020



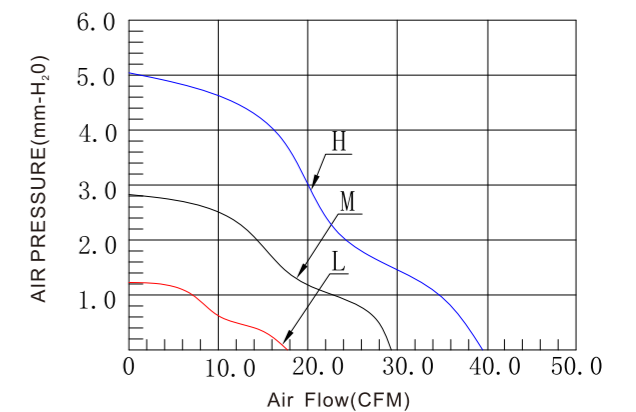
### General Specifications (一般规格)

- ◆Material:  
Frame And Impeller:Thermal Plastic UL 94-0
- ◆Lead Wires:UL Type  
RED Wire Positive(+)  
Black Wire Negative(-)
- ◆Insulation Resistance:10MΩ Or Over With a DC250V Megger
- ◆Dielectric Withstand Voltage:AC500V 1S
- ◆Allowable Ambient Temperature Range:  
-10°C ~ +70°C(Operating)  
-40°C ~ +70°C(Storage)

### Dimensions Drawing(外观图)



### Characteristic Curves (特性曲线)



### Specifications/规格

型号 Model	轴承类型 Bearing Type	电压 Rated Voltage	电压范围 Operation Voltage	电流 Current	转速 Speed	风量 Air Flow	风压 Static Pressure	噪音 Noise Level	重量 Weight
		VDC	VDC						
DFH7020B	Ball	12	10.8~13.2	0.40	4000	39.45	5.04	31.6	63
DFM7020B				0.30	3000	29.59	2.83	26.0	
DFL7020B				0.20	2000	19.72	1.25	18.5	
DFH7020S	Hydraulic			0.40	4000	39.45	5.04	31.6	
DFM7020S				0.30	3000	29.59	2.83	26.0	
DFL7020S				0.20	2000	19.72	1.25	18.5	
DFH7020B	Ball	24	21.6~26.4	0.20	4000	39.45	5.04	31.6	
DFM7020B				0.15	3000	29.59	2.83	26.0	
DFL7020B				0.10	2000	19.72	1.25	18.5	
DFH7020S	Hydraulic			0.20	4000	39.45	5.04	31.6	
DFM7020S				0.15	3000	29.59	2.83	26.0	
DFL7020S				0.10	2000	19.72	1.25	18.5	

Notes:1. The parameters listed above are for reference. 2. Individual specification will be according to approval sheet provided or customers requirement.

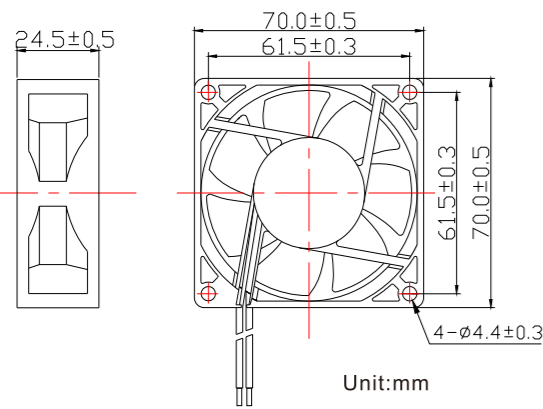
# 7025



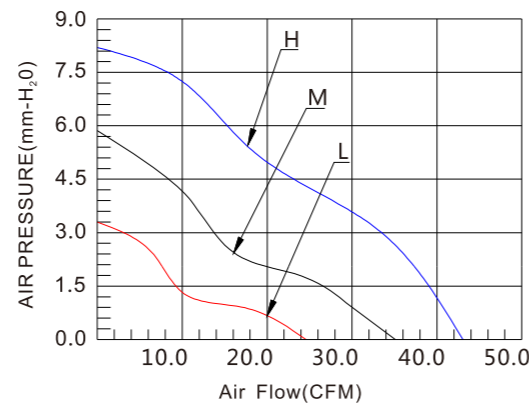
### General Specifications (一般规格)

- ◆Material:  
Frame And Impeller:Thermal Plastic UL 94-0
- ◆Lead Wires:UL Type  
RED Wire Positive(+)  
Black Wire Negative(-)
- ◆Insulation Resistance:10MΩ Or Over With a DC250V Megger
- ◆Dielectric Withstand Voltage:AC500V 1S
- ◆Allowable Ambient Temperature Range:  
-10°C ~ +70°C(Operating)  
-40°C ~ +70°C(Storage)

### Dimensions Drawing(外观图)



### Characteristic Curves (特性曲线)



### Specifications/规格

型号 Model	轴承类型 Bearing Type	电压 Rated Voltage	电压范围 Operation Voltage	电流 Current	转速 Speed	风量 Air Flow	风压 Static Pressure	噪音 Noise Level	重量 Weight
		VDC	VDC	A	RPM	CFM	mmH <sub>2</sub> O	dBA	g
DFH7025S	Sleeve	12	10.8~13.2	0.30	4000	40.32	7.71	36.9	63
DFM7025S				0.20	3500	35.28	5.90	34.0	
DFL7025S				0.15	3000	23.72	3.10	24.8	
DFH7025B	Ball			0.30	4000	40.32	7.71	36.9	
DFM7025B				0.20	3500	35.28	5.90	34.0	
DFL7025B				0.15	3000	23.72	3.10	24.8	
DFH7025S	Sleeve	24	21.6~26.4	0.20	4000	40.32	7.71	36.9	
DFM7025S				0.11	3500	35.28	5.90	34.0	
DFL7025S				0.08	3000	23.72	3.10	24.8	
DFH7025B	Ball			0.20	4000	40.32	7.71	36.9	
DFM7025B				0.11	3500	35.28	5.90	34.0	
DFL7025B				0.08	3000	23.72	3.10	24.8	

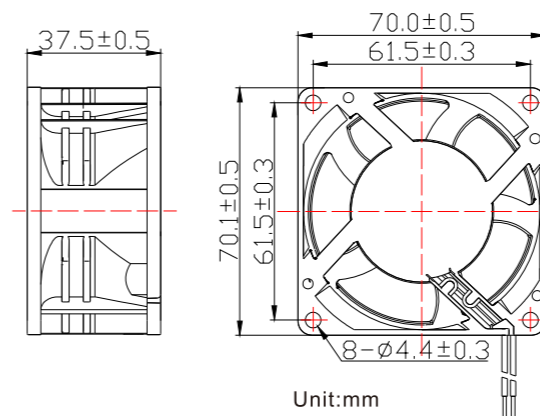
# 7038



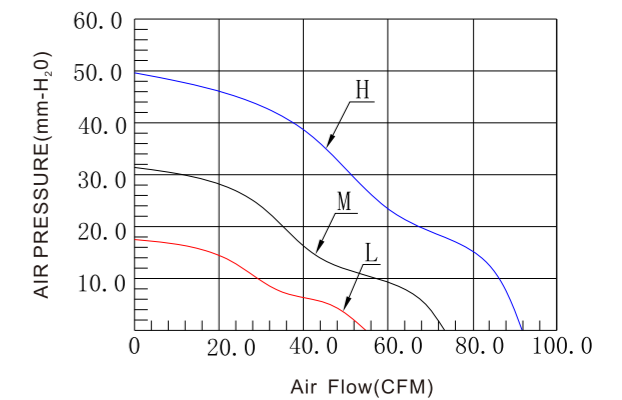
### General Specifications (一般规格)

- ◆Material:  
Frame And Impeller:Thermal Plastic UL 94-0
- ◆Lead Wires:UL Type  
RED Wire Positive(+)  
Black Wire Negative(-)
- ◆Insulation Resistance:10MΩ Or Over With a DC250V Megger
- ◆Dielectric Withstand Voltage:AC500V 1S
- ◆Allowable Ambient Temperature Range:  
-10°C ~ +70°C(Operating)  
-40°C ~ +70°C(Storage)

### Dimensions Drawing(外观图)



### Characteristic Curves (特性曲线)



### Specifications/规格

型号 Model	轴承类型 Bearing Type	电压 Rated Voltage	电压范围 Operation Voltage	电流 Current	转速 Speed	风量 Air Flow	风压 Static Pressure	噪音 Noise Level	重量 Weight
		VDC	VDC	A	RPM	CFM	mmH <sub>2</sub> O	dBA	g
DFH7038B	Ball	12	10.8~13.2	2.50	10000	91.64	49.61	52.2	137
DFM7038B				1.20	8000	73.31	31.75	47.9	
DFL7038B				0.50	6000	54.98	17.86	42.2	
DFH7038B		24	21.6~26.4	1.50	10000	91.64	49.61	52.2	
DFM7038B				1.00	8000	73.31	31.75	47.9	
DFL7038B				0.30	6000	54.98	17.86	42.2	

Notes:1. The parameters listed above are for reference. 2. Individual specification will be according to approval sheet provided or customers requirement.

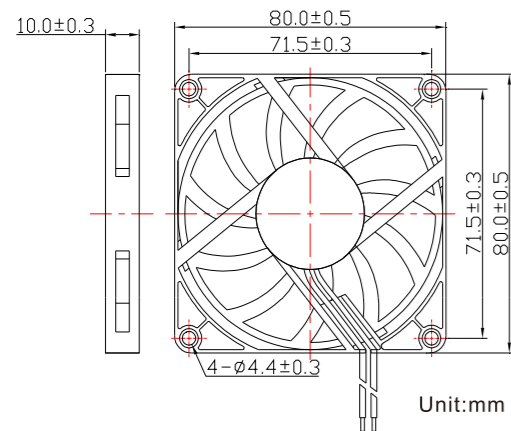
# 8010



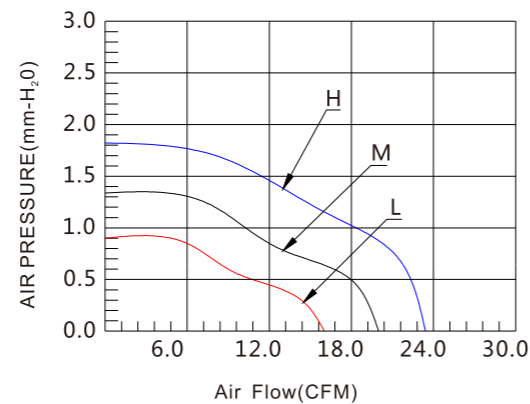
### General Specifications (一般规格)

- ◆Material:  
Frame And Impeller:Thermal Plastic UL 94-0
- ◆Lead Wires:UL Type  
RED Wire Positive(+)  
Black Wire Negative(-)
- ◆Insulation Resistance:10MΩ Or Over With a DC250V Megger
- ◆Dielectric Withstand Voltage:AC500V 1S
- ◆Allowable Ambient Temperature Range:  
-10°C ~ +70°C(Operating)  
-40°C ~ +70°C(Storage)

### Dimensions Drawing(外观图)



### Characteristic Curves (特性曲线)



### Specifications/规格

型号 Model	轴承类型 Bearing Type	电压 Rated Voltage	电压范围 Operation Voltage	电流 Current	转速 Speed	风量 Air Flow	风压 Static Pressure	噪音 Noise Level	重量 Weight
		VDC	VDC						
DFH8010S	Sleeve	5	4.5 ~ 5.5	0.35	3000	23.45	1.81	30.8	43
DFM8010S				0.25	2500	19.68	1.31	26.3	
DFL8010S				0.17	2000	15.58	0.90	22.1	
DFH8010B	Ball			0.35	3000	23.45	1.81	30.8	
DFM8010B				0.25	2500	19.68	1.31	26.3	
DFL8010B				0.17	2000	15.58	0.90	22.1	
DFH8010S	Sleeve	12	10.8 ~ 13.2	0.24	3000	23.45	1.81	30.8	
DFM8010S				0.18	2500	19.68	1.31	26.3	
DFL8010S				0.12	2000	15.58	0.90	22.1	
DFH8010B	Ball			0.24	3000	23.45	1.81	30.8	
DFM8010B				0.18	2500	19.68	1.31	26.3	
DFL8010B				0.12	2000	15.58	0.90	22.1	

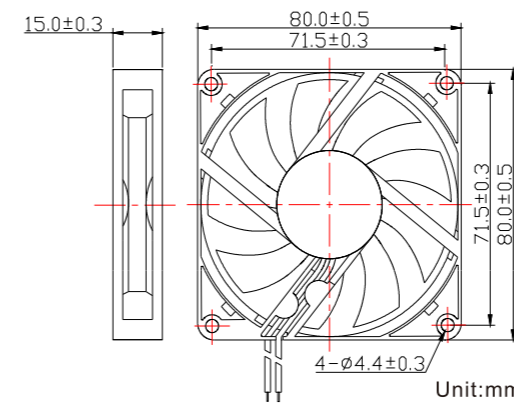
# 8015



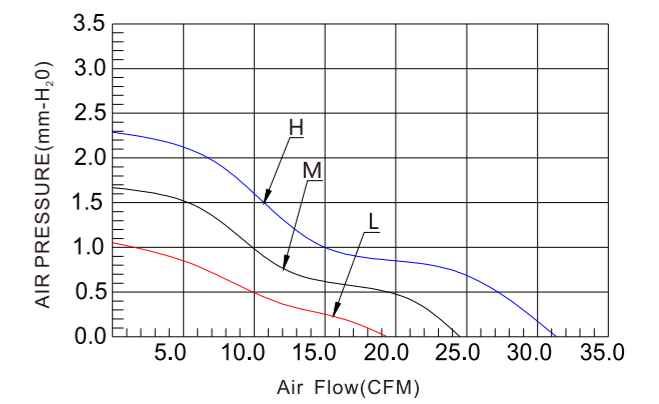
### General Specifications (一般规格)

- ◆Material:  
Frame And Impeller:Thermal Plastic UL 94-0
- ◆Lead Wires:UL Type  
RED Wire Positive(+)  
Black Wire Negative(-)
- ◆Insulation Resistance:10MΩ Or Over With a DC250V Megger
- ◆Dielectric Withstand Voltage:AC500V 1S
- ◆Allowable Ambient Temperature Range:  
-10°C ~ +70°C(Operating)  
-40°C ~ +70°C(Storage)

### Dimensions Drawing(外观图)



### Characteristic Curves (特性曲线)



### Specifications/规格

型号 Model	轴承类型 Bearing Type	电压 Rated Voltage	电压范围 Operation Voltage	电流 Current	转速 Speed	风量 Air Flow	风压 Static Pressure	噪音 Noise Level	重量 Weight
		VDC	VDC						
DFH8015S	Sleeve	12	10.8 ~ 13.2	0.17	3000	30.16	2.38	34.6	58
DFM8015S				0.12	2500	24.89	1.69	29.8	
DFL8015S				0.08	2000	18.99	1.03	24.2	
DFH8015B	Ball			0.17	3000	30.16	2.38	34.6	
DFM8015B				0.12	2500	24.89	1.69	29.8	
DFL8015B				0.08	2000	18.99	1.03	24.2	
DFH8015S	Sleeve	24	21.6 ~ 26.4	0.11	3000	30.16	2.38	34.6	
DFM8015S				0.08	2500	24.89	1.69	29.8	
DFL8015S				0.05	2000	18.99	1.03	24.2	
DFH8015B	Ball			0.11	3000	30.16	2.38	34.6	
DFM8015B				0.08	2500	24.89	1.69	29.8	
DFL8015B				0.05	2000	18.99	1.03	24.2	

Notes:1. The parameters listed above are for reference. 2. Individual specification will be according to approval sheet provided or customers requirement.

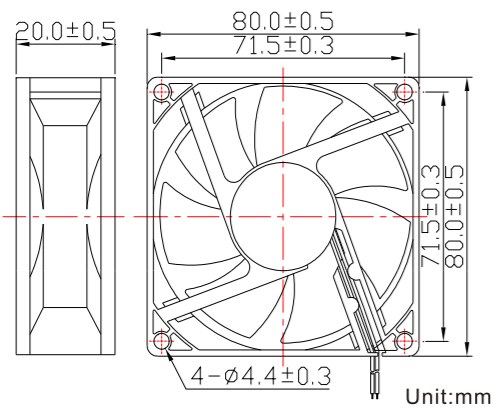
# 8020



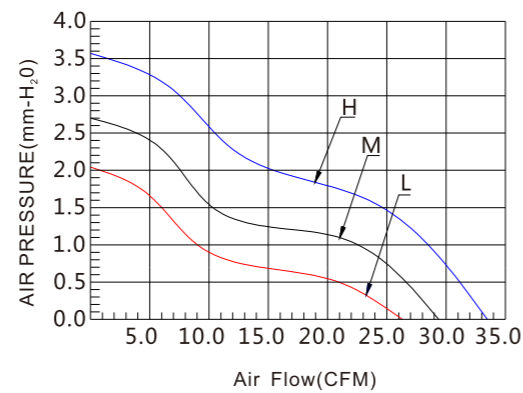
### General Specifications (一般规格)

- ◆Material:  
Frame And Impeller:Thermal Plastic UL 94-0
- ◆Lead Wires:UL Type  
RED Wire Positive(+)  
Black Wire Negative(-)
- ◆Insulation Resistance:10MΩ Or Over With a DC250V Megger
- ◆Dielectric Withstand Voltage:AC500V 1S
- ◆Allowable Ambient Temperature Range:  
-10°C ~ +70°C(Operating)  
-40°C ~ +70°C(Storage)

### Dimensions Drawing(外观图)



### Characteristic Curves (特性曲线)



### Specifications/规格

型号 Model	轴承类型 Bearing Type	电压 Rated Voltage	电压范围 Operation Voltage	电流 Current	转速 Speed	风量 Air Flow	风压 Static Pressure	噪音 Noise Level	重量 Weight
		VDC	VDC						
DFH8020S	Sleeve	12	10.8 ~ 13.2	0.20	3200	33.95	3.55	30.7	70
DFM8020S				0.15	2800	29.29	2.70	26.9	
DFL8020S				0.10	2400	25.15	2.03	23.2	
DFH8020B	Ball			0.20	3200	33.95	3.55	30.7	
DFM8020B				0.15	2800	29.29	2.70	26.9	
DFL8020B				0.10	2400	25.15	2.03	23.2	
DFH8020S	Sleeve	24	21.6 ~ 26.4	0.11	3200	33.95	3.55	30.7	
DFM8020S				0.09	2800	29.29	2.70	26.9	
DFL8020S				0.07	2400	25.15	2.03	23.2	
DFH8020B	Ball			0.11	3200	33.95	3.55	30.7	
DFM8020B				0.09	2800	29.29	2.70	26.9	
DFL8020B				0.07	2400	25.15	2.03	23.2	

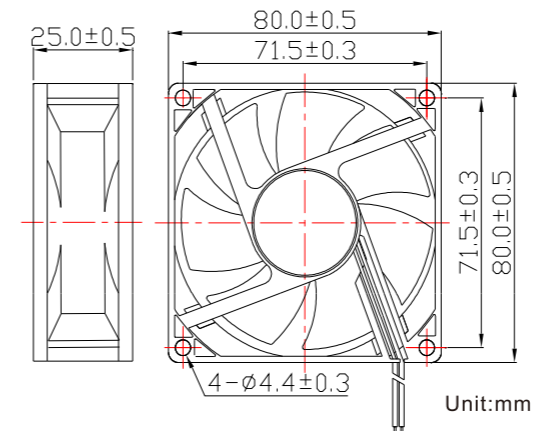
# 8025-A



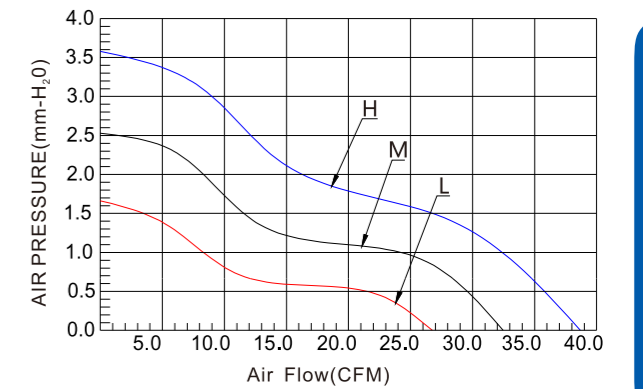
### General Specifications (一般规格)

- ◆Material:  
Frame And Impeller:Thermal Plastic UL 94-0
- ◆Lead Wires:UL Type  
RED Wire Positive(+)  
Black Wire Negative(-)
- ◆Insulation Resistance:10MΩ Or Over With a DC250V Megger
- ◆Dielectric Withstand Voltage:AC500V 1S
- ◆Allowable Ambient Temperature Range:  
-10°C ~ +70°C(Operating)  
-40°C ~ +70°C(Storage)

### Dimensions Drawing(外观图)



### Characteristic Curves (特性曲线)



### Specifications/规格

型号 Model	轴承类型 Bearing Type	电压 Rated Voltage	电压范围 Operation Voltage	电流 Current	转速 Speed	风量 Air Flow	风压 Static Pressure	噪音 Noise Level	重量 Weight
		VDC	VDC						
DFH8025S	Sleeve	12	10.8 ~ 13.2	0.17	3000	38.88	3.54	32.3	75
DFM8025S				0.11	2500	32.37	2.52	27.9	
DFL8025S				0.08	2000	25.64	1.64	22.1	
DFH8025B	Ball			0.17	3000	38.88	3.54	32.3	
DFM8025B				0.11	2500	32.37	2.52	27.9	
DFL8025B				0.08	2000	25.64	1.64	22.1	
DFH8025S	Sleeve	24	21.6 ~ 26.4	0.15	3000	38.88	3.54	32.3	
DFM8025S				0.10	2500	32.37	2.52	27.9	
DFL8025S				0.07	2000	25.64	1.64	22.1	
DFH8025B	Ball			0.15	3000	38.88	3.54	32.3	
DFM8025B				0.10	2500	32.37	2.52	27.9	
DFL8025B				0.07	2000	25.64	1.64	22.1	

Notes:1. The parameters listed above are for reference. 2. Individual specification will be according to approval sheet provided or customers requirement.

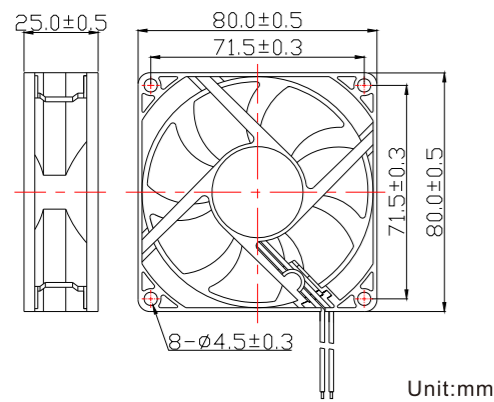
# 8025-B



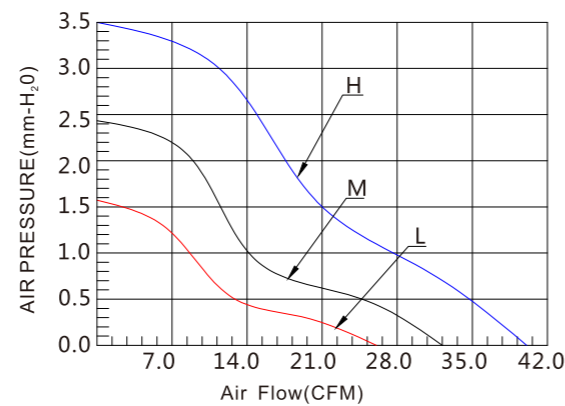
### General Specifications (一般规格)

- ◆Material:  
Frame And Impeller:Thermal Plastic UL 94-0
- ◆Lead Wires:UL Type  
RED Wire Positive(+)  
Black Wire Negative(-)
- ◆Insulation Resistance:10MΩ Or Over With a DC250V Megger
- ◆Dielectric Withstand Voltage:AC500V 1S
- ◆Allowable Ambient Temperature Range:  
-10°C ~ +70°C(Operating)  
-40°C ~ +70°C(Storage)

### Dimensions Drawing(外观图)



### Characteristic Curves (特性曲线)



### Specifications/规格

型号 Model	轴承类型 Bearing Type	电压 Rated Voltage	电压范围 Operation Voltage	电流 Current	转速 Speed	风量 Air Flow	风压 Static Pressure	噪音 Noise Level	重量 Weight
		VDC	VDC	A	RPM	CFM	mmH <sub>2</sub> O	dBA	g
DFH8025S	Sleeve	12	10.8 ~ 13.2	0.17	3000	40.25	3.50	32.5	80
DFM8025S				0.11	2500	33.54	2.43	27.5	
DFL8025S				0.08	2000	26.83	1.56	22.7	
DFH8025B	Ball			0.17	3000	40.25	3.50	32.5	
DFM8025B				0.11	2500	33.54	2.43	27.5	
DFL8025B				0.08	2000	26.83	1.56	22.7	
DFH8025S	Sleeve	24	21.6 ~ 26.4	0.15	3000	40.25	3.50	32.5	
DFM8025S				0.10	2500	33.54	2.43	27.5	
DFL8025S				0.07	2000	26.83	1.56	22.7	
DFH8025B	Ball			0.15	3000	40.25	3.50	32.5	
DFM8025B				0.10	2500	33.54	2.43	27.5	
DFL8025B				0.07	2000	26.83	1.56	22.7	

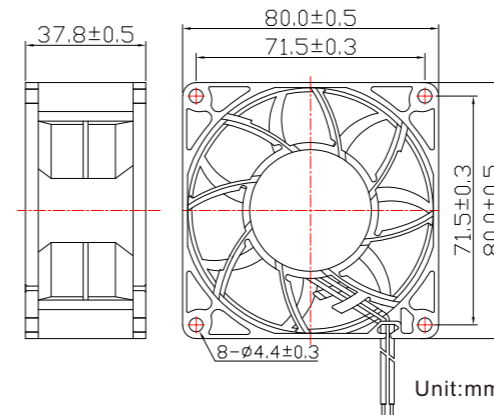
# 8038



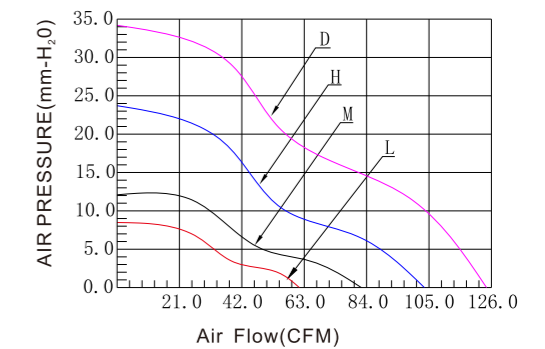
### General Specifications (一般规格)

- ◆Material:  
Frame And Impeller:Thermal Plastic UL 94-0
- ◆Lead Wires:UL Type  
RED Wire Positive(+)  
Black Wire Negative(-)
- ◆Insulation Resistance:10MΩ Or Over With a DC250V Megger
- ◆Dielectric Withstand Voltage:AC500V 1S
- ◆Allowable Ambient Temperature Range:  
-10°C ~ +70°C(Operating)  
-40°C ~ +70°C(Storage)

### Dimensions Drawing(外观图)



### Characteristic Curves (特性曲线)



### Specifications/规格

型号 Model	轴承类型 Bearing Type	电压 Rated Voltage	电压范围 Operation Voltage	电流 Current	转速 Speed	风量 Air Flow	风压 Static Pressure	噪音 Noise Level	重量 Weight
		VDC	VDC	A	RPM	CFM	mmH <sub>2</sub> O	dBA	g
DFD8038S	Sleeve	12	10.8 ~ 13.2	2.00	9000	124.12	34.21	60.1	88
DFH8038S				1.30	7500	103.43	23.76	56.1	
DFM8038S				0.85	6000	82.74	15.21	51.3	
DFH8038B	Ball			2.00	9000	124.12	34.21	60.1	
DFM8038B				1.30	7500	103.43	23.76	56.1	
DFL8038B				0.85	6000	82.74	15.21	51.3	
DFD8038S	Sleeve	24	21.6 ~ 26.4	1.20	9000	124.12	34.21	60.1	
DFH8038S				0.70	7500	103.43	23.76	56.1	
DFM8038S				0.55	6000	82.74	15.21	51.3	
DFH8038B	Ball			1.20	9000	124.12	34.21	60.1	
DFM8038B				0.70	7500	103.43	23.76	56.1	
DFL8038B				0.55	6000	82.74	15.21	51.3	
DFL8038B	Ball	0.30	4500	62.06	8.56	45.0			

Notes: 1. The parameters listed above are for reference. 2. Individual specification will be according to approval sheet provided or customers requirement.

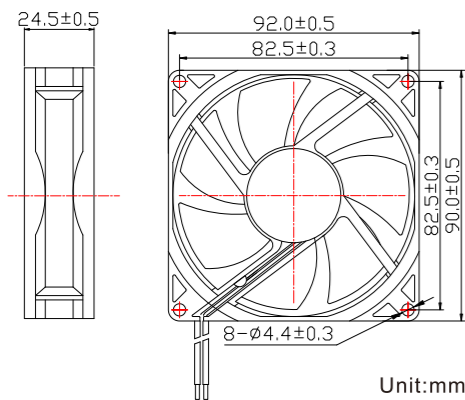
# 9025-A



### General Specifications (一般规格)

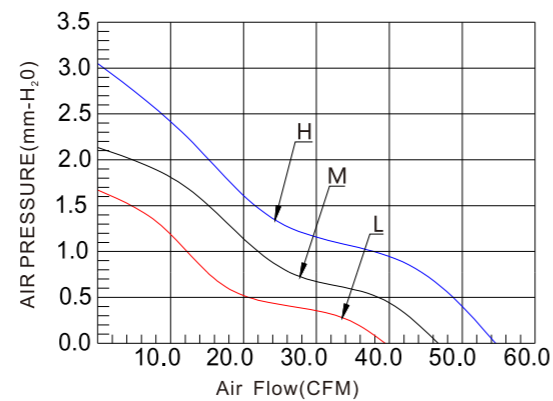
- ◆Material:  
Frame And Impeller:Thermal Plastic UL 94-0
- ◆Lead Wires:UL Type  
RED Wire Positive(+)  
Black Wire Negative(-)
- ◆Insulation Resistance:10MΩ Or Over With a DC250V Megger
- ◆Dielectric Withstand Voltage:AC500V 1S
- ◆Allowable Ambient Temperature Range:  
-10°C ~ +70°C(Operating)  
-40°C ~ +70°C(Storage)

### Dimensions Drawing(外观图)



Unit:mm

### Characteristic Curves (特性曲线)



### Specifications/规格

型号 Model	轴承类型 Bearing Type	电压 Rated Voltage	电压范围 Operation Voltage	电流 Current	转速 Speed	风量 Air Flow	风压 Static Pressure	噪音 Noise Level	重量 Weight
		VDC	VDC	A	RPM	CFM	mmH <sub>2</sub> O	dBA	g
DFH9025S	Sleeve	12	10.8 ~ 13.2	0.25	2800	54.73	3.04	32.8	85
DFM9025S				0.20	2500	46.46	2.11	28.6	
DFL9025S				0.16	2000	39.87	1.67	25.9	
DFH9025B	Ball			0.25	2800	54.73	3.04	32.8	
DFM9025B				0.20	2500	46.46	2.11	28.6	
DFL9025B				0.16	2000	39.87	1.67	25.9	
DFH9025S	Sleeve	24	21.6 ~ 26.4	0.15	2800	54.73	3.04	32.8	
DFM9025S				0.10	2500	46.46	2.11	28.6	
DFL9025S				0.07	2000	39.87	1.67	25.9	
DFH9025B	Ball			0.15	2800	54.73	3.04	32.8	
DFM9025B				0.10	2500	46.46	2.11	28.6	
DFL9025B				0.07	2000	39.87	1.67	25.9	

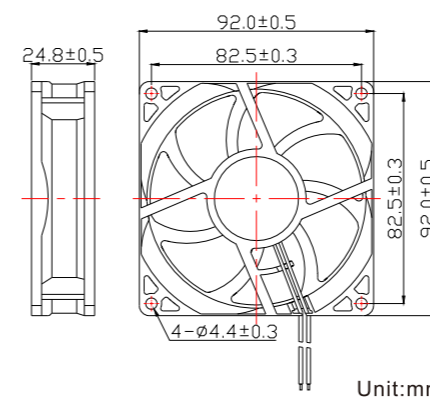
# 9025-B



### General Specifications (一般规格)

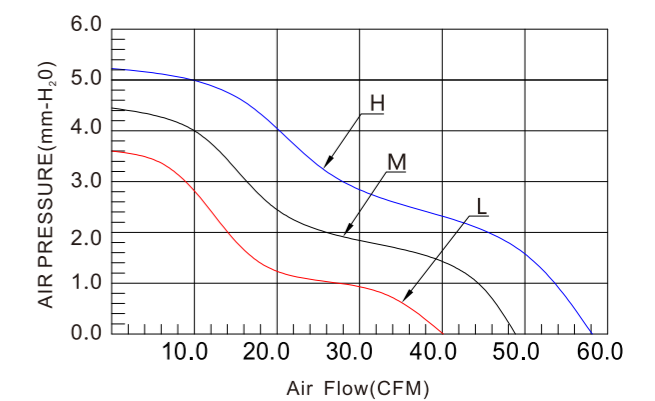
- ◆Material:  
Frame And Impeller:Thermal Plastic UL 94-0
- ◆Lead Wires:UL Type  
RED Wire Positive(+)  
Black Wire Negative(-)
- ◆Insulation Resistance:10MΩ Or Over With a DC250V Megger
- ◆Dielectric Withstand Voltage:AC500V 1S
- ◆Allowable Ambient Temperature Range:  
-10°C ~ +70°C(Operating)  
-40°C ~ +70°C(Storage)

### Dimensions Drawing(外观图)



Unit:mm

### Characteristic Curves (特性曲线)



### Specifications/规格

型号 Model	轴承类型 Bearing Type	电压 Rated Voltage	电压范围 Operation Voltage	电流 Current	转速 Speed	风量 Air Flow	风压 Static Pressure	噪音 Noise Level	重量 Weight
		VDC	VDC	A	RPM	CFM	mmH <sub>2</sub> O	dBA	g
DFH9025S	Hydraulic	12	10.8 ~ 13.2	0.25	2800	58.32	5.24	31.7	85
DFM9025S				0.20	2500	49.20	4.42	27.2	
DFL9025S				0.16	2000	40.10	3.60	23.7	
DFH9025B	Ball			0.25	2800	58.32	5.24	31.7	
DFM9025B				0.20	2500	49.20	4.42	27.2	
DFL9025B				0.16	2000	40.10	3.60	23.7	
DFH9025S	Hydraulic	24	21.6 ~ 26.4	0.15	2800	58.32	5.24	31.7	
DFM9025S				0.10	2500	49.20	4.42	27.2	
DFL9025S				0.07	2000	40.10	3.60	23.7	
DFH9025B	Ball			0.15	2800	58.32	5.24	31.7	
DFM9025B				0.10	2500	49.20	4.42	27.2	
DFL9025B				0.07	2000	40.10	3.60	23.7	

Notes:1. The parameters listed above are for reference. 2. Individual specification will be according to approval sheet provided or customers requirement.

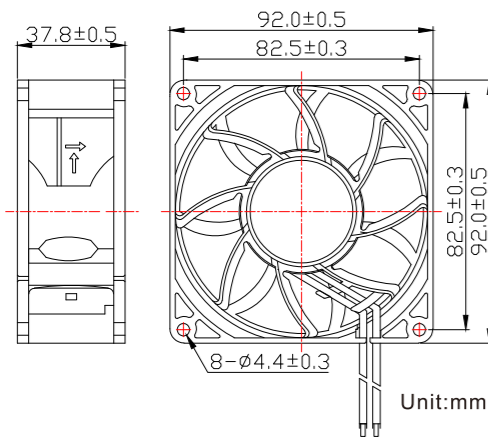
# 9238



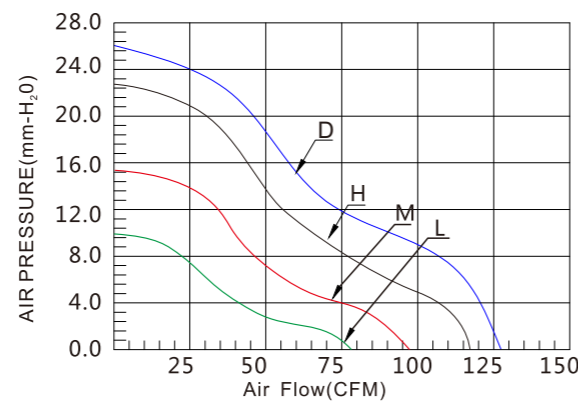
### General Specifications (一般规格)

- ◆Material:  
Frame And Impeller:Thermal Plastic UL 94-0
- ◆Lead Wires:UL Type  
RED Wire Positive(+)  
Black Wire Negative(-)
- ◆Insulation Resistance:10MΩ Or Over With a DC250V Megger
- ◆Dielectric Withstand Voltage:AC500V 1S
- ◆Allowable Ambient Temperature Range:  
-10°C ~ +70°C(Operating)  
-40°C ~ +70°C(Storage)

### Dimensions Drawing(外观图)



### Characteristic Curves (特性曲线)



### Specifications/规格

型号 Model	轴承类型 Bearing Type	电压 Rated Voltage	电压范围 Operation Voltage	电流 Current	转速 Speed	风量 Air Flow	风压 Static Pressure	噪音 Noise Level	重量 Weight
		VDC	VDC						
DFD9238S	Sleeve	12	10.8 ~ 13.2	2.00	6500	127.13	26.60	59.8	200
DFH9238S				1.35	6000	117.35	22.67	58.1	
DFM9238S				0.95	5000	97.79	15.74	54.1	
DFL9238S				0.75	4000	78.23	10.07	49.3	
DFD9238B	Ball			2.00	6500	127.13	26.60	59.8	
DFH9238B				1.35	6000	117.35	22.67	58.1	
DFM9238B				0.95	5000	97.79	15.74	54.1	
DFL9238B				0.75	4000	78.23	10.07	49.3	
DFD9238S	Sleeve	24	21.6 ~ 26.4	1.20	6500	127.13	26.60	59.8	
DFH9238S				0.65	6000	117.35	22.67	58.1	
DFM9238S				0.50	5000	97.79	15.74	54.1	
DFL9238S				0.35	4000	78.23	10.07	49.3	
DFD9238B	Ball			1.20	6500	127.13	26.60	59.8	
DFH9238B				0.65	6000	117.35	22.67	58.1	
DFM9238B				0.50	5000	97.79	15.74	54.1	
DFL9238B				0.35	4000	78.23	10.07	49.3	

Notes:1. The parameters listed above are for reference. 2. Individual specification will be according to approval sheet provided or customers requirement.

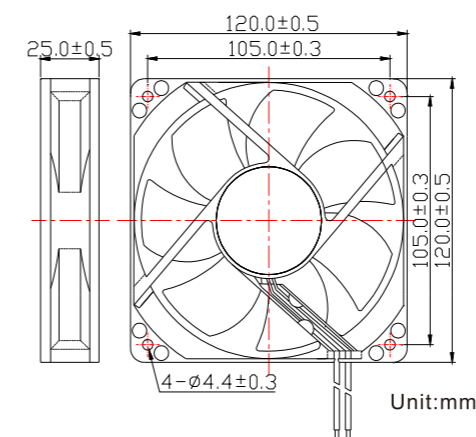
# 1225-A



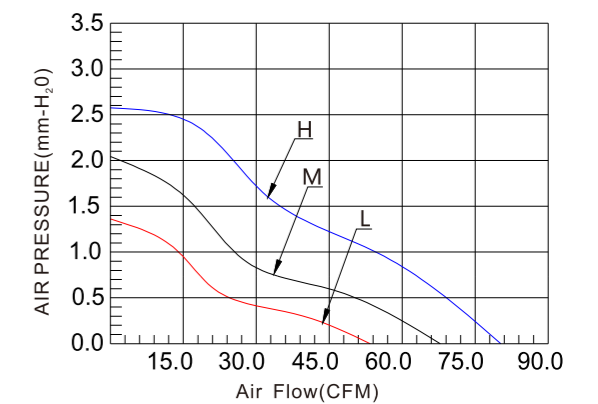
### General Specifications (一般规格)

- ◆Material:  
Frame And Impeller:Thermal Plastic UL 94-0
- ◆Lead Wires:UL Type  
RED Wire Positive(+)  
Black Wire Negative(-)
- ◆Insulation Resistance:10MΩ Or Over With a DC250V Megger
- ◆Dielectric Withstand Voltage:AC500V 1S
- ◆Allowable Ambient Temperature Range:  
-10°C ~ +70°C(Operating)  
-40°C ~ +70°C(Storage)

### Dimensions Drawing(外观图)



### Characteristic Curves (特性曲线)



### Specifications/规格

型号 Model	轴承类型 Bearing Type	电压 Rated Voltage	电压范围 Operation Voltage	电流 Current	转速 Speed	风量 Air Flow	风压 Static Pressure	噪音 Noise Level	重量 Weight
		VDC	VDC						
DFH1225S	Sleeve	12	10.8 ~ 13.2	0.30	2000	79.75	2.57	32.5	148
DFM1225S				0.25	1700	66.05	2.01	28.0	
DFL1225S				0.20	1400	52.58	1.37	24.4	
DFH1225B	Ball			0.30	2000	79.75	2.57	32.5	
DFM1225B				0.25	1700	66.05	2.01	28.0	
DFL1225B				0.20	1400	52.58	1.37	24.4	
DFH1225S	Sleeve	24	21.6 ~ 26.4	0.23	2000	79.75	2.57	32.5	
DFM1225S				0.18	1700	66.05	2.01	28.0	
DFL1225S				0.13	1400	52.58	1.37	24.4	
DFH1225B	Ball			0.23	2000	79.75	2.57	32.5	
DFM1225B				0.18	1700	66.05	2.01	28.0	
DFL1225B				0.13	1400	52.58	1.37	24.4	

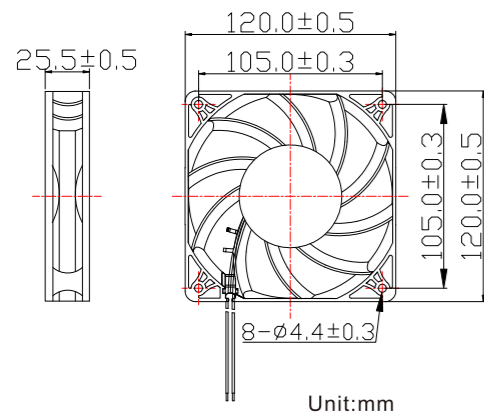
# 1225-B



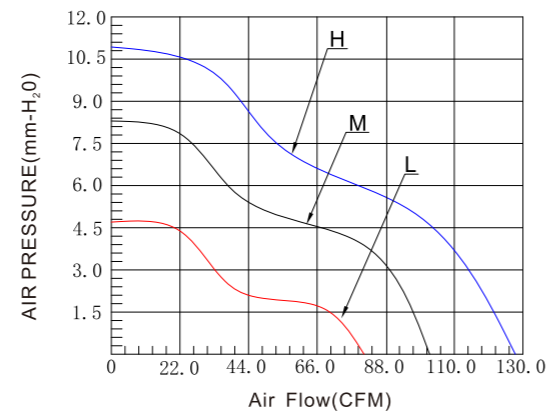
### General Specifications (一般规格)

- ◆Material:  
Frame And Impeller:Thermal Plastic UL 94-0
- ◆Lead Wires:UL Type  
RED Wire Positive(+)  
Black Wire Negative(-)
- ◆Insulation Resistance:10MΩ Or Over With a DC250V Megger
- ◆Dielectric Withstand Voltage:AC500V 1S
- ◆Allowable Ambient Temperature Range:  
-10°C ~ +70°C(Operating)  
-40°C ~ +70°C(Storage)

### Dimensions Drawing(外观图)



### Characteristic Curves (特性曲线)



### Specifications/规格

型号 Model	轴承类型 Bearing Type	电压 Rated Voltage	电压范围 Operation Voltage	电流 Current	转速 Speed	风量 Air Flow	风压 Static Pressure	噪音 Noise Level	重量 Weight
		VDC	VDC	A	RPM	CFM	mmH <sub>2</sub> O	dBA	g
DFH1225B	Ball	12	10.8~13.2	1.20	3800	129.39	10.94	53.8	148
DFM1225B				0.80	3000	102.15	6.82	48.7	
DFL1225B				0.40	2500	85.13	4.73	44.7	
DFH1225B		24	21.6~26.4	0.60	3800	129.39	10.94	53.8	
DFM1225B				0.40	3000	102.15	6.82	48.7	
DFL1225B				0.30	2500	85.13	4.73	44.7	

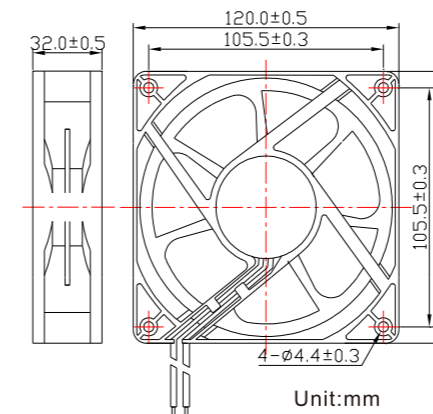
# 1232



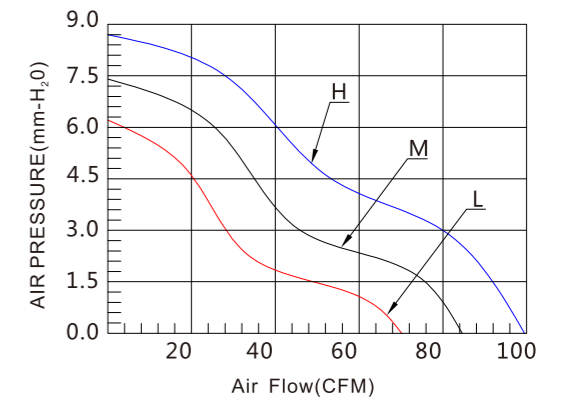
### General Specifications (一般规格)

- ◆Material:  
Frame And Impeller:Thermal Plastic UL 94-0
- ◆Lead Wires:UL Type  
RED Wire Positive(+)  
Black Wire Negative(-)
- ◆Insulation Resistance:10MΩ Or Over With a DC250V Megger
- ◆Dielectric Withstand Voltage:AC500V 1S
- ◆Allowable Ambient Temperature Range:  
-10°C ~ +70°C(Operating)  
-40°C ~ +70°C(Storage)

### Dimensions Drawing(外观图)



### Characteristic Curves (特性曲线)



### Specifications/规格

型号 Model	轴承类型 Bearing Type	电压 Rated Voltage	电压范围 Operation Voltage	电流 Current	转速 Speed	风量 Air Flow	风压 Static Pressure	噪音 Noise Level	重量 Weight
		VDC	VDC	A	RPM	CFM	mmH <sub>2</sub> O	dBA	g
DFH1232S	Sleeve	12	10.8 ~ 13.2	0.60	3500	99.00	8.7	52.1	230
DFM1232S				0.50	3000	84.86	7.46	44.7	
DFL1232S				0.32	2500	70.72	6.22	37.2	
DFH1232B	Ball			0.60	3500	99.00	8.7	52.1	
DFM1232B				0.50	3000	84.86	7.46	44.7	
DFL1232B				0.32	2500	70.72	6.22	37.2	
DFH1232S	Sleeve	24	21.6 ~ 26.4	0.40	3500	99.00	8.7	52.1	
DFM1232S				0.30	3000	84.86	7.46	44.7	
DFL1232S				0.20	2500	70.72	6.22	37.2	
DFH1232B	Ball			0.40	3500	99.00	8.7	52.1	
DFM1232B				0.30	3000	84.86	7.46	44.7	
DFL1232B				0.20	2500	70.72	6.22	37.2	

Notes:1. The parameters listed above are for reference. 2. Individual specification will be according to approval sheet provided or customers requirement.

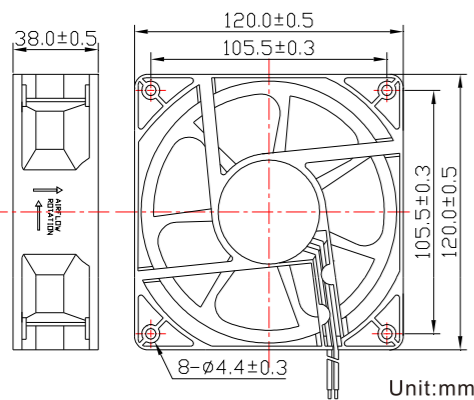
# 1238-A



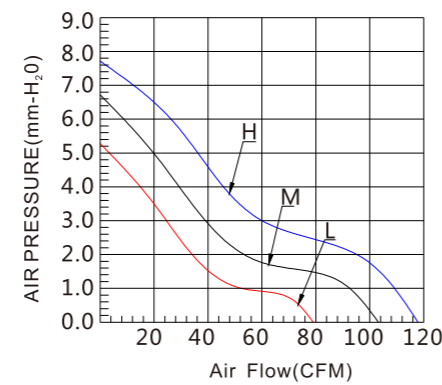
### General Specifications (一般规格)

- ◆Material:  
Frame And Impeller:Thermal Plastic UL 94-0
- ◆Lead Wires:UL Type  
RED Wire Positive(+)  
Black Wire Negative(-)
- ◆Insulation Resistance:10MΩ Or Over With a DC250V Megger
- ◆Dielectric Withstand Voltage:AC500V 1S
- ◆Allowable Ambient Temperature Range:  
-10°C ~ +70°C(Operating)  
-40°C ~ +70°C(Storage)

### Dimensions Drawing(外观图)



### Characteristic Curves (特性曲线)



### Specifications/规格

型号 Model	轴承类型 Bearing Type	电压 Rated Voltage	电压范围 Operation Voltage	电流 Current	转速 Speed	风量 Air Flow	风压 Static Pressure	噪音 Noise Level	重量 Weight
		VDC	VDC	A	RPM	CFM	mmH <sub>2</sub> O	dBA	g
DFH1238S	Sleeve	12	10.8~13.2	0.60	3000	119.49	7.81	44.5	265
DFM1238S				0.45	2700	107.54	6.66	41.5	
DFL1238S				0.30	2400	79.66	5.26	39.9	
DFH1238B	Ball			0.60	3000	119.49	7.81	44.5	
DFM1238B				0.45	2700	107.54	6.66	41.5	
DFL1238B				0.30	2400	79.66	5.26	39.9	
DFH1238S	Sleeve	24	21.6~26.4	0.40	3000	119.49	7.81	44.5	
DFM1238S				0.30	2700	107.54	6.66	41.5	
DFL1238S				0.20	2400	79.66	5.26	39.9	
DFH1238B	Ball			0.40	3000	119.49	7.81	44.5	
DFM1238B				0.30	2700	107.54	6.66	41.5	
DFL1238B				0.20	2400	79.66	5.26	39.9	

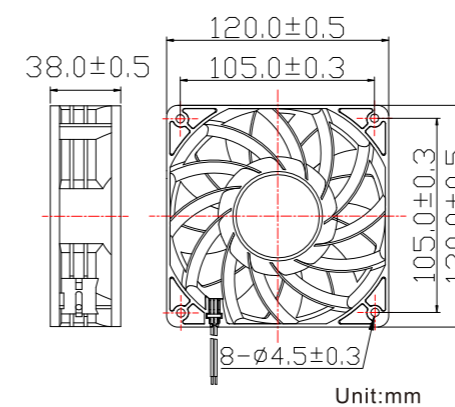
# 1238-B



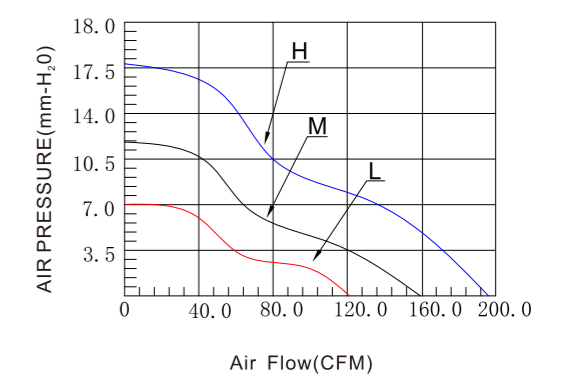
### General Specifications (一般规格)

- ◆Material:  
Frame And Impeller:Thermal Plastic UL 94-0
- ◆Lead Wires:UL Type  
RED Wire Positive(+)  
Black Wire Negative(-)
- ◆Insulation Resistance:10MΩ Or Over With a DC250V Megger
- ◆Dielectric Withstand Voltage:AC500V 1S
- ◆Allowable Ambient Temperature Range:  
-10°C ~ +70°C(Operating)  
-40°C ~ +70°C(Storage)

### Dimensions Drawing(外观图)



### Characteristic Curves (特性曲线)



### Specifications/规格

型号 Model	轴承类型 Bearing Type	电压 Rated Voltage	电压范围 Operation Voltage	电流 Current	转速 Speed	风量 Air Flow	风压 Static Pressure	噪音 Noise Level	重量 Weight
		VDC	VDC	A	RPM	CFM	mmH <sub>2</sub> O	dBA	g
DFH1238B	Ball	12	10.8~13.2	3.00	4300	193.92	17.83	60.4	265
DFM1238B				1.50	3500	157.84	11.81	55.9	
DFL1238B				0.80	2700	121.26	7.03	50.3	
DFH1238B		24	21.6~26.4	1.50	4300	193.92	17.83	60.4	
DFM1238B				1.00	3500	157.84	11.81	55.9	
DFL1238B				0.50	2700	121.26	7.03	50.3	

Notes:1. The parameters listed above are for reference. 2. Individual specification will be according to approval sheet provided or customers requirement.

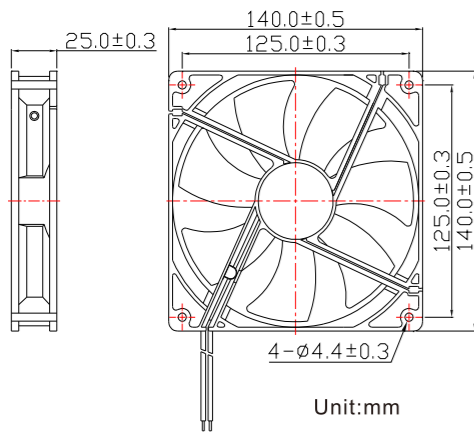
# 1425



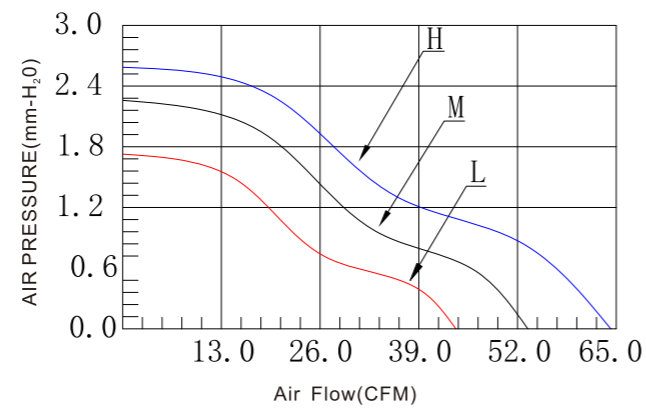
### General Specifications (一般规格)

- ◆Material:  
Frame And Impeller:Thermal Plastic UL 94-0
- ◆Lead Wires:UL Type  
RED Wire Positive(+)  
Black Wire Negative(-)
- ◆Insulation Resistance:10MΩ Or Over With a DC250V Megger
- ◆Dielectric Withstand Voltage:AC500V 1S
- ◆Allowable Ambient Temperature Range:  
-10°C ~ +70°C(Operating)  
-40°C ~ +70°C(Storage)

### Dimensions Drawing(外观图)



### Characteristic Curves (特性曲线)



### Specifications/规格

型号 Model	轴承类型 Bearing Type	电压 Rated Voltage	电压范围 Operation Voltage	电流 Current	转速 Speed	风量 Air Flow	风压 Static Pressure	噪音 Noise Level	重量 Weight
		VDC	VDC	A	RPM	CFM	mmH <sub>2</sub> O	dBA	g
DFH1425S	Sleeve	12	10.8~13.2	0.30	1800	64.27	2.60	28.5	158
DFM1425S				0.20	1500	53.56	2.20	23.7	
DFL1425S				0.15	1200	42.85	1.73	18.9	
DFH1425B	Ball			0.30	1800	64.27	2.60	28.5	
DFM1425B				0.20	1500	53.56	2.20	23.7	
DFL1425B				0.15	1200	42.85	1.73	18.9	
DFH1425S	Sleeve	24	21.6~26.4	0.20	1800	64.27	2.60	28.5	
DFM1425S				0.15	1500	53.56	2.20	23.7	
DFL1425S				0.08	1200	42.85	1.73	18.9	
DFH1425B	Ball			0.20	1800	64.27	2.60	28.5	
DFM1425B				0.15	1500	53.56	2.20	23.7	
DFL1425B				0.08	1200	42.85	1.73	18.9	

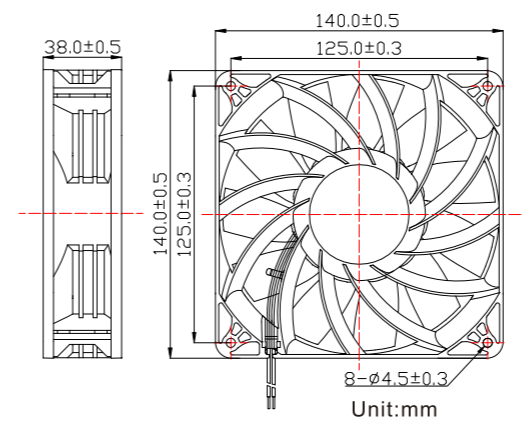
# 1438



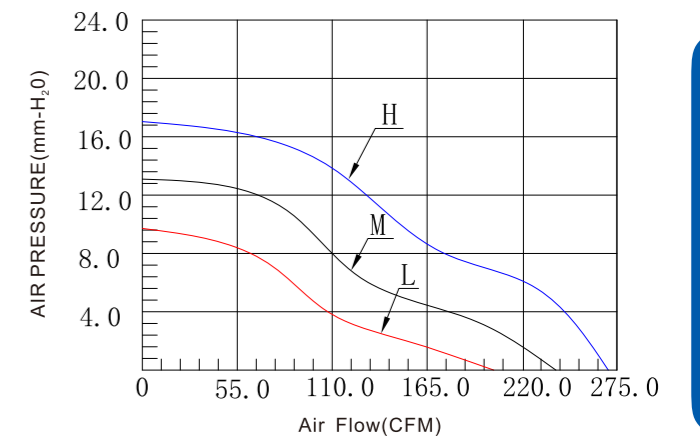
### General Specifications (一般规格)

- ◆Material:  
Frame And Impeller:Thermal Plastic UL 94-0
- ◆Lead Wires:UL Type  
RED Wire Positive(+)  
Black Wire Negative(-)
- ◆Insulation Resistance:10MΩ Or Over With a DC250V Megger
- ◆Dielectric Withstand Voltage:AC500V 1S
- ◆Allowable Ambient Temperature Range:  
-10°C ~ +70°C(Operating)  
-40°C ~ +70°C(Storage)

### Dimensions Drawing(外观图)



### Characteristic Curves (特性曲线)



### Specifications/规格

型号 Model	轴承类型 Bearing Type	电压 Rated Voltage	电压范围 Operation Voltage	电流 Current	转速 Speed	风量 Air Flow	风压 Static Pressure	噪音 Noise Level	重量 Weight
		VDC	VDC	A	RPM	CFM	mmH <sub>2</sub> O	dBA	g
DFH1438B	Ball	12	10.8~13.2	2.50	3300	267.97	17.05	49.1	370
DFM1438B				2.00	2900	238.95	13.17	46.6	
DFL1438B				1.80	2500	203.01	9.79	43.7	
DFH1438B		24	21.6~26.4	1.50	3300	267.97	17.05	49.1	
DFM1438B				1.30	2900	238.95	13.17	46.6	
DFL1438B				1.00	2500	203.01	9.79	43.7	

Notes:1. The parameters listed above are for reference. 2. Individual specification will be according to approval sheet provided or customers requirement.

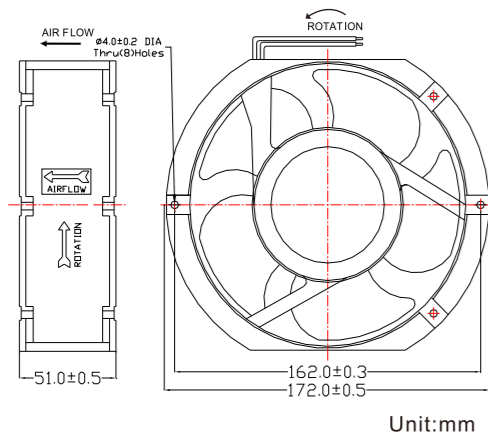
# 1751



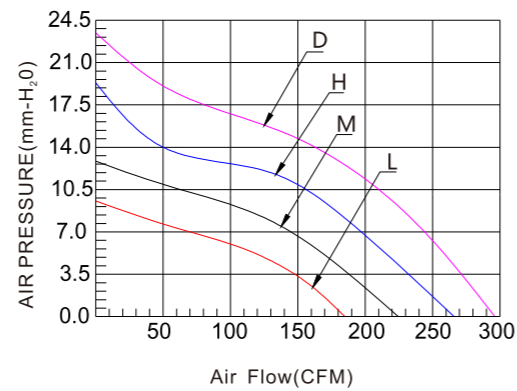
### General Specifications (一般规格)

- ◆ Material:  
Impeller: Thermal Plastic UL 94V-0  
Frame : Aluminium Alloy
- ◆ Lead Wires: UL Type  
RED Wire Positive(+)  
Black Wire Negative(-)
- ◆ Insulation Resistance: 10M Or Over With a DC250V Megger
- ◆ Dielectric Withstand Voltage: AC500V 1S
- ◆ Allowable Ambient Temperature Range:  
-10°C ~ +70°C(Operating)  
-40°C ~ +70°C(Storage)

### Dimensions Drawing(外观图)



### Characteristic Curves (特性曲线)



### Specifications/规格

型号 Model	轴承类型 Bearing Type	电压 Rated Voltage	电压范围 Operation Voltage	电流 Current	转速 Speed	风量 Air Flow	风压 Static Pressure	噪音 Noise Level	重量 Weight
		VDC	VDC						
DFD17051B	Ball	24	21.6 ~ 26.4	1.50	4000	296.00	24.04	74.4	760
DFH17051B				1.00	3600	266.00	19.48	67.0	
DFM17051B				0.60	3000	222.00	13.54	55.8	
DFL17051B				0.40	2500	185.00	9.40	46.5	
DFD17051B		48	43.2 ~ 52.8	0.80	4000	296.00	24.04	74.4	
DFH17051B				0.60	3600	266.00	19.48	67.0	
DFM17051B				0.35	3000	222.00	13.54	55.8	
DFL17051B				0.25	2500	185.00	9.40	46.5	

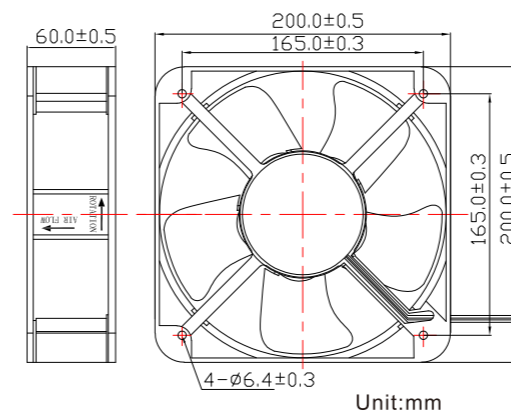
# 2060



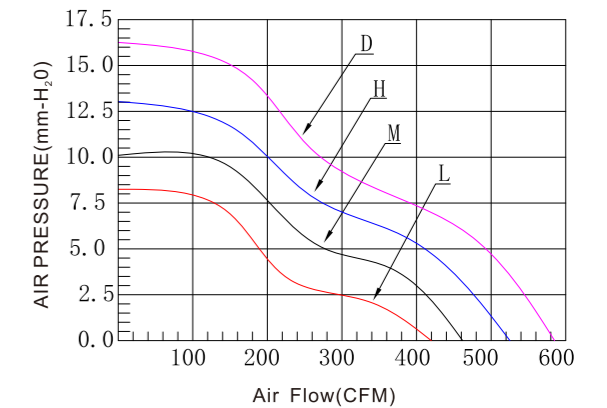
### General Specifications (一般规格)

- ◆ Material:  
Impeller: Thermal Plastic UL 94V-0  
Frame : Aluminium Alloy
- ◆ Lead Wires: UL Type  
RED Wire Positive(+)  
Black Wire Negative(-)
- ◆ Insulation Resistance: 10M Or Over With a DC250V Megger
- ◆ Dielectric Withstand Voltage: AC500V 1S
- ◆ Allowable Ambient Temperature Range:  
-10°C ~ +70°C(Operating)  
-40°C ~ +70°C(Storage)

### Dimensions Drawing(外观图)



### Characteristic Curves (特性曲线)



### Specifications/规格

型号 Model	轴承类型 Bearing Type	电压 Rated Voltage	电压范围 Operation Voltage	电流 Current	转速 Speed	风量 Air Flow	风压 Static Pressure	噪音 Noise Level	重量 Weight
		VDC	VDC						
DFD20060B	Ball	24	21.6 ~ 26.4	2.00	2800	580.56	14.88	62.9	1520
DFH20060B				1.50	2500	518.36	11.86	60.4	
DFM20060B				1.00	2200	456.15	9.19	57.7	
DFL20060B				0.70	2000	414.69	7.59	55.6	
DFD20060B		48	43.2 ~ 52.8	1.10	2800	580.56	14.88	62.9	
DFH20060B				0.80	2500	518.36	11.86	60.4	
DFM20060B				0.60	2200	456.15	9.19	57.7	
DFL20060B				0.40	2000	414.69	7.59	55.6	

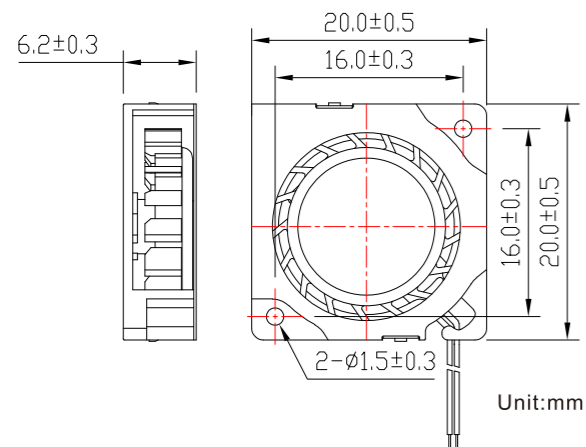
# 2006



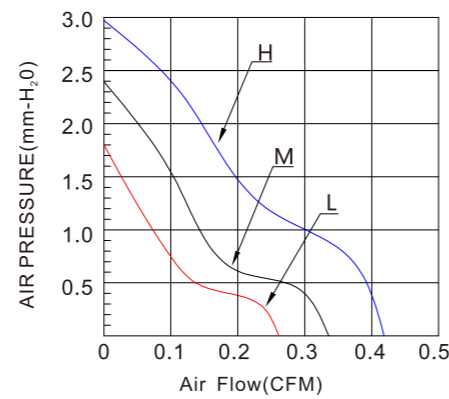
### General Specifications (一般规格)

- ◆Material:  
Frame And Impeller:Thermal Plastic UL 94-0
- ◆Lead Wires:UL Type  
RED Wire Positive(+)  
Black Wire Negative(-)
- ◆Insulation Resistance:10MΩ Or Over With a DC250V Megger
- ◆Dielectric Withstand Voltage:AC500V 1S
- ◆Allowable Ambient Temperature Range:  
-10°C ~ +70°C(Operating)  
-40°C ~ +70°C(Storage)

### Dimensions Drawing(外观图)



### Characteristic Curves (特性曲线)



### Specifications/规格

型号 Model	轴承类型 Bearing Type	电压 Rated Voltage	电压范围 Operation Voltage	电流 Current	转数 Speed	风量 Air Flow	风压 Static Pressure	噪音 Noise Level	重量 Weight
		VDC	VDC						
DFH2006S	Hydraulic	5	4.5~5.5	0.16	15000	0.41	2.99	36.0	4
DFM2006S				0.12	12000	0.33	2.39	28.8	
DFL2006S				0.08	9000	0.25	1.79	21.6	

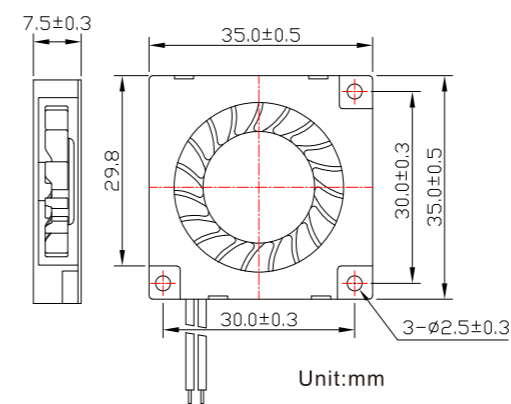
# 3507



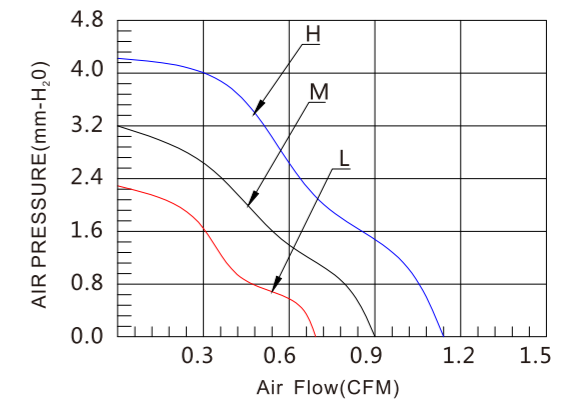
### General Specifications (一般规格)

- ◆Material:  
Frame And Impeller:Thermal Plastic UL 94-0
- ◆Lead Wires:UL Type  
RED Wire Positive(+)  
Black Wire Negative(-)
- ◆Insulation Resistance:10MΩ Or Over With a DC250V Megger
- ◆Dielectric Withstand Voltage:AC500V 1S
- ◆Allowable Ambient Temperature Range:  
-10°C ~ +70°C(Operating)  
-40°C ~ +70°C(Storage)

### Dimensions Drawing(外观图)



### Characteristic Curves (特性曲线)



### Specifications/规格

型号 Model	轴承类型 Bearing Type	电压 Rated Voltage	电压范围 Operation Voltage	电流 Current	转数 Speed	风量 Air Flow	风压 Static Pressure	噪音 Noise Level	重量 Weight
		VDC	VDC						
DBH3507S	Hydraulic	5	4.5~5.5	0.20	6500	1.06	4.47	22.5	13
DBM3507S				0.15	5500	0.90	3.20	19.0	
DBL3507S				0.10	4500	0.74	2.14	18.5	

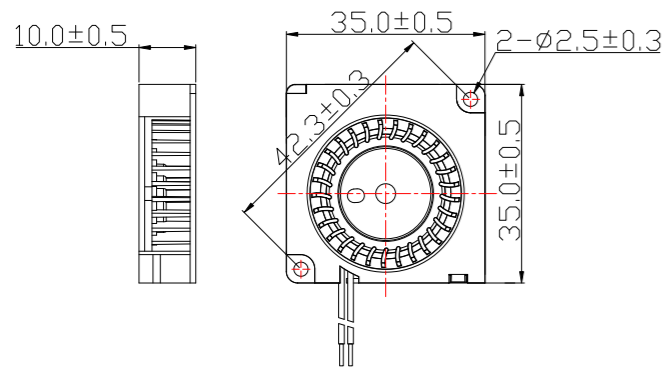
# 3510



### General Specifications (一般规格)

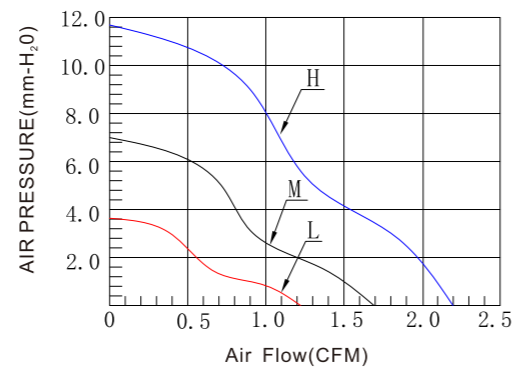
- ◆Material:  
Frame And Impeller:Thermal Plastic UL 94-0
- ◆Lead Wires:UL Type  
RED Wire Positive(+)  
Black Wire Negative(-)
- ◆Insulation Resistance:10MΩ Or Over With a DC250V Megger
- ◆Dielectric Withstand Voltage:AC500V 1S
- ◆Allowable Ambient Temperature Range:  
-10°C ~ +70°C(Operating)  
-40°C ~ +70°C(Storage)

### Dimensions Drawing(外观图)



Unit:mm

### Characteristic Curves (特性曲线)



### Specifications/规格

型号 Model	轴承类型 Bearing Type	电压 Rated Voltage	电压范围 Operation Voltage	电流 Current	转速 Speed	风量 Air Flow	风压 Static Pressure	噪音 Noise Level	重量 Weight
		VDC	VDC	A	RPM	CFM	mmH <sub>2</sub> O	dBA	g
DFH3510S	Sleeve	5	4.5~5.5	0.35	9000	2.19	11.70	35.6	10
DFM3510S				0.25	7000	1.69	7.07	30.7	
DFL3510S				0.15	5000	1.21	3.61	24.1	
DFH3510B	Ball			0.35	9000	2.19	11.70	35.6	
DFM3510B				0.25	7000	1.69	7.07	30.7	
DFL3510B				0.15	5000	1.21	3.61	24.1	
DFH3510S	Sleeve	12	10.8~13.2	0.20	9000	2.19	11.70	35.6	
DFM3510S				0.15	7000	1.69	7.07	30.7	
DFL3510S				0.10	5000	1.21	3.61	24.1	
DFH3510B	Ball			0.20	9000	2.19	11.70	35.6	
DFM3510B				0.15	7000	1.69	7.07	30.7	
DFL3510B				0.10	5000	1.21	3.61	24.1	

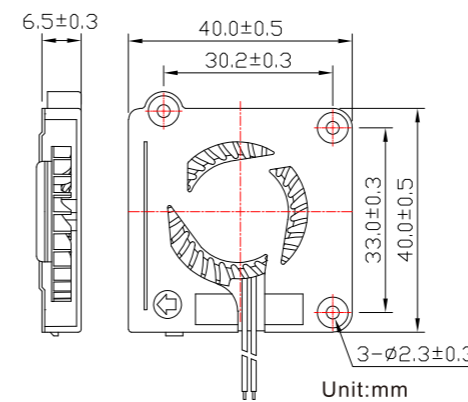
# 4008



### General Specifications (一般规格)

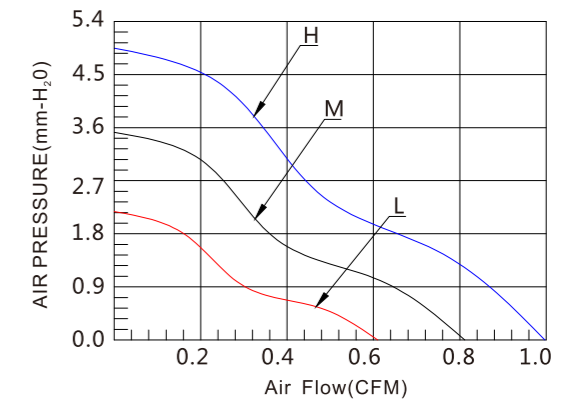
- ◆Material:  
Frame And Impeller:Thermal Plastic UL 94-0
- ◆Lead Wires:UL Type  
RED Wire Positive(+)  
Black Wire Negative(-)
- ◆Insulation Resistance:10MΩ Or Over With a DC250V Megger
- ◆Dielectric Withstand Voltage:AC500V 1S
- ◆Allowable Ambient Temperature Range:  
-10°C ~ +70°C(Operating)  
-40°C ~ +70°C(Storage)

### Dimensions Drawing(外观图)



Unit:mm

### Characteristic Curves (特性曲线)



### Specifications/规格

型号 Model	轴承类型 Bearing Type	电压 Rated Voltage	电压范围 Operation Voltage	电流 Current	转速 Speed	风量 Air Flow	风压 Static Pressure	噪音 Noise Level	重量 Weight
		VDC	VDC	A	RPM	CFM	mmH <sub>2</sub> O	dBA	g
DFH4008S	Hydraulic	5	4.5~5.5	0.20	6500	0.97	4.92	33.3	15
DFM4008S				0.15	5500	0.81	3.53	29.7	
DFL4008S				0.10	4500	0.67	2.36	25.4	

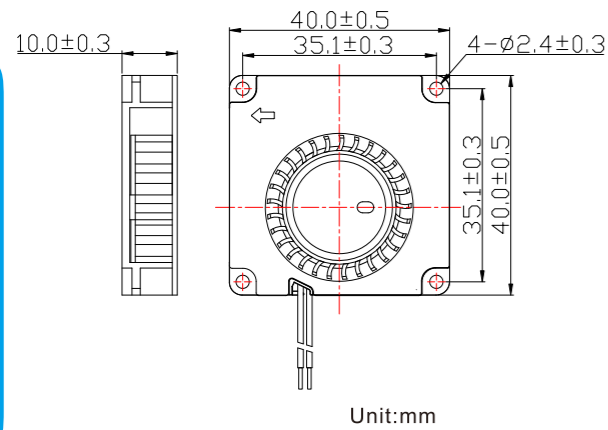
# 4010



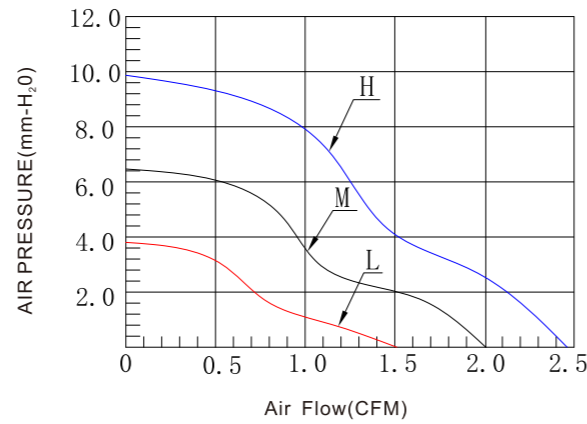
### General Specifications (一般规格)

- ◆Material:  
Frame And Impeller:Thermal Plastic UL 94-0
- ◆Lead Wires:UL Type  
RED Wire Positive(+)  
Black Wire Negative(-)
- ◆Insulation Resistance:10MΩ Or Over With a DC250V Megger
- ◆Dielectric Withstand Voltage:AC500V 1S
- ◆Allowable Ambient Temperature Range:  
-10°C ~ +70°C(Operating)  
-40°C ~ +70°C(Storage)

### Dimensions Drawing(外观图)



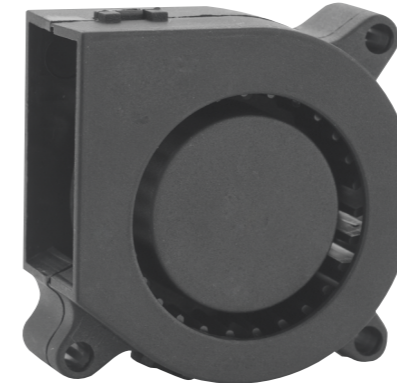
### Characteristic Curves (特性曲线)



### Specifications/规格

型号 Model	轴承类型 Bearing Type	电压 Rated Voltage VDC	电压范围 Operation Voltage VDC	电流 Current A	转速 Speed RPM	风量 Air Flow CFM	风压 Static Pressure mmH <sub>2</sub> O	噪音 Noise Level dBA	重量 Weight g
DFH4010S	Sleeve	5	4.5~5.5	0.40	8000	2.46	9.79	26.3	20
DFM4010S				0.30	6500	2.00	6.46	22.2	
DFL4010S				0.20	5000	1.54	3.83	18.5	
DFH4010B	Ball			0.40	8000	2.46	9.79	26.3	
DFM4010B				0.30	6500	2.00	6.46	22.2	
DFL4010B				0.20	5000	1.54	3.83	18.5	
DFH4010S	Sleeve	12	10.8~13.2	0.20	8000	2.46	9.79	26.3	
DFM4010S				0.15	6500	2.00	6.46	22.2	
DFL4010S				0.10	5000	1.54	3.83	18.5	
DFH4010B	Ball			0.20	8000	2.46	9.79	26.3	
DFM4010B				0.15	6500	2.00	6.46	22.2	
DFL4010B				0.10	5000	1.54	3.83	18.5	

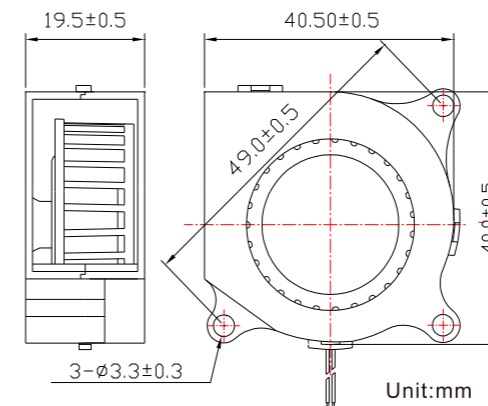
# 4020



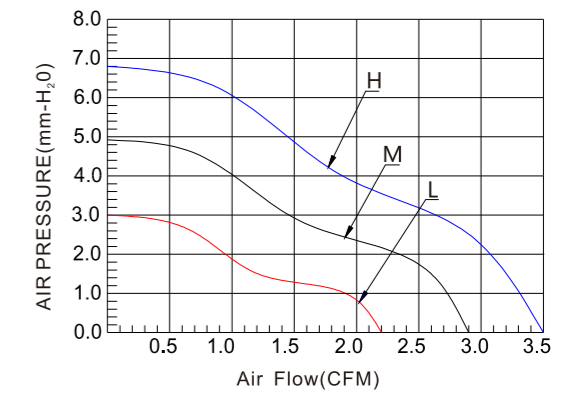
### General Specifications (一般规格)

- ◆Material:  
Frame And Impeller:Thermal Plastic UL 94-0
- ◆Lead Wires:UL Type  
RED Wire Positive(+)  
Black Wire Negative(-)
- ◆Insulation Resistance:10MΩ Or Over With a DC250V Megger
- ◆Dielectric Withstand Voltage:AC500V 1S
- ◆Allowable Ambient Temperature Range:  
-10°C ~ +70°C(Operating)  
-40°C ~ +70°C(Storage)

### Dimensions Drawing(外观图)



### Characteristic Curves (特性曲线)



### Specifications/规格

型号 Model	轴承类型 Bearing Type	电压 Rated Voltage VDC	电压范围 Operation Voltage VDC	电流 Current A	转速 Speed RPM	风量 Air Flow CFM	风压 Static Pressure mmH <sub>2</sub> O	噪音 Noise Level dBA	重量 Weight g
DFH4020S	Sleeve	5	4.5~5.5	0.26	5300	3.50	6.80	29.6	25
DFM4020S				0.20	4200	2.90	4.90	25.5	
DFL4020S				0.14	3000	2.20	3.00	21.4	
DFH4020S		12	10.8~13.2	0.12	6000	4.10	8.50	34.8	
DFM4020S				0.08	5300	3.50	6.80	29.6	
DFL4020S				0.06	4200	2.90	4.90	25.5	

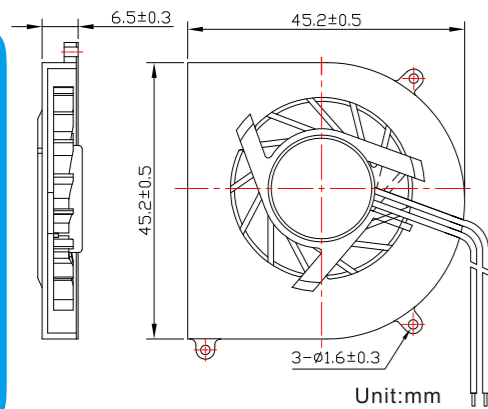
# 4506-A



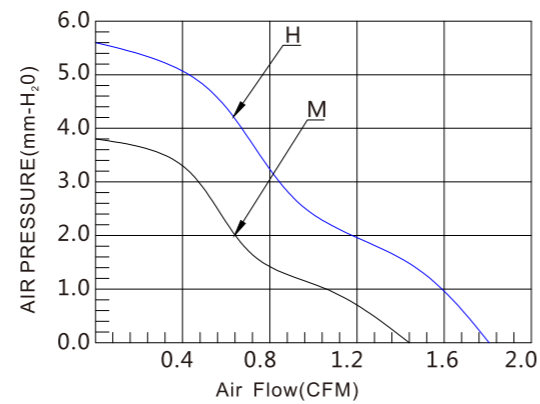
### General Specifications (一般规格)

- ◆Material:  
Frame And Impeller:Thermal Plastic UL 94-0
- ◆Lead Wires:UL Type  
RED Wire Positive(+)  
Black Wire Negative(-)
- ◆Insulation Resistance:10MΩ Or Over With a DC250V Megger
- ◆Dielectric Withstand Voltage:AC500V 1S
- ◆Allowable Ambient Temperature Range:  
-10°C ~ +70°C(Operating)  
-40°C ~ +70°C(Storage)

### Dimensions Drawing(外观图)



### Characteristic Curves (特性曲线)



### Specifications/规格

型号 Model	轴承类型 Bearing Type	电压 Rated Voltage	电压范围 Operation Voltage	电流 Current	转速 Speed	风量 Air Flow	风压 Static Pressure	噪音 Noise Level	重量 Weight
		VDC	VDC	A	RPM	CFM	mmH <sub>2</sub> O	dBA	g
DBH4506S	Hydraulic	5	4.5 ~ 5.5	0.25	5500	1.85	5.76	29.2	14
DBM4506S				0.22	4500	1.51	3.86	24.9	
DBH4506S		12	10.8 ~ 13.2	0.15	5500	1.85	5.76	29.2	
DBM4506S				0.1	4500	1.51	3.86	24.9	

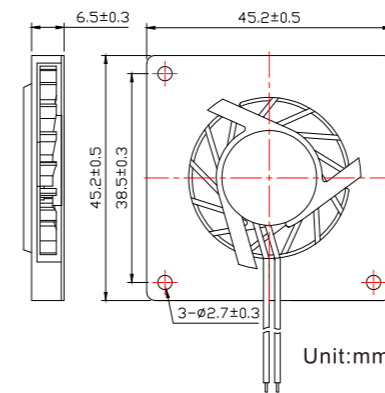
# 4506-B



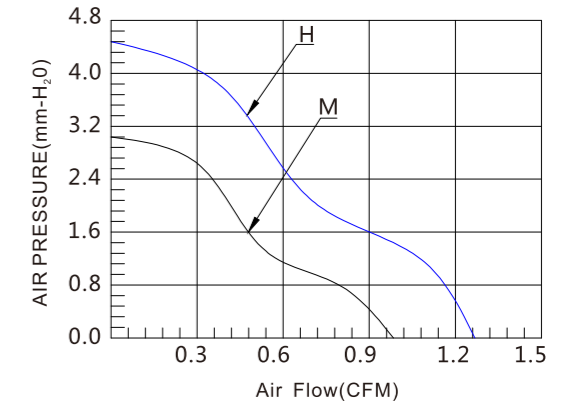
### General Specifications (一般规格)

- ◆Material:  
Frame And Impeller:Thermal Plastic UL 94-0
- ◆Lead Wires:UL Type  
RED Wire Positive(+)  
Black Wire Negative(-)
- ◆Insulation Resistance:10MΩ Or Over With a DC250V Megger
- ◆Dielectric Withstand Voltage:AC500V 1S
- ◆Allowable Ambient Temperature Range:  
-10°C ~ +70°C(Operating)  
-40°C ~ +70°C(Storage)

### Dimensions Drawing(外观图)



### Characteristic Curves (特性曲线)



### Specifications/规格

型号 Model	轴承类型 Bearing Type	电压 Rated Voltage	电压范围 Operation Voltage	电流 Current	转速 Speed	风量 Air Flow	风压 Static Pressure	噪音 Noise Level	重量 Weight
		VDC	VDC	A	RPM	CFM	mmH <sub>2</sub> O	dBA	g
DBH4506S	Hydraulic	5	4.5 ~ 5.5	0.25	5500	1.33	4.55	36.0	14
DBM4506S				0.20	4500	1.09	3.05	31.7	
DBH4506S		12	10.8 ~ 13.2	0.15	5500	1.33	4.55	36.0	
DBM4506S				0.10	4500	1.09	3.05	31.7	

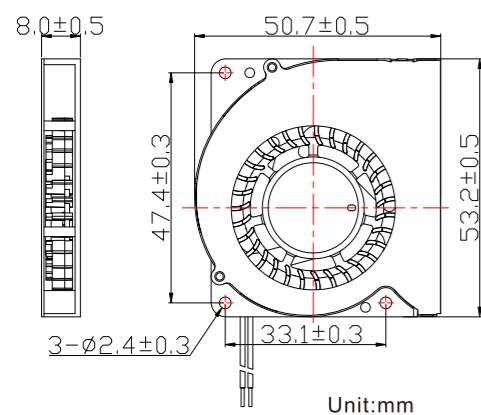
## 5008-B



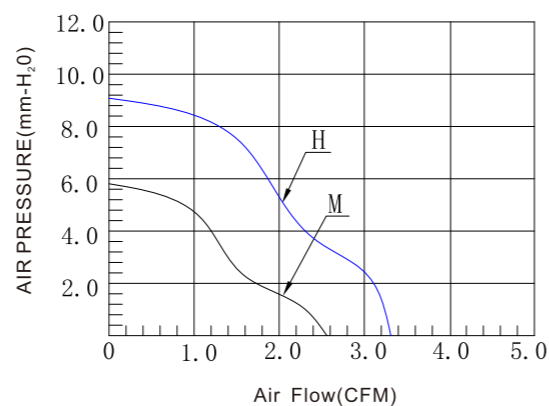
### General Specifications (一般规格)

- ◆Material:  
Frame And Impeller:Thermal Plastic UL 94-0
- ◆Lead Wires:UL Type  
RED Wire Positive(+)  
Black Wire Negative(-)
- ◆Insulation Resistance:10MΩ Or Over With a DC250V Megger
- ◆Dielectric Withstand Voltage:AC500V 1S
- ◆Allowable Ambient Temperature Range:  
-10°C ~ +70°C(Operating)  
-40°C ~ +70°C(Storage)

### Dimensions Drawing(外观图)



### Characteristic Curves (特性曲线)



### Specifications/规格

型号 Model	轴承类型 Bearing Type	电压 Rated Voltage	电压范围 Operation Voltage	电流 Current	转速 Speed	风量 Air Flow	风压 Static Pressure	噪音 Noise Level	重量 Weight
		VDC	VDC	A	RPM	CFM	mmH <sub>2</sub> O	dBA	g
DBH5008S	Hydraulic	5	4.5~5.5	0.25	4500	3.31	9.57	24.5	20
DBM5008S				0.20	3500	2.58	5.78	19.5	
DBH5008S		12	10.8~13.2	0.12	4500	3.31	9.57	24.5	
DBM5008S				0.10	3500	2.58	5.78	19.5	

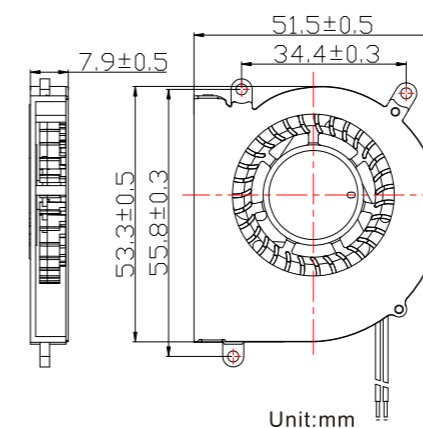
## 5008-C



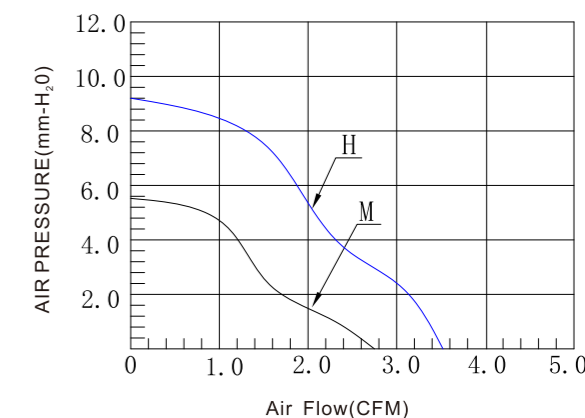
### General Specifications (一般规格)

- ◆Material:  
Frame And Impeller:Thermal Plastic UL 94-0
- ◆Lead Wires:UL Type  
RED Wire Positive(+)  
Black Wire Negative(-)
- ◆Insulation Resistance:10MΩ Or Over With a DC250V Megger
- ◆Dielectric Withstand Voltage:AC500V 1S
- ◆Allowable Ambient Temperature Range:  
-10°C ~ +70°C(Operating)  
-40°C ~ +70°C(Storage)

### Dimensions Drawing(外观图)



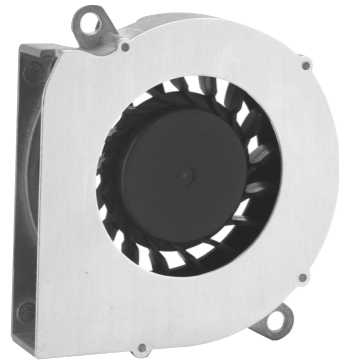
### Characteristic Curves (特性曲线)



### Specifications/规格

型号 Model	轴承类型 Bearing Type	电压 Rated Voltage	电压范围 Operation Voltage	电流 Current	转速 Speed	风量 Air Flow	风压 Static Pressure	噪音 Noise Level	重量 Weight
		VDC	VDC	A	RPM	CFM	mmH <sub>2</sub> O	dBA	g
DBH5008S	Hydraulic	5	4.5~5.5	0.25	4500	3.53	9.20	24.5	20
DBM5008S				0.20	3500	2.75	5.57	19.5	
DBH5008S		12	10.8~13.2	0.12	4500	3.53	9.20	24.5	
DBM5008S				0.10	3500	2.75	5.57	19.5	

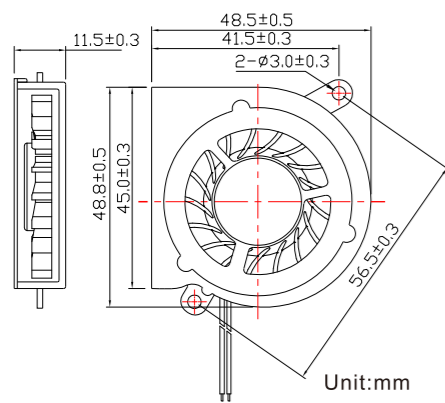
# 5010



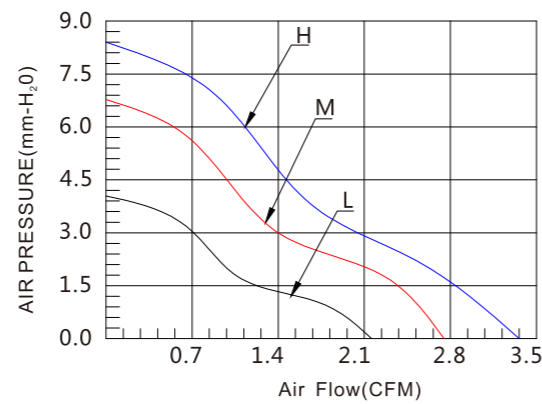
### General Specifications (一般规格)

- ◆Material:  
Frame And Impeller:Thermal Plastic UL 94-0
- ◆Lead Wires:UL Type  
RED Wire Positive(+)  
Black Wire Negative(-)
- ◆Insulation Resistance:10MΩ Or Over With a DC250V Megger
- ◆Dielectric Withstand Voltage:AC500V 1S
- ◆Allowable Ambient Temperature Range:  
-10°C ~ +70°C(Operating)  
-40°C ~ +70°C(Storage)

### Dimensions Drawing(外观图)



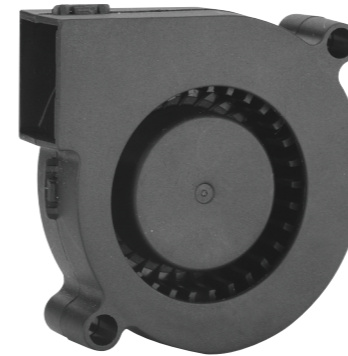
### Characteristic Curves (特性曲线)



### Specifications/规格

型号 Model	轴承类型 Bearing Type	电压 Rated Voltage	电压范围 Operation Voltage	电流 Current	转速 Speed	风量 Air Flow	风压 Static Pressure	噪音 Noise Level	重量 Weight
		VDC	VDC						
DBH5010S	Hydraulic	5	4.5 ~ 5.5	0.28	5500	3.35	8.69	40.2	20
DBM5010S				0.23	4500	2.74	5.82	35.9	
DBL5010S				0.18	3500	2.13	3.52	30.4	

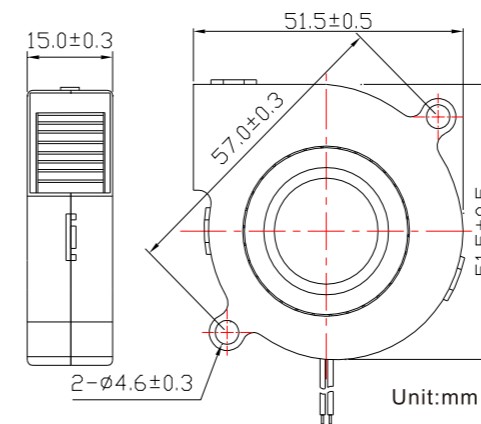
# 5015-A



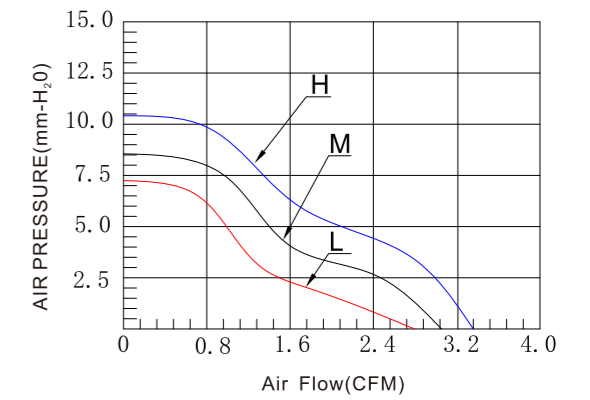
### General Specifications (一般规格)

- ◆Material:  
Frame And Impeller:Thermal Plastic UL 94-0
- ◆Lead Wires:UL Type  
RED Wire Positive(+)  
Black Wire Negative(-)
- ◆Insulation Resistance:10MΩ Or Over With a DC250V Megger
- ◆Dielectric Withstand Voltage:AC500V 1S
- ◆Allowable Ambient Temperature Range:  
-10°C ~ +70°C(Operating)  
-40°C ~ +70°C(Storage)

### Dimensions Drawing(外观图)



### Characteristic Curves (特性曲线)

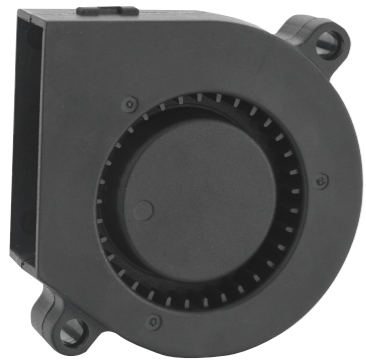


### Specifications/规格

型号 Model	轴承类型 Bearing Type	电压 Rated Voltage	电压范围 Operation Voltage	电流 Current	转速 Speed	风量 Air Flow	风压 Static Pressure	噪音 Noise Level	重量 Weight
		VDC	VDC						
DFH5015S	Sleeve	5	4.5 ~ 5.5	0.30	4200	3.36	10.40	36.3	28
DFM5015S				0.23	3800	3.05	8.51	34.2	
DFL5015S				0.17	3500	2.80	7.21	32.6	
DFH5015B	Ball	5	4.5 ~ 5.5	0.30	4200	3.36	10.40	36.3	
DFM5015B				0.23	3800	3.05	8.51	34.2	
DFL5015B				0.17	3500	2.80	7.21	32.6	
DFH5015S	Sleeve	12	10.8 ~ 13.2	0.16	4200	3.36	10.40	36.3	
DFM5015S				0.12	3800	3.05	8.51	34.2	
DFL5015S				0.08	3500	2.80	7.21	32.6	
DFH5015B	Ball	12	10.8 ~ 13.2	0.16	4200	3.36	10.40	36.3	
DFM5015B				0.12	3800	3.05	8.51	34.2	
DFL5015B				0.08	3500	2.80	7.21	32.6	

Notes:1. The parameters listed above are for reference. 2. Individual specification will be according to approval sheet provided or customers requirement.

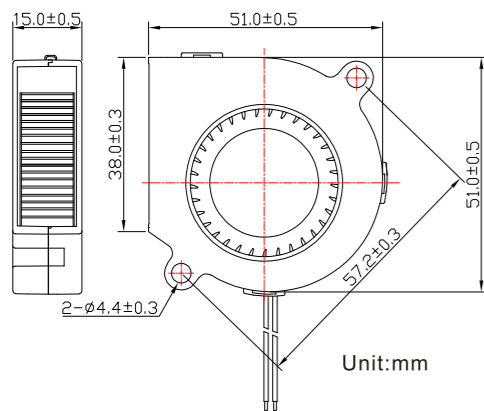
# 5015-B



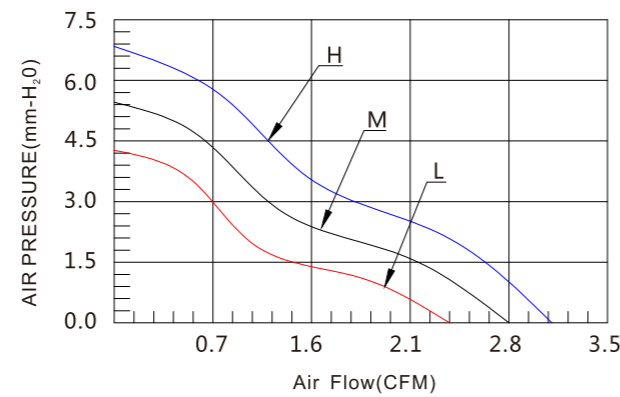
### General Specifications (一般规格)

- ◆Material:  
Frame And Impeller:Thermal Plastic UL 94-0
- ◆Lead Wires:UL Type  
RED Wire Positive(+)  
Black Wire Negative(-)
- ◆Insulation Resistance:10MΩ Or Over With a DC250V Megger
- ◆Dielectric Withstand Voltage:AC500V 1S
- ◆Allowable Ambient Temperature Range:  
-10°C ~ +70°C(Operating)  
-40°C ~ +70°C(Storage)

### Dimensions Drawing(外观图)



### Characteristic Curves (特性曲线)



### Specifications/规格

型号 Model	轴承类型 Bearing Type	电压 Rated Voltage	电压范围 Operation Voltage	电流 Current	转速 Speed	风量 Air Flow	风压 Static Pressure	噪音 Noise Level	重量 Weight
		VDC	VDC	A	RPM	CFM	mmH <sub>2</sub> O	dBA	g
DFH5015S	Sleeve	5	4.5~5.5	0.30	4200	3.10	6.82	38.3	25
DFM5015S				0.23	3800	2.79	5.51	33.5	
DFL5015S				0.17	3500	2.50	4.29	30.9	
DFH5015B	Ball			0.30	4200	3.10	6.82	38.3	
DFM5015B				0.23	3800	2.79	5.51	33.5	
DFL5015B				0.17	3500	2.50	4.29	30.9	
DFH5015S	Sleeve	12	10.8~13.2	0.16	4200	3.10	6.82	38.3	
DFM5015S				0.12	3800	2.79	5.51	33.5	
DFL5015S				0.08	3500	2.50	4.29	30.9	
DFH5015B	Ball			0.16	4200	3.10	6.82	38.3	
DFM5015B				0.12	3800	2.79	5.51	33.5	
DFL5015B				0.08	3500	2.50	4.29	30.9	

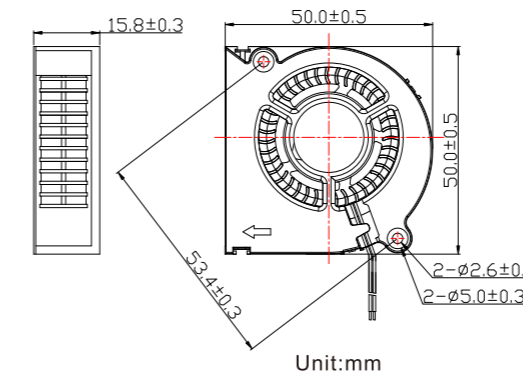
# 5016



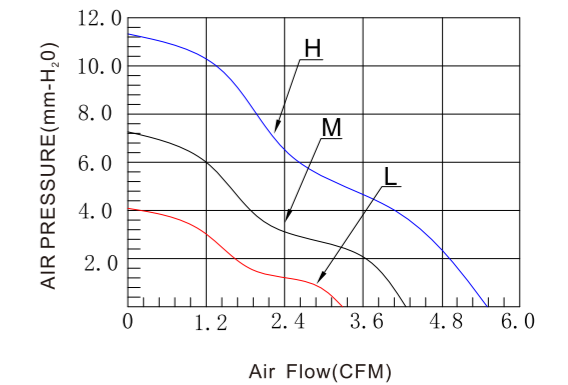
### General Specifications (一般规格)

- ◆Material:  
Frame And Impeller:Thermal Plastic UL 94-0
- ◆Lead Wires:UL Type  
RED Wire Positive(+)  
Black Wire Negative(-)
- ◆Insulation Resistance:10MΩ Or Over With a DC250V Megger
- ◆Dielectric Withstand Voltage:AC500V 1S
- ◆Allowable Ambient Temperature Range:  
-10°C ~ +70°C(Operating)  
-40°C ~ +70°C(Storage)

### Dimensions Drawing(外观图)



### Characteristic Curves (特性曲线)



### Specifications/规格

型号 Model	轴承类型 Bearing Type	电压 Rated Voltage	电压范围 Operation Voltage	电流 Current	转速 Speed	风量 Air Flow	风压 Static Pressure	噪音 Noise Level	重量 Weight
		VDC	VDC	A	RPM	CFM	mmH <sub>2</sub> O	dBA	g
DFH5016S	Hydraulic	5	4.5~5.5	0.50	5000	5.35	11.34	31.9	24
DFM5016S				0.40	4000	4.28	7.26	27.0	
DFL5016S				0.30	3000	3.21	4.08	20.8	
DFH5016B	Ball			0.50	5000	5.35	11.34	31.9	
DFM5016B				0.40	4000	4.28	7.26	27.0	
DFL5016B				0.30	3000	3.21	4.08	20.8	
DFH5016S	Hydraulic	12	10.8~13.2	0.35	5000	5.35	11.34	31.9	
DFM5016S				0.25	4000	4.28	7.26	27.0	
DFL5016S				0.15	3000	3.21	4.08	20.8	
DFH5016B	Ball			0.35	5000	5.35	11.34	31.9	
DFM5016B				0.25	4000	4.28	7.26	27.0	
DFL5016B				0.15	3000	3.21	4.08	20.8	

Notes:1. The parameters listed above are for reference. 2. Individual specification will be according to approval sheet provided or customers requirement.

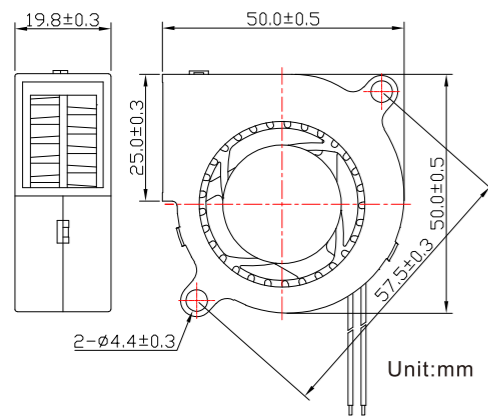
# 5020-A



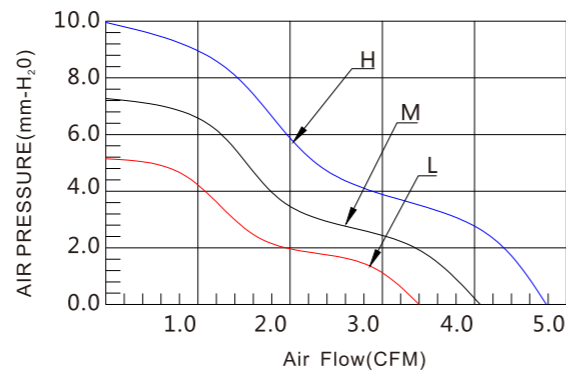
### General Specifications (一般规格)

- ◆Material:  
Frame And Impeller:Thermal Plastic UL 94-0
- ◆Lead Wires:UL Type  
RED Wire Positive(+)  
Black Wire Negative(-)
- ◆Insulation Resistance:10MΩ Or Over With a DC250V Megger
- ◆Dielectric Withstand Voltage:AC500V 1S
- ◆Allowable Ambient Temperature Range:  
-10°C ~ +70°C(Operating)  
-40°C ~ +70°C(Storage)

### Dimensions Drawing(外观图)



### Characteristic Curves (特性曲线)



### Specifications/规格

型号 Model	轴承类型 Bearing Type	电压 Rated Voltage	电压范围 Operation Voltage	电流 Current	转速 Speed	风量 Air Flow	风压 Static Pressure	噪音 Noise Level	重量 Weight
		VDC	VDC	A	RPM	CFM	mmH <sub>2</sub> O	dBA	g
DFH5020S	Sleeve	5	4.5~5.5	0.30	5000	4.72	9.98	37.4	33
DFM5020S				0.25	4300	4.06	7.38	32.1	
DFL5020S				0.20	3600	3.40	5.18	26.9	
DFH5020B	Ball			0.30	5000	4.72	9.98	37.4	
DFM5020B				0.25	4300	4.06	7.38	32.1	
DFL5020B				0.20	3600	3.40	5.18	26.9	
DFH5020S	Sleeve	12	10.8~13.2	0.20	5000	4.72	9.98	37.4	
DFM5020S				0.15	4300	4.06	7.38	32.1	
DFL5020S				0.10	3600	3.40	5.18	26.9	
DFH5020B	Ball			0.20	5000	4.72	9.98	37.4	
DFM5020B				0.15	4300	4.06	7.38	32.1	
DFL5020B				0.10	3600	3.40	5.18	26.9	

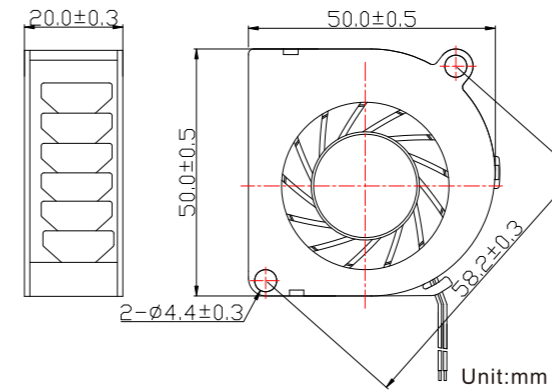
# 5020-B



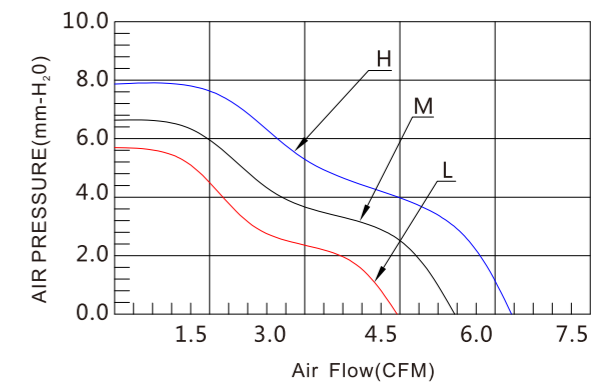
### General Specifications (一般规格)

- ◆Material:  
Frame And Impeller:Thermal Plastic UL 94-0
- ◆Lead Wires:UL Type  
RED Wire Positive(+)  
Black Wire Negative(-)
- ◆Insulation Resistance:10MΩ Or Over With a DC250V Megger
- ◆Dielectric Withstand Voltage:AC500V 1S
- ◆Allowable Ambient Temperature Range:  
-10°C ~ +70°C(Operating)  
-40°C ~ +70°C(Storage)

### Dimensions Drawing(外观图)



### Characteristic Curves (特性曲线)

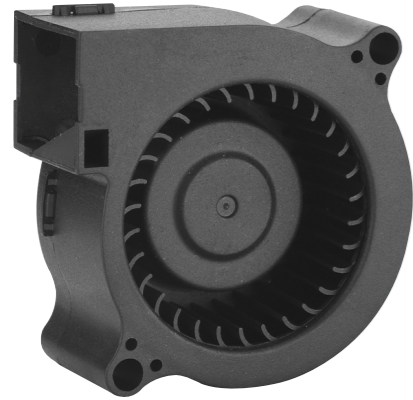


### Specifications/规格

型号 Model	轴承类型 Bearing Type	电压 Rated Voltage	电压范围 Operation Voltage	电流 Current	转速 Speed	风量 Air Flow	风压 Static Pressure	噪音 Noise Level	重量 Weight
		VDC	VDC	A	RPM	CFM	mmH <sub>2</sub> O	dBA	g
DFH5020S	Sleeve	5	4.5~5.5	0.30	5000	4.54	7.64	36.1	28
DFM5020S				0.25	4300	3.90	5.65	31.4	
DFL5020S				0.20	3600	3.27	3.96	28.3	
DFH5020B	Ball			0.30	5000	4.54	7.64	36.1	
DFM5020B				0.25	4300	3.90	5.65	31.4	
DFL5020B				0.20	3600	3.27	3.96	28.3	
DFH5020S	Sleeve	12	10.8~13.2	0.20	5000	4.54	7.64	36.1	
DFM5020S				0.15	4300	3.90	5.65	31.4	
DFL5020S				0.10	3600	3.27	3.96	28.3	
DFH5020B	Ball			0.20	5000	4.54	7.64	36.1	
DFM5020B				0.15	4300	3.90	5.65	31.4	
DFL5020B				0.10	3600	3.27	3.96	28.3	

Notes:1. The parameters listed above are for reference. 2. Individual specification will be according to approval sheet provided or customers requirement.

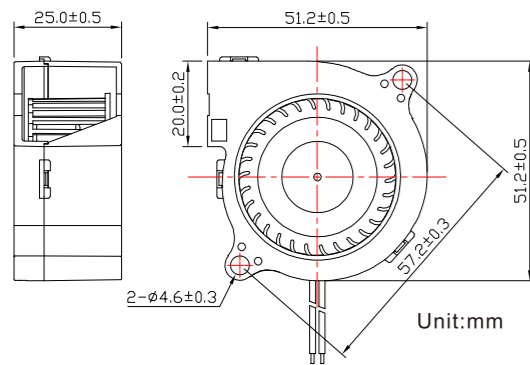
# 5025-A



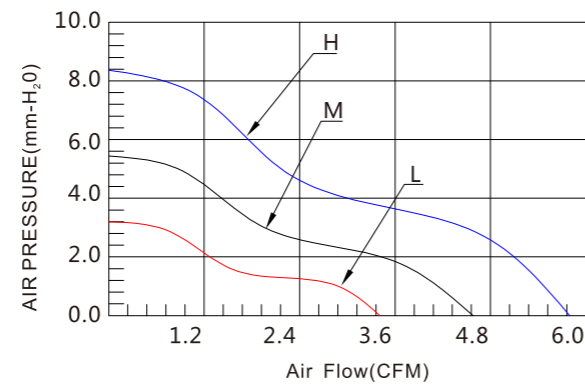
### General Specifications (一般规格)

- ◆Material:  
Frame And Impeller:Thermal Plastic UL 94-0
- ◆Lead Wires:UL Type  
RED Wire Positive(+)  
Black Wire Negative(-)
- ◆Insulation Resistance:10MΩ Or Over With a DC250V Megger
- ◆Dielectric Withstand Voltage:AC500V 1S
- ◆Allowable Ambient Temperature Range:  
-10°C ~ +70°C(Operating)  
-40°C ~ +70°C(Storage)

### Dimensions Drawing(外观图)



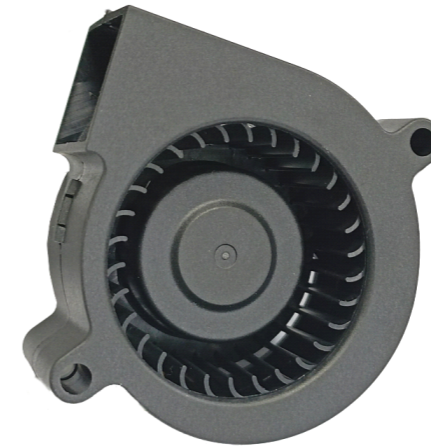
### Characteristic Curves (特性曲线)



### Specifications/规格

型号 Model	轴承类型 Bearing Type	电压 Rated Voltage	电压范围 Operation Voltage	电流 Current	转速 Speed	风量 Air Flow	风压 Static Pressure	噪音 Noise Level	重量 Weight
		VDC	VDC						
DFH5025S	Hydraulic	5	4.5~5.5	0.28	5000	5.79	8.36	41.6	33
DFM5025S				0.23	4000	4.63	5.35	36.7	
DFL5025S				0.18	3000	3.47	3.01	30.5	
DFH5025B	Ball			0.28	5000	5.79	8.36	41.6	
DFM5025B				0.23	4000	4.63	5.35	36.7	
DFL5025B				0.18	3000	3.47	3.01	30.5	
DFH5025S	Hydraulic	12	10.8~13.2	0.15	5000	5.79	8.36	41.6	
DFM5025S				0.10	4000	4.63	5.35	36.7	
DFL5025S				0.07	3000	3.47	3.01	30.5	
DFH5025B	Ball			0.15	5000	5.79	8.36	41.6	
DFM5025B				0.10	4000	4.63	5.35	36.7	
DFL5025B				0.07	3000	3.47	3.01	30.5	

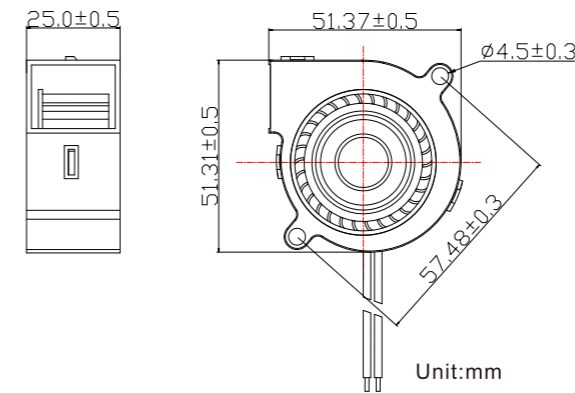
# 5025-B



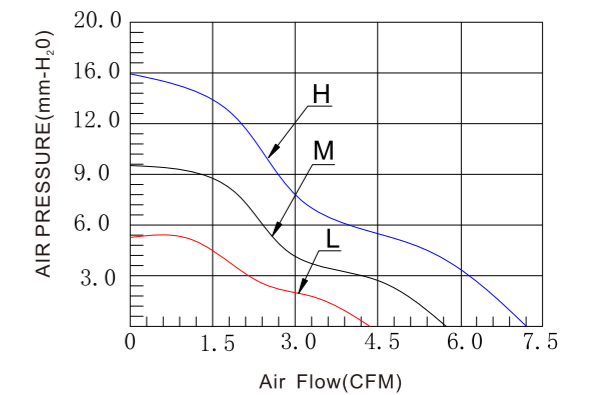
### General Specifications (一般规格)

- ◆Material:  
Frame And Impeller:Thermal Plastic UL 94-0
- ◆Lead Wires:UL Type  
RED Wire Positive(+)  
Black Wire Negative(-)
- ◆Insulation Resistance:10MΩ Or Over With a DC250V Megger
- ◆Dielectric Withstand Voltage:AC500V 1S
- ◆Allowable Ambient Temperature Range:  
-10°C ~ +70°C(Operating)  
-40°C ~ +70°C(Storage)

### Dimensions Drawing(外观图)



### Characteristic Curves (特性曲线)



### Specifications/规格

型号 Model	轴承类型 Bearing Type	电压 Rated Voltage	电压范围 Operation Voltage	电流 Current	转速 Speed	风量 Air Flow	风压 Static Pressure	噪音 Noise Level	重量 Weight
		VDC	VDC						
DFH5025S	Sleeve	5	4.5~5.5	0.28	5000	7.88	34.78	43.6	33
DFM5025S				0.23	4000	6.31	22.26	38.8	
DFL5025S				0.18	3000	4.73	12.52	32.6	
DFH5025B	Ball			0.28	5000	7.88	34.78	43.6	
DFM5025B				0.23	4000	6.31	22.26	38.8	
DFL5025B				0.18	3000	4.73	12.52	32.6	
DFH5025S	Sleeve	12	10.8~13.2	0.15	5000	7.88	34.78	43.6	
DFM5025S				0.10	4000	6.31	22.26	38.8	
DFL5025S				0.07	3000	4.73	12.52	32.6	
DFH5025B	Ball			0.15	5000	7.88	34.78	43.6	
DFM5025B				0.10	4000	6.31	22.26	38.8	
DFL5025B				0.30	3000	4.73	12.52	32.6	

Notes: 1. The parameters listed above are for reference. 2. Individual specification will be according to approval sheet provided or customers requirement.

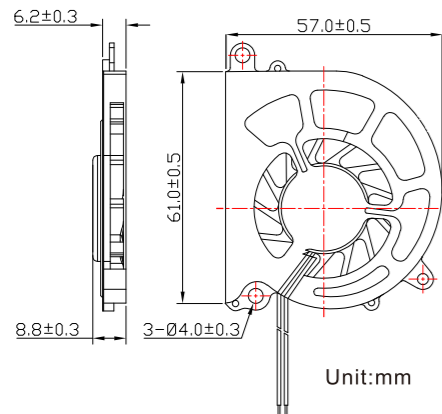
# 6006



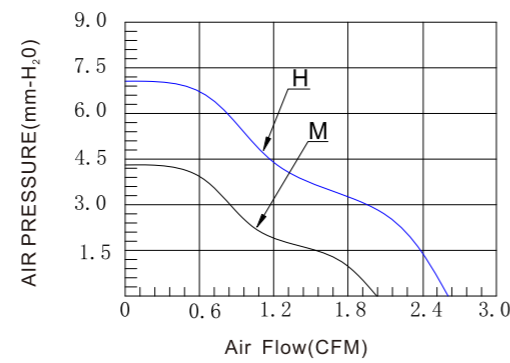
### General Specifications (一般规格)

- ◆Material:  
Frame And Impeller:Thermal Plastic UL 94-0
- ◆Lead Wires:UL Type  
RED Wire Positive(+)  
Black Wire Negative(-)
- ◆Insulation Resistance:10MΩ Or Over With a DC250V Megger
- ◆Dielectric Withstand Voltage:AC500V 1S
- ◆Allowable Ambient Temperature Range:  
-10°C ~ +70°C(Operating)  
-40°C ~ +70°C(Storage)

### Dimensions Drawing(外观图)



### Characteristic Curves (特性曲线)



### Specifications/规格

型号 Model	轴承类型 Bearing Type	电压 Rated Voltage	电压范围 Operation Voltage	电流 Current	转速 Speed	风量 Air Flow	风压 Static Pressure	噪音 Noise Level	重量 Weight
		VDC	VDC						
DBH6006S	Hydraulic	5	4.5 ~ 5.5	0.25	4500	2.61	7.10	31.0	20
DBM6006S				0.18	3500	2.03	4.29	25.6	
DBH6006S		12	10.8 ~ 13.2	0.12	4500	2.61	7.10	31.0	
DBM6006S				0.08	3500	2.03	4.29	25.6	

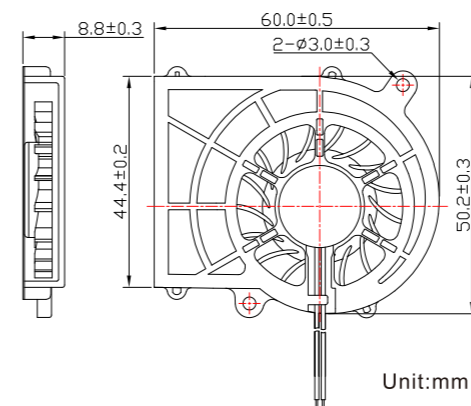
# 6008



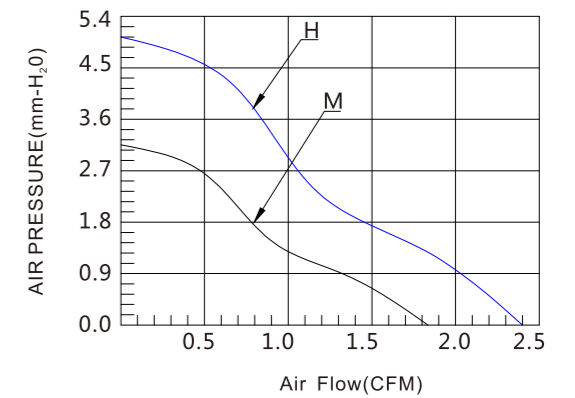
### General Specifications (一般规格)

- ◆Material:  
Frame And Impeller:Thermal Plastic UL 94-0
- ◆Lead Wires:UL Type  
RED Wire Positive(+)  
Black Wire Negative(-)
- ◆Insulation Resistance:10MΩ Or Over With a DC250V Megger
- ◆Dielectric Withstand Voltage:AC500V 1S
- ◆Allowable Ambient Temperature Range:  
-10°C ~ +70°C(Operating)  
-40°C ~ +70°C(Storage)

### Dimensions Drawing(外观图)



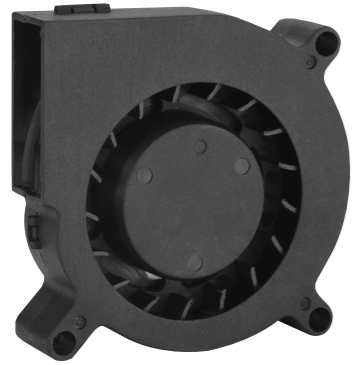
### Characteristic Curves (特性曲线)



### Specifications/规格

型号 Model	轴承类型 Bearing Type	电压 Rated Voltage	电压范围 Operation Voltage	电流 Current	转速 Speed	风量 Air Flow	风压 Static Pressure	噪音 Noise Level	重量 Weight
		VDC	VDC						
DBH6008S	Hydraulic	5	4.5 ~ 5.5	0.25	4500	2.41	4.87	30.0	20
DBM6008S				0.18	3500	1.82	2.77	24.5	
DBH6008B	Ball	5	4.5 ~ 5.5	0.25	4500	2.41	4.87	30.0	
DBM6008B				0.18	3500	1.82	2.77	24.5	
DBH6008S	Hydraulic	12	10.8 ~ 13.2	0.12	4500	2.41	4.87	30.0	
DBM6008S				0.08	3500	1.82	2.77	24.5	
DBH6008B	Ball	12	10.8 ~ 13.2	0.12	4500	2.41	4.87	30.0	
DBM6008B				0.08	3500	1.82	2.77	24.5	

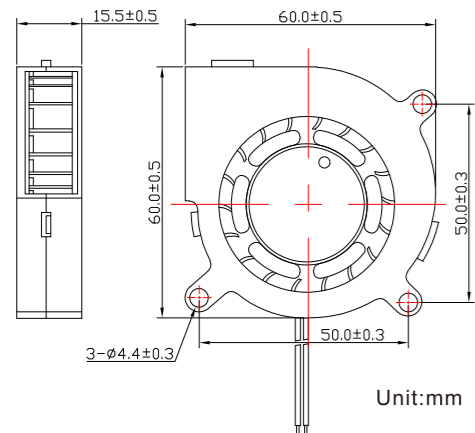
# 6015-A



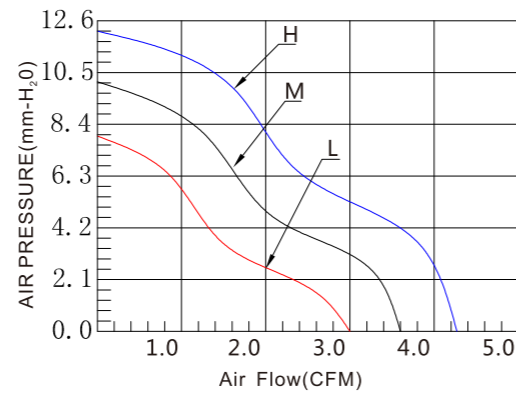
### General Specifications (一般规格)

- ◆Material:  
Frame And Impeller:Thermal Plastic UL 94-0
- ◆Lead Wires:UL Type  
RED Wire Positive(+)  
Black Wire Negative(-)
- ◆Insulation Resistance:10MΩ Or Over With a DC250V Megger
- ◆Dielectric Withstand Voltage:AC500V 1S
- ◆Allowable Ambient Temperature Range:  
-10°C ~ +70°C(Operating)  
-40°C ~ +70°C(Storage)

### Dimensions Drawing(外观图)



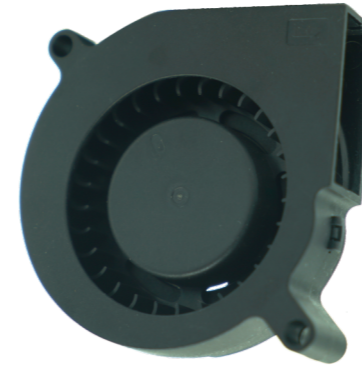
### Characteristic Curves (特性曲线)



### Specifications/规格

型号 Model	轴承类型 Bearing Type	电压 Rated Voltage	电压范围 Operation Voltage	电流 Current	转速 Speed	风量 Air Flow	风压 Static Pressure	噪音 Noise Level	重量 Weight
		VDC	VDC	A	RPM	CFM	mmH <sub>2</sub> O	dBA	g
DFM6015S	Sleeve	5	4.5~5.5	0.35	3500	3.60	10.02	33.50	35
DFL6015S				0.25	2800	3.00	7.92	28.20	
DFH6015S		12	10.8~13.2	0.24	4200	4.32	12.02	40.20	
DFM6015S				0.20	3500	3.60	10.02	33.50	
DFL6015S				0.16	2800	3.00	7.92	28.20	

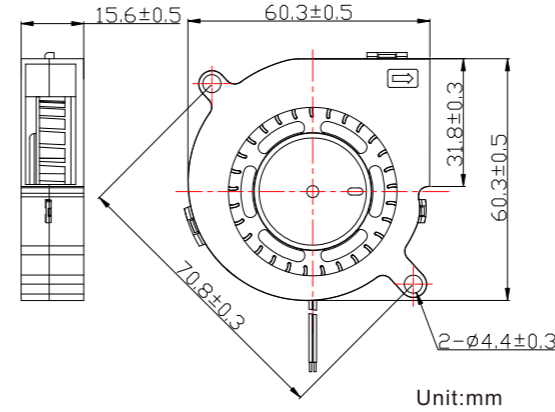
# 6015-B (反转)



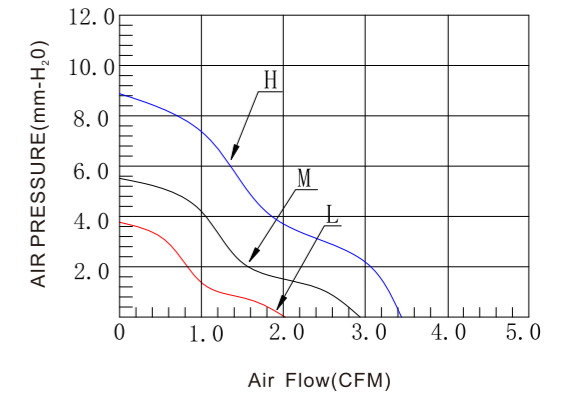
### General Specifications (一般规格)

- ◆Material:  
Frame And Impeller:Thermal Plastic UL 94-0
- ◆Lead Wires:UL Type  
RED Wire Positive(+)  
Black Wire Negative(-)
- ◆Insulation Resistance:10MΩ Or Over With a DC250V Megger
- ◆Dielectric Withstand Voltage:AC500V 1S
- ◆Allowable Ambient Temperature Range:  
-10°C ~ +70°C(Operating)  
-40°C ~ +70°C(Storage)

### Dimensions Drawing(外观图)



### Characteristic Curves (特性曲线)



### Specifications/规格

型号 Model	轴承类型 Bearing Type	电压 Rated Voltage	电压范围 Operation Voltage	电流 Current	转速 Speed	风量 Air Flow	风压 Static Pressure	噪音 Noise Level	重量 Weight
		VDC	VDC	A	RPM	CFM	mmH <sub>2</sub> O	dBA	g
DFH6015S	Sleeve	5	4.5~5.5	0.35	3500	3.65	8.87	35.1	35
DFM6015S				0.25	2800	2.92	5.55	30.3	
DFL6015S		12	10.8~13.2	0.20	2300	2.40	3.74	26.0	
DFH6015S				0.20	3500	3.65	8.87	35.1	
DFM6015S				0.16	2800	2.92	5.55	30.3	
DFL6015S				0.12	2300	2.40	3.74	26.0	

Notes:1. The parameters listed above are for reference. 2. Individual specification will be according to approval sheet provided or customers requirement.

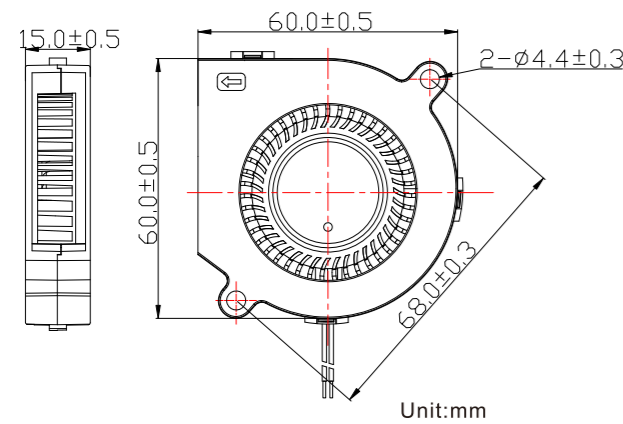
# 6015



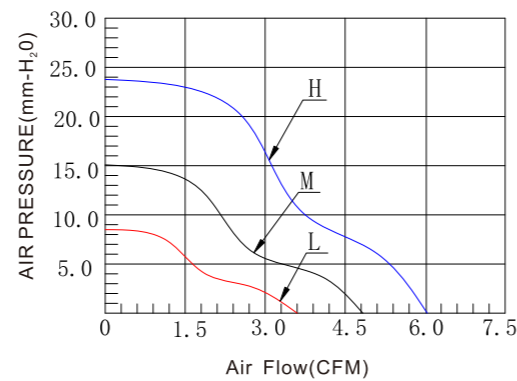
### General Specifications (一般规格)

- ◆ Material:  
Frame And Impeller: Thermal Plastic UL 94-0
- ◆ Lead Wires: UL Type  
RED Wire Positive(+)  
Black Wire Negative(-)
- ◆ Insulation Resistance: 10MΩ Or Over With a DC250V Megger
- ◆ Dielectric Withstand Voltage: AC500V 1S
- ◆ Allowable Ambient Temperature Range:  
-10°C ~ +70°C (Operating)  
-40°C ~ +70°C (Storage)

### Dimensions Drawing (外观图)



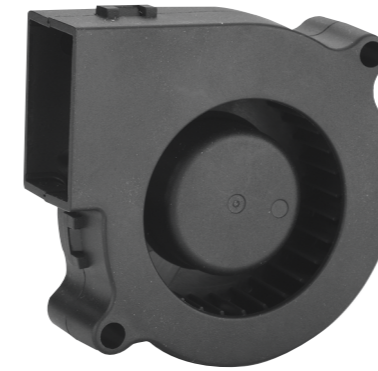
### Characteristic Curves (特性曲线)



### Specifications/规格

型号 Model	轴承类型 Bearing Type	电压 Rated Voltage	电压范围 Operation Voltage	电流 Current	转速 Speed	风量 Air Flow	风压 Static Pressure	噪音 Noise Level	重量 Weight
		VDC	VDC						
DFH6015S	Sleeve	5	4.5~5.5	0.50	5000	6.01	23.47	39.6	35
DFM6015S				0.35	4000	4.81	15.02	35.3	
DFL6015S				0.20	3000	3.60	8.45	29.6	
DFH6015B	Ball			0.50	5000	6.01	23.47	39.6	
DFM6015B				0.35	4000	4.81	15.02	35.3	
DFL6015B				0.20	3000	3.60	8.45	29.6	
DFH6015S	Sleeve	12	10.8~13.2	0.35	5000	6.01	23.47	39.6	
DFM6015S				0.20	4000	4.81	15.02	35.3	
DFL6015S				0.15	3000	3.60	8.45	29.6	
DFH6015B	Ball			0.35	5000	6.01	23.47	39.6	
DFM6015B				0.20	4000	4.81	15.02	35.3	
DFL6015B				0.15	3000	3.60	8.45	29.6	

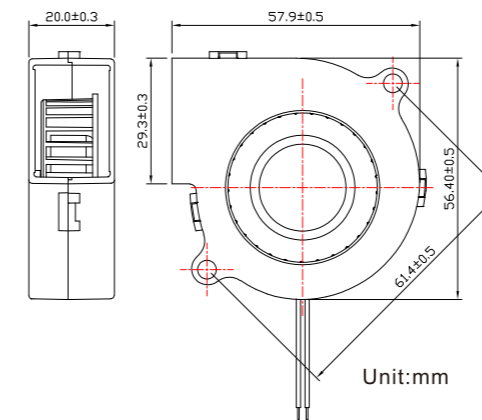
# 6020



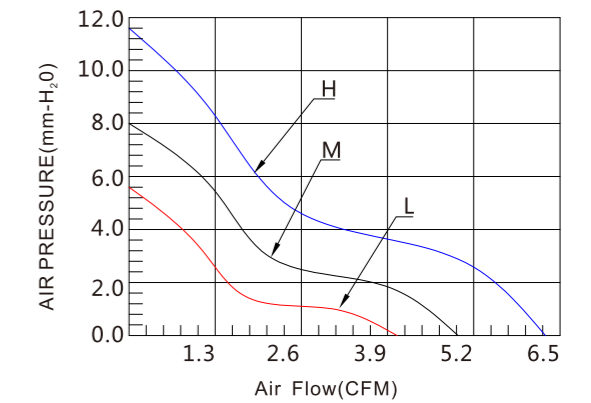
### General Specifications (一般规格)

- ◆ Material:  
Frame And Impeller: Thermal Plastic UL 94-0
- ◆ Lead Wires: UL Type  
RED Wire Positive(+)  
Black Wire Negative(-)
- ◆ Insulation Resistance: 10MΩ Or Over With a DC250V Megger
- ◆ Dielectric Withstand Voltage: AC500V 1S
- ◆ Allowable Ambient Temperature Range:  
-10°C ~ +70°C (Operating)  
-40°C ~ +70°C (Storage)

### Dimensions Drawing (外观图)



### Characteristic Curves (特性曲线)



### Specifications/规格

型号 Model	轴承类型 Bearing Type	电压 Rated Voltage	电压范围 Operation Voltage	电流 Current	转速 Speed	风量 Air Flow	风压 Static Pressure	噪音 Noise Level	重量 Weight
		VDC	VDC						
DFH6020S	Sleeve	12	10.8~13.2	0.25	5500	6.22	11.9	44.2	35
DFM6020S				0.20	4500	5.09	7.97	39.9	
DFL6020S				0.15	3500	3.95	4.82	34.4	
DFH6020B	Ball			0.25	5500	6.22	11.9	44.2	
DFM6020B				0.20	4500	5.09	7.97	39.9	
DFL6020B				0.15	3500	3.95	4.82	34.4	
DFH6020S	Sleeve	24	21.6~26.4	0.20	5500	6.22	11.9	44.2	
DFM6020S				0.15	4500	5.09	7.97	39.9	
DFL6020S				0.10	3500	3.95	4.82	34.4	
DFH6020B	Ball			0.20	5500	6.22	11.9	44.2	
DFM6020B				0.15	4500	5.09	7.97	39.9	
DFL6020B				0.10	3500	3.95	4.82	34.4	

Notes: 1. The parameters listed above are for reference. 2. Individual specification will be according to approval sheet provided or customers requirement.

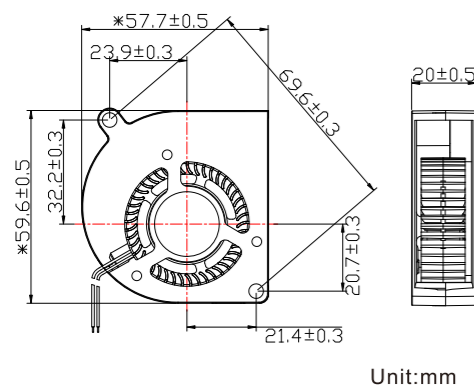
# 6020



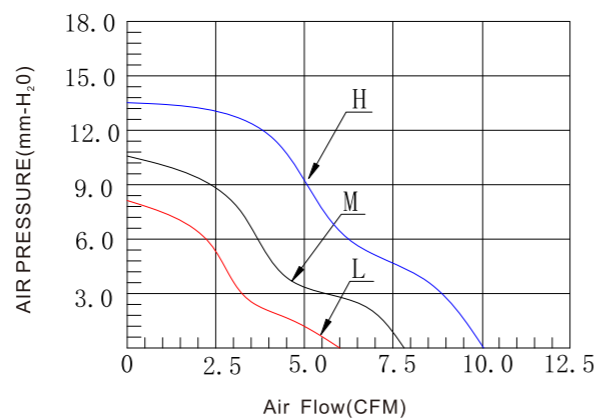
### General Specifications (一般规格)

- ◆Material:  
Frame And Impeller:Thermal Plastic UL 94-0
- ◆Lead Wires:UL Type  
RED Wire Positive(+)  
Black Wire Negative(-)
- ◆Insulation Resistance:10MΩ Or Over With a DC250V Megger
- ◆Dielectric Withstand Voltage:AC500V 1S
- ◆Allowable Ambient Temperature Range:  
-10°C ~ +70°C(Operating)  
-40°C ~ +70°C(Storage)

### Dimensions Drawing(外观图)



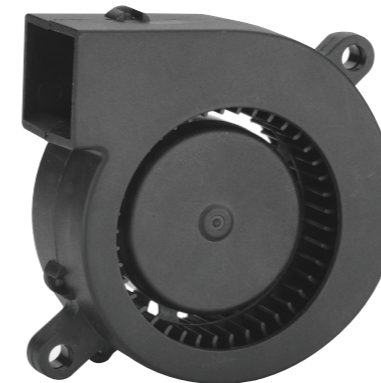
### Characteristic Curves (特性曲线)



### Specifications/规格

型号 Model	轴承类型 Bearing Type	电压 Rated Voltage	电压范围 Operation Voltage	电流 Current	转速 Speed	风量 Air Flow	风压 Static Pressure	噪音 Noise Level	重量 Weight
		VDC	VDC						
DFH6020S	Hydraulic	12	10.8~13.2	0.30	4500	10.07	13.51	28.6	38
DFM6020S				0.25	4000	8.96	10.68	26.4	
DFL6020S				0.22	3500	7.83	8.18	23.8	
DFH6020B	Ball			0.30	4500	10.07	13.51	28.6	
DFM6020B				0.25	4000	8.96	10.68	26.4	
DFL6020B				0.22	3500	7.83	8.18	23.8	
DFH6020S	Hydraulic	24	21.6~26.4	0.20	4500	10.07	13.51	28.6	
DFM6020S				0.15	4000	8.96	10.68	26.4	
DFL6020S				0.12	3500	7.83	8.18	23.8	
DFH6020B	Ball			0.20	4500	10.07	13.51	28.6	
DFM6020B				0.15	4000	8.96	10.68	26.4	
DFL6020B				0.12	3500	7.83	8.18	23.8	

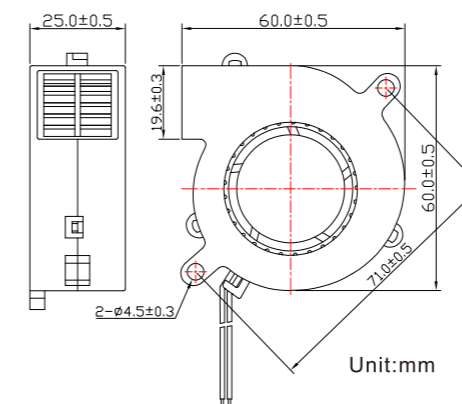
# 6025



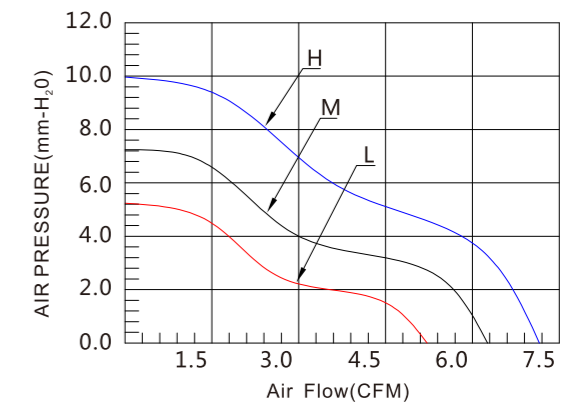
### General Specifications (一般规格)

- ◆Material:  
Frame And Impeller:Thermal Plastic UL 94-0
- ◆Lead Wires:UL Type  
RED Wire Positive(+)  
Black Wire Negative(-)
- ◆Insulation Resistance:10MΩ Or Over With a DC250V Megger
- ◆Dielectric Withstand Voltage:AC500V 1S
- ◆Allowable Ambient Temperature Range:  
-10°C ~ +70°C(Operating)  
-40°C ~ +70°C(Storage)

### Dimensions Drawing(外观图)



### Characteristic Curves (特性曲线)



### Specifications/规格

型号 Model	轴承类型 Bearing Type	电压 Rated Voltage	电压范围 Operation Voltage	电流 Current	转速 Speed	风量 Air Flow	风压 Static Pressure	噪音 Noise Level	重量 Weight
		VDC	VDC						
DFH6025S	Sleeve	12	10.8 ~ 13.2	0.25	3500	7.33	9.97	37.0	45
DFM6025S				0.20	3000	6.28	7.32	33.7	
DFL6025S				0.15	2500	5.24	5.09	29.7	
DFH6025B	Ball			0.25	3500	7.33	9.97	37.0	
DFM6025B				0.20	3000	6.28	7.32	33.7	
DFL6025B				0.15	2500	5.24	5.09	29.7	
DFH6025S	Sleeve	24	21.6 ~ 26.4	0.20	3500	7.33	9.97	37.0	
DFM6025S				0.16	3000	6.28	7.32	33.7	
DFL6025S				0.10	2500	5.24	5.09	29.7	
DFH6025B	Ball			0.20	3500	7.33	9.97	37.0	
DFM6025B				0.16	3000	6.28	7.32	33.7	
DFL6025B				0.10	2500	5.24	5.09	29.7	

Notes:1. The parameters listed above are for reference. 2. Individual specification will be according to approval sheet provided or customers requirement.

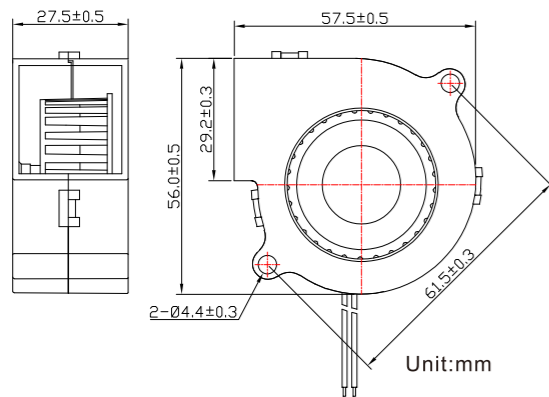
# 6028-A



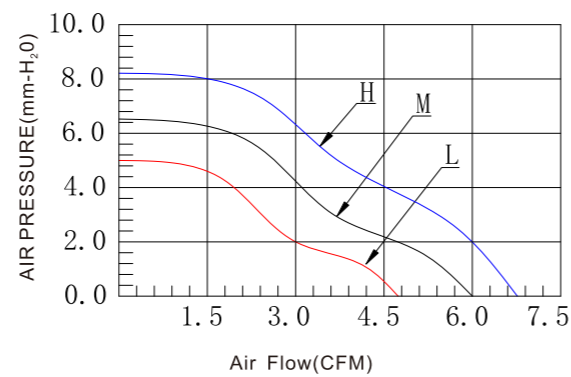
### General Specifications (一般规格)

- ◆Material:  
Frame And Impeller:Thermal Plastic UL 94-0
- ◆Lead Wires:UL Type  
RED Wire Positive(+)  
Black Wire Negative(-)
- ◆Insulation Resistance:10MΩ Or Over With a DC250V Megger
- ◆Dielectric Withstand Voltage:AC500V 1S
- ◆Allowable Ambient Temperature Range:  
-10°C ~ +70°C(Operating)  
-40°C ~ +70°C(Storage)

### Dimensions Drawing(外观图)



### Characteristic Curves (特性曲线)



### Specifications/规格

型号 Model	轴承类型 Bearing Type	电压 Rated Voltage	电压范围 Operation Voltage	电流 Current	转速 Speed	风量 Air Flow	风压 Static Pressure	噪音 Noise Level	重量 Weight
		VDC	VDC	A	RPM	CFM	mmH <sub>2</sub> O	dBA	g
DFH6028S	Sleeve	12	10.8~13.2	0.25	4500	6.75	8.26	43.7	50
DFM6028S				0.18	4000	6.00	6.52	41.1	
DFL6028S				0.10	3500	5.25	5.00	38.2	
DFH6028B	Ball			0.25	4500	6.75	8.26	43.7	
DFM6028B				0.18	4000	6.00	6.52	41.1	
DFL6028B				0.10	3500	5.25	5.00	38.2	
DFH6028S	Sleeve	24	21.6~26.4	0.20	4500	6.75	8.26	43.7	
DFM6028S				0.15	4000	6.00	6.52	41.1	
DFL6028S				0.08	3500	5.25	5.00	38.2	
DFH6028B	Ball			0.20	4500	6.75	8.26	43.7	
DFM6028B				0.15	4000	6.00	6.52	41.1	
DFL6028B				0.08	3500	5.25	5.00	38.2	

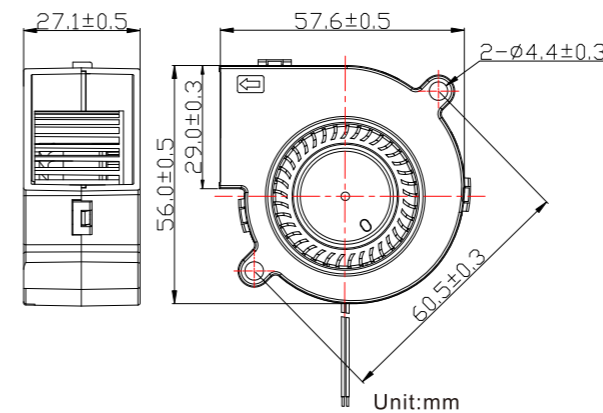
# 6028-B



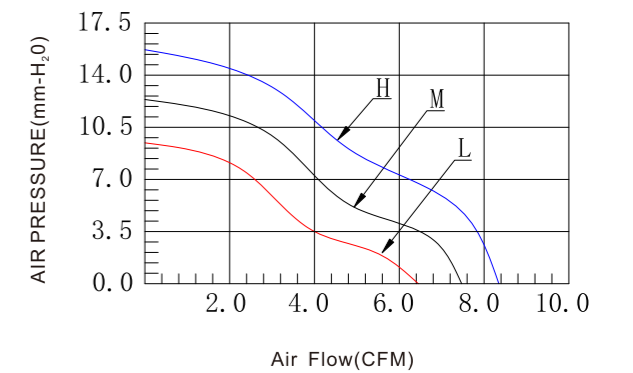
### General Specifications (一般规格)

- ◆Material:  
Frame And Impeller:Thermal Plastic UL 94-0
- ◆Lead Wires:UL Type  
RED Wire Positive(+)  
Black Wire Negative(-)
- ◆Insulation Resistance:10MΩ Or Over With a DC250V Megger
- ◆Dielectric Withstand Voltage:AC500V 1S
- ◆Allowable Ambient Temperature Range:  
-10°C ~ +70°C(Operating)  
-40°C ~ +70°C(Storage)

### Dimensions Drawing(外观图)



### Characteristic Curves (特性曲线)



### Specifications/规格

型号 Model	轴承类型 Bearing Type	电压 Rated Voltage	电压范围 Operation Voltage	电流 Current	转速 Speed	风量 Air Flow	风压 Static Pressure	噪音 Noise Level	重量 Weight
		VDC	VDC	A	RPM	CFM	mmH <sub>2</sub> O	dBA	g
DFH6028S	Sleeve	12	10.8~13.2	0.25	4500	8.32	15.71	42.4	39.5
DFM6028S				0.18	4000	7.39	12.41	39.8	
DFL6028S				0.10	3500	6.50	9.50	36.9	
DFH6028B	Ball			0.25	4500	8.32	15.71	42.4	
DFM6028B				0.18	4000	7.39	12.41	39.8	
DFL6028B				0.10	3500	6.50	9.50	36.9	
DFH6028S	Sleeve	24	21.6~26.4	0.20	4500	8.32	15.71	42.4	
DFM6028S				0.15	4000	7.39	12.41	39.8	
DFL6028S				0.08	3500	6.50	9.50	36.9	
DFH6028B	Ball			0.20	4500	8.32	15.71	42.4	
DFM6028B				0.15	4000	7.39	12.41	39.8	
DFL6028B				0.08	3500	6.50	9.50	36.9	

Notes:1. The parameters listed above are for reference. 2. Individual specification will be according to approval sheet provided or customers requirement.

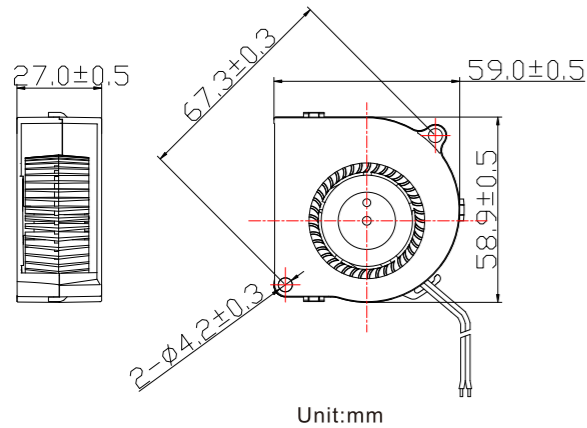
# 6028



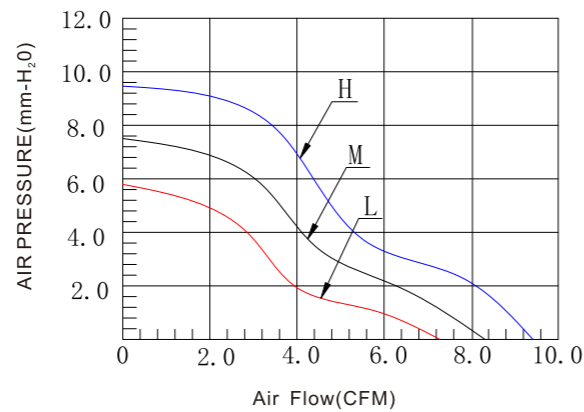
### General Specifications (一般规格)

- ◆Material:  
Frame And Impeller:Thermal Plastic UL 94-0
- ◆Lead Wires:UL Type  
RED Wire Positive(+)  
Black Wire Negative(-)
- ◆Insulation Resistance:10MΩ Or Over With a DC250V Megger
- ◆Dielectric Withstand Voltage:AC500V 1S
- ◆Allowable Ambient Temperature Range:  
-10°C ~ +70°C(Operating)  
-40°C ~ +70°C(Storage)

### Dimensions Drawing(外观图)



### Characteristic Curves (特性曲线)



### Specifications/规格

型号 Model	轴承类型 Bearing Type	电压 Rated Voltage	电压范围 Operation Voltage	电流 Current	转速 Speed	风量 Air Flow	风压 Static Pressure	噪音 Noise Level	重量 Weight
		VDC	VDC						
DFH6028S	Hydraulic	12	10.8~13.2	0.25	4500	9.37	9.53	32.4	50
DFM6028S				0.18	4000	8.34	7.53	30.2	
DFL6028S				0.10	3500	7.29	5.77	27.5	
DFH6028B	Ball			0.25	4500	9.37	9.53	32.4	
DFM6028B				0.18	4000	8.34	7.53	30.2	
DFL6028B				0.10	3500	7.29	5.77	27.5	
DFH6028S	Hydraulic	24	21.6~26.4	0.20	4500	9.37	9.53	32.4	
DFM6028S				0.15	4000	8.34	7.53	30.2	
DFL6028S				0.08	3500	7.29	5.77	27.5	
DFH6028B	Ball			0.20	4500	9.37	9.53	32.4	
DFM6028B				0.15	4000	8.34	7.53	30.2	
DFL6028B				0.08	3500	7.29	5.77	27.5	

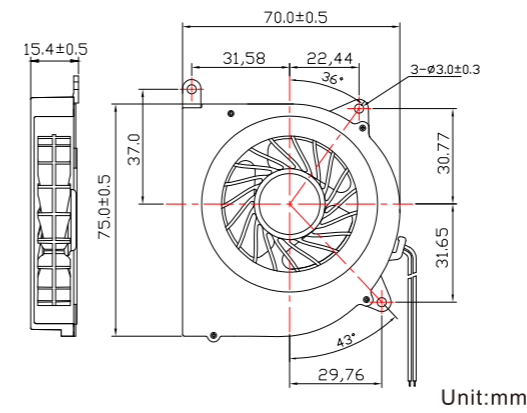
# 7515



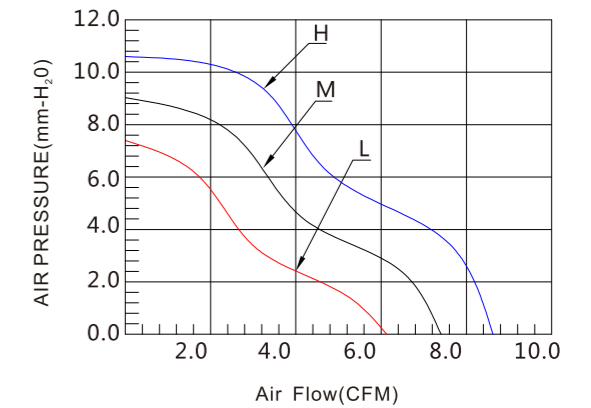
### General Specifications (一般规格)

- ◆Material:  
Frame And Impeller:Thermal Plastic UL 94-0
- ◆Lead Wires:UL Type  
RED Wire Positive(+)  
Black Wire Negative(-)
- ◆Insulation Resistance:10MΩ Or Over With a DC250V Megger
- ◆Dielectric Withstand Voltage:AC500V 1S
- ◆Allowable Ambient Temperature Range:  
-10°C ~ +70°C(Operating)  
-40°C ~ +70°C(Storage)

### Dimensions Drawing(外观图)



### Characteristic Curves (特性曲线)



### Specifications/规格

型号 Model	轴承类型 Bearing Type	电压 Rated Voltage	电压范围 Operation Voltage	电流 Current	转速 Speed	风量 Air Flow	风压 Static Pressure	噪音 Noise Level	重量 Weight
		VDC	VDC						
DFH7515S	Sleeve	5	4.5~5.5	0.35	3500	8.68	10.56	32.6	46
DFM7515S				0.27	3000	7.44	9.05	27.9	
DFL7515S				0.18	2500	6.20	7.54	23.3	
DFH7515B	Ball			0.35	3500	8.68	10.56	32.6	
DFM7515B				0.27	3000	7.44	9.05	27.9	
DFL7515B				0.18	2500	6.20	7.54	23.3	
DFH7515S	Sleeve	12	10.8~13.2	0.25	3500	8.68	10.56	32.6	
DFM7515S				0.15	3000	7.44	9.05	27.9	
DFL7515S				0.10	2500	6.20	7.54	23.3	
DFH7515B	Ball			0.25	3500	8.68	10.56	32.6	
DFM7515B				0.15	3000	7.44	9.05	27.9	
DFL7515B				0.10	2500	6.20	7.54	23.3	

Notes:1. The parameters listed above are for reference. 2. Individual specification will be according to approval sheet provided or customers requirement.

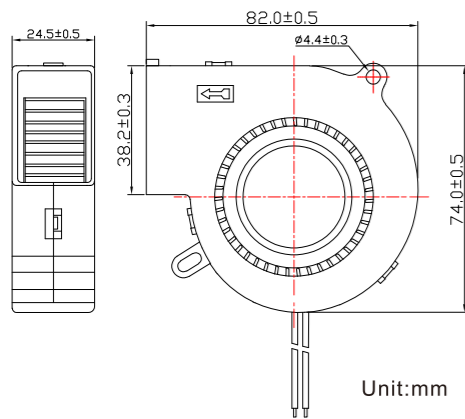
# 7525



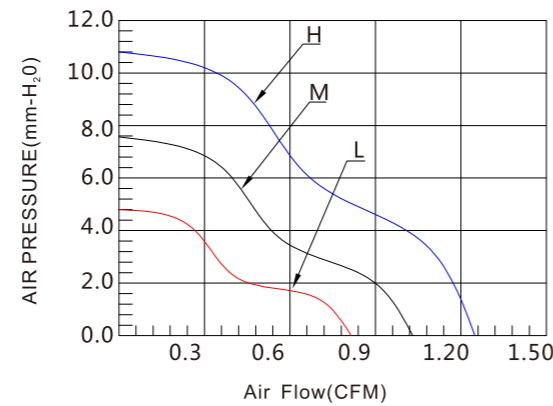
### General Specifications (一般规格)

- ◆Material:  
Frame And Impeller:Thermal Plastic UL 94-0
- ◆Lead Wires:UL Type  
RED Wire Positive(+)  
Black Wire Negative(-)
- ◆Insulation Resistance:10MΩ Or Over With a DC250V Megger
- ◆Dielectric Withstand Voltage:AC500V 1S
- ◆Allowable Ambient Temperature Range:  
-10°C ~ +70°C(Operating)  
-40°C ~ +70°C(Storage)

### Dimensions Drawing(外观图)



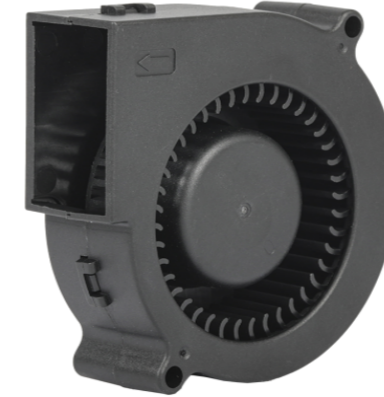
### Characteristic Curves (特性曲线)



### Specifications/规格

型号 Model	轴承类型 Bearing Type	电压 Rated Voltage	电压范围 Operation Voltage	电流 Current	转速 Speed	风量 Air Flow	风压 Static Pressure	噪音 Noise Level	重量 Weight
		VDC	VDC	A	RPM	CFM	mmH <sub>2</sub> O	dBA	g
DFH7525S	Sleeve	12	10.8~13.2	0.35	3000	12.42	10.80	38.0	65
DFM7525S				0.22	2500	10.35	7.50	34.1	
DFL7525S				0.15	2000	8.28	4.80	29.2	
DFH7525B	Ball			0.35	3000	12.42	10.80	38.0	
DFM7525B				0.22	2500	10.35	7.50	34.1	
DFL7525B				0.15	2000	8.28	4.80	29.2	
DFH7525S	Sleeve	24	21.6~26.4	0.2	3000	12.42	10.80	38.0	
DFM7525S				0.15	2500	10.35	7.50	34.1	
DFL7525S				0.10	2000	8.28	4.80	29.2	
DFH7525B	Ball			0.20	3000	12.42	10.80	38.0	
DFM7525B				0.15	2500	10.35	7.50	34.1	
DFL7525B				0.10	2000	8.28	4.80	29.2	

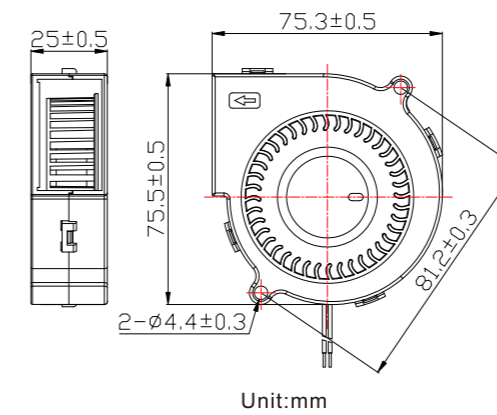
# 7525



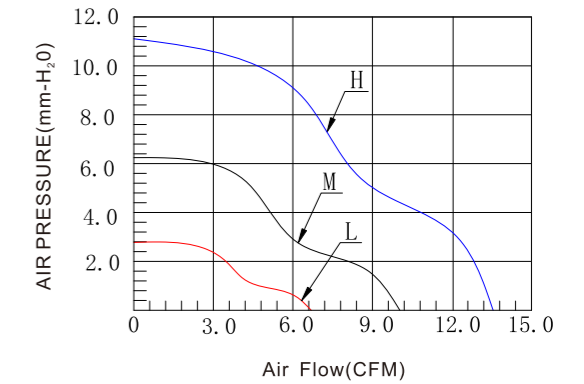
### General Specifications (一般规格)

- ◆Material:  
Frame And Impeller:Thermal Plastic UL 94-0
- ◆Lead Wires:UL Type  
RED Wire Positive(+)  
Black Wire Negative(-)
- ◆Insulation Resistance:10MΩ Or Over With a DC250V Megger
- ◆Dielectric Withstand Voltage:AC500V 1S
- ◆Allowable Ambient Temperature Range:  
-10°C ~ +70°C(Operating)  
-40°C ~ +70°C(Storage)

### Dimensions Drawing(外观图)



### Characteristic Curves (特性曲线)



### Specifications/规格

型号 Model	轴承类型 Bearing Type	电压 Rated Voltage	电压范围 Operation Voltage	电流 Current	转速 Speed	风量 Air Flow	风压 Static Pressure	噪音 Noise Level	重量 Weight
		VDC	VDC	A	RPM	CFM	mmH <sub>2</sub> O	dBA	g
DFH7525S	Sleeve	12	10.8~13.2	0.35	4000	13.51	19.50	37.2	65
DFM7525S				0.22	3000	10.13	10.97	31.6	
DFL7525S				0.15	2000	6.76	4.88	23.6	
DFH7525B	Ball			0.35	4000	13.51	19.50	37.2	
DFM7525B				0.22	3000	10.13	10.97	31.6	
DFL7525B				0.15	2000	6.76	4.88	23.6	
DFH7525S	Sleeve	24	21.6~26.4	0.20	4000	13.51	19.50	37.2	
DFM7525S				0.15	3000	10.13	10.97	31.6	
DFL7525S				0.10	2000	6.76	4.88	23.6	
DFH7525B	Ball			0.20	4000	13.51	19.50	37.2	
DFM7525B				0.15	3000	10.13	10.97	31.6	
DFL7525B				0.10	2000	6.76	4.88	23.6	

Notes:1. The parameters listed above are for reference. 2. Individual specification will be according to approval sheet provided or customers requirement.

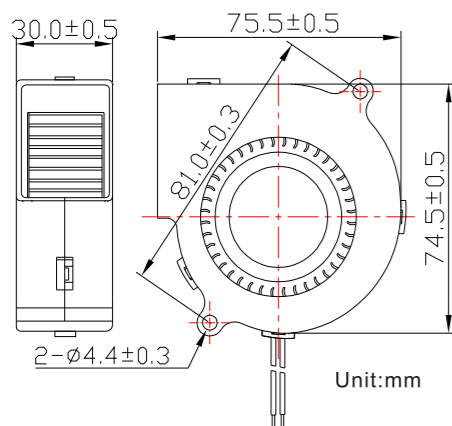
# 7530-A



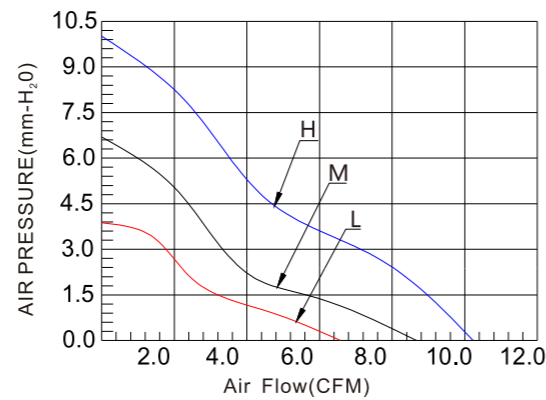
### General Specifications (一般规格)

- ◆Material:  
Frame And Impeller:Thermal Plastic UL 94-0
- ◆Lead Wires:UL Type  
RED Wire Positive(+)  
Black Wire Negative(-)
- ◆Insulation Resistance:10MΩ Or Over With a DC250V Megger
- ◆Dielectric Withstand Voltage:AC500V 1S
- ◆Allowable Ambient Temperature Range:  
-10°C ~ +70°C(Operating)  
-40°C ~ +70°C(Storage)

### Dimensions Drawing(外观图)



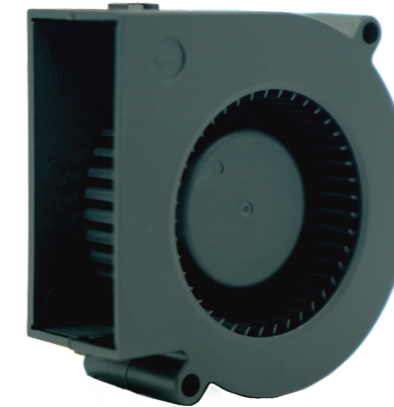
### Characteristic Curves (特性曲线)



### Specifications/规格

型号 Model	轴承类型 Bearing Type	电压 Rated Voltage	电压范围 Operation Voltage	电流 Current	转速 Speed	风量 Air Flow	风压 Static Pressure	噪音 Noise Level	重量 Weight
		VDC	VDC						
DFH7530S	Sleeve	12	10.8~13.2	0.50	3000	10.5	9.80	37.5	76
DFM7530S				0.40	2500	8.80	6.60	35.5	
DFL7530S				0.30	2000	7.10	3.90	27.5	
DFH7530B	Ball			0.50	3000	10.5	9.80	37.5	
DFM7530B				0.40	2500	8.80	6.60	35.5	
DFL7530B				0.30	2000	7.10	3.90	27.5	
DFH7530S	Sleeve	24	21.6~26.4	0.30	3000	10.5	9.80	37.5	
DFM7530S				0.24	2500	8.80	6.60	35.5	
DFL7530S				0.18	2000	7.10	3.90	27.5	
DFH7530B	Ball			0.30	3000	10.5	9.80	37.5	
DFM7530B				0.24	2500	8.80	6.60	35.5	
DFL7530B				0.18	2000	7.10	3.90	27.5	

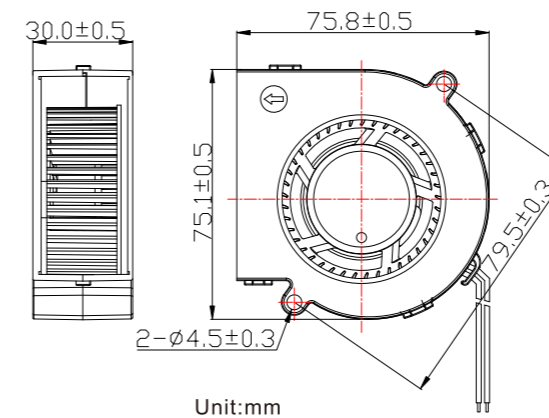
# 7530-B



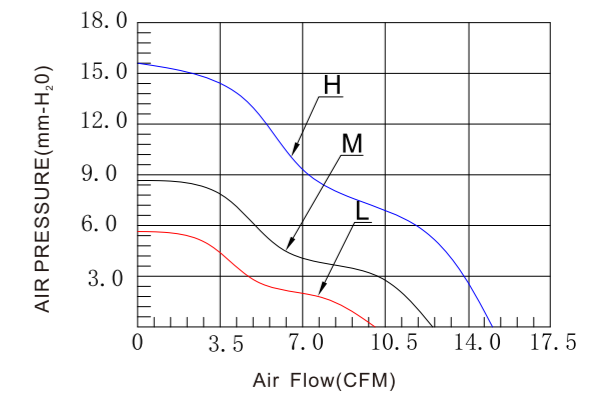
### General Specifications (一般规格)

- ◆Material:  
Frame And Impeller:Thermal Plastic UL 94-0
- ◆Lead Wires:UL Type  
RED Wire Positive(+)  
Black Wire Negative(-)
- ◆Insulation Resistance:10MΩ Or Over With a DC250V Megger
- ◆Dielectric Withstand Voltage:AC500V 1S
- ◆Allowable Ambient Temperature Range:  
-10°C ~ +70°C(Operating)  
-40°C ~ +70°C(Storage)

### Dimensions Drawing(外观图)



### Characteristic Curves (特性曲线)



### Specifications/规格

型号 Model	轴承类型 Bearing Type	电压 Rated Voltage	电压范围 Operation Voltage	电流 Current	转速 Speed	风量 Air Flow	风压 Static Pressure	噪音 Noise Level	重量 Weight
		VDC	VDC						
DFH7530S	Hydraulic	12	10.8~13.2	0.35	3000	15.03	12.60	37.4	76
DFM7530S				0.25	2500	12.52	8.75	33.8	
DFL7530S				0.15	2000	10.01	5.60	29.4	
DFH7530B	Ball			0.35	3000	15.03	12.60	37.4	
DFM7530B				0.25	2500	12.52	8.75	33.8	
DFL7530B				0.15	2000	10.01	5.60	29.4	
DFH7530S	Hydraulic	24	21.6~26.4	0.25	3000	15.03	12.60	37.4	
DFM7530S				0.15	2500	12.52	8.75	33.8	
DFL7530S				0.10	2000	10.01	5.60	29.4	
DFH7530B	Ball			0.25	3000	15.03	12.60	37.4	
DFM7530B				0.15	2500	12.52	8.75	33.8	
DFL7530B				0.10	2000	10.01	5.60	29.4	

Notes:1. The parameters listed above are for reference. 2. Individual specification will be according to approval sheet provided or customers requirement.

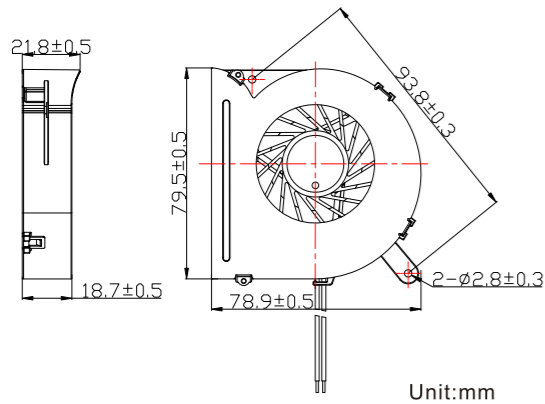
# 8020-A



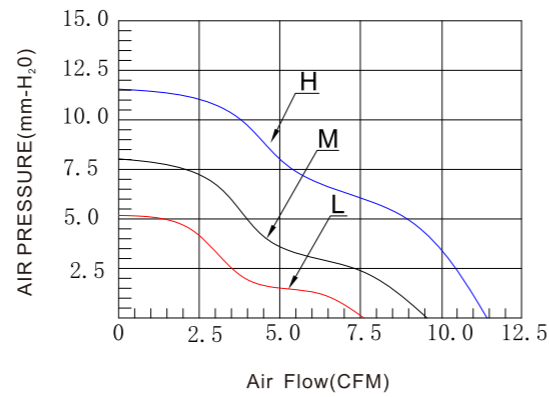
### General Specifications (一般规格)

- ◆Material:  
Frame And Impeller:Thermal Plastic UL 94-0
- ◆Lead Wires:UL Type  
RED Wire Positive(+)  
Black Wire Negative(-)
- ◆Insulation Resistance:10MΩ Or Over With a DC250V Megger
- ◆Dielectric Withstand Voltage:AC500V 1S
- ◆Allowable Ambient Temperature Range:  
-10°C ~ +70°C(Operating)  
-40°C ~ +70°C(Storage)

### Dimensions Drawing(外观图)



### Characteristic Curves (特性曲线)



### Specifications/规格

型号 Model	轴承类型 Bearing Type	电压 Rated Voltage	电压范围 Operation Voltage	电流 Current	转速 Speed	风量 Air Flow	风压 Static Pressure	噪音 Noise Level	重量 Weight
		VDC	VDC	A	RPM	CFM	mmH <sub>2</sub> O	dBA	g
DFH8020B	Ball	5	4.5~5.5	0.35	3000	11.43	11.57	30.6	57
DFM8020B				0.18	2500	9.53	8.04	27.0	
DFL8020B				0.10	2000	7.62	5.15	22.6	
DFH8020B		12	10.8~13.2	0.20	3000	11.43	11.57	30.6	
DFM8020B				0.12	2500	9.53	8.04	27.0	
DFL8020B				0.06	2000	7.62	5.15	22.6	

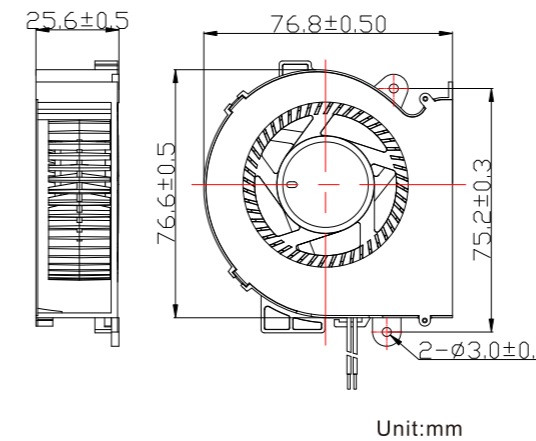
# 8025



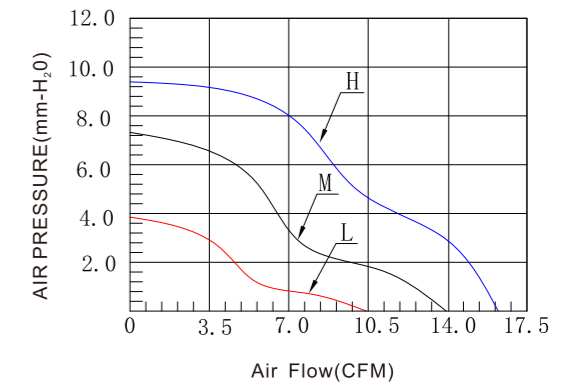
### General Specifications (一般规格)

- ◆Material:  
Frame And Impeller:Thermal Plastic UL 94-0
- ◆Lead Wires:UL Type  
RED Wire Positive(+)  
Black Wire Negative(-)
- ◆Insulation Resistance:10MΩ Or Over With a DC250V Megger
- ◆Dielectric Withstand Voltage:AC500V 1S
- ◆Allowable Ambient Temperature Range:  
-10°C ~ +70°C(Operating)  
-40°C ~ +70°C(Storage)

### Dimensions Drawing(外观图)



### Characteristic Curves (特性曲线)



### Specifications/规格

型号 Model	轴承类型 Bearing Type	电压 Rated Voltage	电压范围 Operation Voltage	电流 Current	转速 Speed	风量 Air Flow	风压 Static Pressure	噪音 Noise Level	重量 Weight
		VDC	VDC	A	RPM	CFM	mmH <sub>2</sub> O	dBA	g
DFH8025S	Hydraulic	12	10.8~13.2	0.30	2800	16.24	9.44	32.0	66
DFM8025S				0.25	2400	13.93	7.25	29.1	
DFL8025S				0.20	1800	10.44	3.91	23.4	
DFH8025B	Ball			0.30	2800	16.24	9.44	32.0	
DFM8025B				0.25	2400	13.93	7.25	29.1	
DFL8025B				0.20	1800	10.44	3.91	23.4	
DFH8025S	Hydraulic	24	21.6~26.4	0.20	2800	16.24	9.44	32.0	
DFM8025S				0.15	2400	13.93	7.25	29.1	
DFL8025S				0.10	1800	10.44	3.91	23.4	
DFH8025B	Ball			0.20	2800	16.24	9.44	32.0	
DFM8025B				0.15	2400	13.93	7.25	29.1	
DFL8025B				0.10	1800	10.44	3.91	23.4	

Notes:1. The parameters listed above are for reference. 2. Individual specification will be according to approval sheet provided or customers requirement.

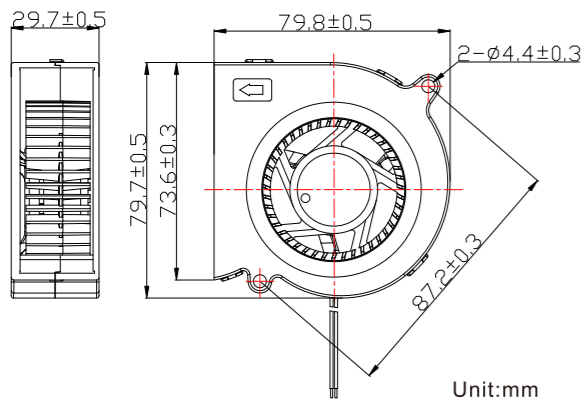
# 8030-A



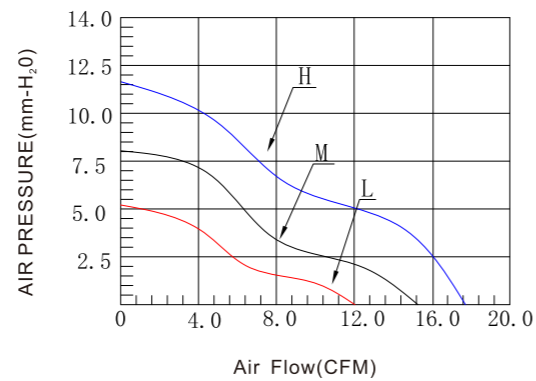
### General Specifications (一般规格)

- ◆Material:  
Frame And Impeller:Thermal Plastic UL 94-0
- ◆Lead Wires:UL Type  
RED Wire Positive(+)  
Black Wire Negative(-)
- ◆Insulation Resistance:10MΩ Or Over With a DC250V Megger
- ◆Dielectric Withstand Voltage:AC500V 1S
- ◆Allowable Ambient Temperature Range:  
-10°C ~ +70°C(Operating)  
-40°C ~ +70°C(Storage)

### Dimensions Drawing(外观图)



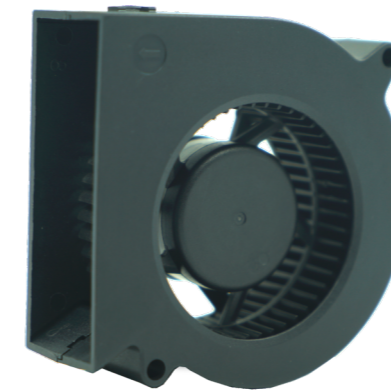
### Characteristic Curves (特性曲线)



### Specifications/规格

型号 Model	轴承类型 Bearing Type	电压 Rated Voltage	电压范围 Operation Voltage	电流 Current	转速 Speed	风量 Air Flow	风压 Static Pressure	噪音 Noise Level	重量 Weight
		VDC	VDC	A	RPM	CFM	mmH <sub>2</sub> O	dBA	g
DFH8030S	Sleeve	12	10.8~13.2	0.30	3000	18.28	11.74	39.3	82
DFM8030S				0.20	2500	15.23	8.15	35.3	
DFL8030S				0.15	2000	12.18	5.22	30.5	
DFH8030B	Ball			0.30	3000	18.28	11.74	39.3	
DFM8030B				0.20	2500	15.23	8.15	35.3	
DFL8030B				0.15	2000	12.18	5.22	30.5	

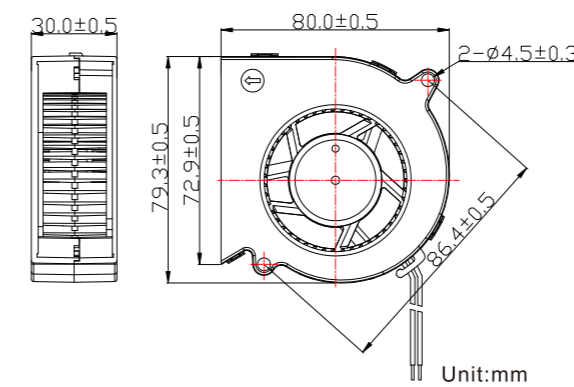
# 8030-B



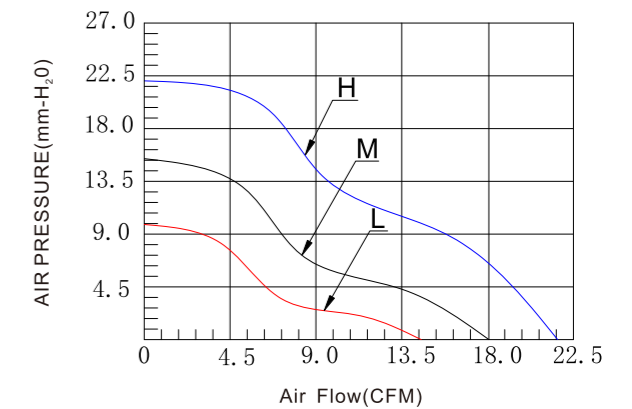
### General Specifications (一般规格)

- ◆Material:  
Frame And Impeller:Thermal Plastic UL 94-0
- ◆Lead Wires:UL Type  
RED Wire Positive(+)  
Black Wire Negative(-)
- ◆Insulation Resistance:10MΩ Or Over With a DC250V Megger
- ◆Dielectric Withstand Voltage:AC500V 1S
- ◆Allowable Ambient Temperature Range:  
-10°C ~ +70°C(Operating)  
-40°C ~ +70°C(Storage)

### Dimensions Drawing(外观图)



### Characteristic Curves (特性曲线)



### Specifications/规格

型号 Model	轴承类型 Bearing Type	电压 Rated Voltage	电压范围 Operation Voltage	电流 Current	转速 Speed	风量 Air Flow	风压 Static Pressure	噪音 Noise Level	重量 Weight
		VDC	VDC	A	RPM	CFM	mmH <sub>2</sub> O	dBA	g
DFH8030S	Hydraulic	12	10.8~13.2	0.45	3000	21.69	22.10	37.2	85
DFM8030S				0.28	2500	18.07	15.35	33.6	
DFL8030S				0.18	2000	14.47	9.82	29.3	
DFH8030B	Ball			0.45	3000	21.69	22.10	37.2	
DFM8030B				0.28	2500	18.07	15.35	33.6	
DFL8030B				0.18	2000	14.47	9.82	29.3	
DFH8030S	Hydraulic	24	21.6~26.4	0.25	3000	21.69	22.10	37.2	
DFM8030S				0.20	2500	18.07	15.35	33.6	
DFL8030S				0.15	2000	14.47	9.82	29.3	
DFH8030B	Ball			0.25	3000	21.69	22.10	37.2	
DFM8030B				0.20	2500	18.07	15.35	33.6	
DFL8030B				0.15	2000	14.47	9.82	29.3	

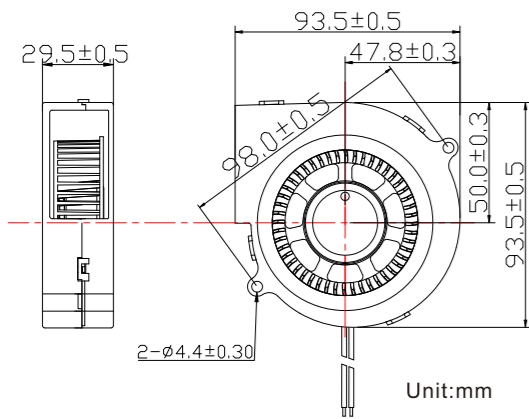
# 9330-A



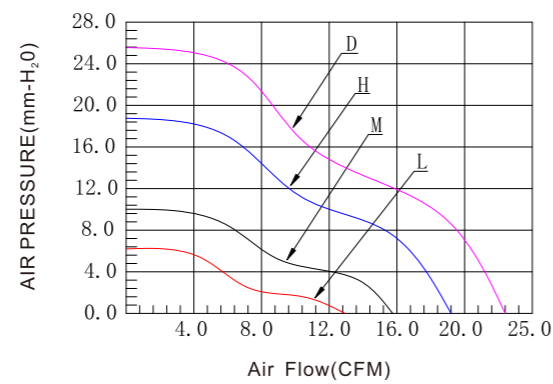
### General Specifications (一般规格)

- ◆Material:  
Frame And Impeller:Thermal Plastic UL 94-0
- ◆Lead Wires:UL Type  
RED Wire Positive(+)  
Black Wire Negative(-)
- ◆Insulation Resistance:10MΩ Or Over With a DC250V Megger
- ◆Dielectric Withstand Voltage:AC500V 1S
- ◆Allowable Ambient Temperature Range:  
-10°C ~ +70°C(Operating)  
-40°C ~ +70°C(Storage)

### Dimensions Drawing(外观图)



### Characteristic Curves (特性曲线)



### Specifications/规格

型号 Model	轴承类型 Bearing Type	电压 Rated Voltage VDC	电压范围 Operation Voltage VDC	电流 Current A	转速 Speed RPM	风量 Air Flow CFM	风压 Static Pressure mmH <sub>2</sub> O	噪音 Noise Level dBA	重量 Weight g
DFD9330S	Sleeve	12	10.8~13.2	0.70	3500	22.40	25.59	48.3	155
DFH9330S				0.50	3000	19.20	18.80	45.0	
DFM9330S				0.30	2500	15.80	10.00	42.0	
DFL9330S				0.20	2100	13.00	6.30	38.0	
DFD9330B	Ball			0.70	3500	22.40	25.59	48.3	
DFH9330B				0.50	3000	19.20	18.80	45.0	
DFM9330B				0.30	2500	15.80	10.00	42.0	
DFL9330B				0.20	2100	13.00	6.30	38.0	
DFD9330S	Sleeve	24	21.6~26.4	0.40	3500	22.40	25.59	48.3	
DFH9330S				0.20	3000	19.20	18.80	45.0	
DFM9330S				0.15	2500	15.80	10.00	42.0	
DFL9330S				0.10	2100	13.00	6.30	38.0	
DFD9330B	Ball			0.40	3500	22.40	25.59	48.3	
DFH9330B				0.20	3000	19.20	18.80	45.0	
DFM9330B				0.15	2500	15.80	10.00	42.0	
DFL9330B				0.10	2100	13.00	6.30	38.0	

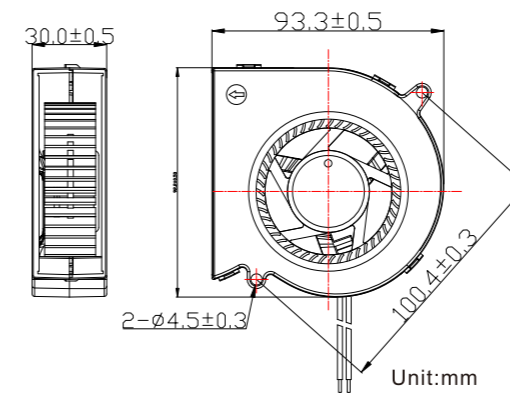
# 9330-C



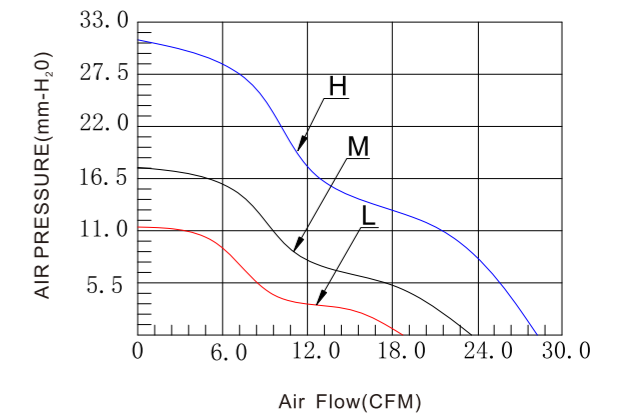
### General Specifications (一般规格)

- ◆Material:  
Frame And Impeller:Thermal Plastic UL 94-0
- ◆Lead Wires:UL Type  
RED Wire Positive(+)  
Black Wire Negative(-)
- ◆Insulation Resistance:10MΩ Or Over With a DC250V Megger
- ◆Dielectric Withstand Voltage:AC500V 1S
- ◆Allowable Ambient Temperature Range:  
-10°C ~ +70°C(Operating)  
-40°C ~ +70°C(Storage)

### Dimensions Drawing(外观图)



### Characteristic Curves (特性曲线)



### Specifications/规格

型号 Model	轴承类型 Bearing Type	电压 Rated Voltage VDC	电压范围 Operation Voltage VDC	电流 Current A	转速 Speed RPM	风量 Air Flow CFM	风压 Static Pressure mmH <sub>2</sub> O	噪音 Noise Level dBA	重量 Weight g		
DFH9330S	Hydraulic	12	10.8~13.2	0.60	3000	28.22	25.70	38.8	110		
DFM9330S				0.40	2500	23.52	17.84	35.3			
DFL9330S				0.25	2000	18.81	11.42	30.9			
DFH9330B				Ball	0.60	3000	28.22	25.70		38.8	
DFM9330B	0.40				2500	23.52	17.84	35.3			
DFL9330B	0.25				2000	18.81	11.42	30.9			
DFH9330S	Hydraulic				24	21.6~26.4	0.40	3000		28.22	25.70
DFM9330S				0.25			2500	23.52		17.84	35.3
DFL9330S		0.20	2000	18.81			11.42	30.9			
DFH9330B		Ball	0.40	3000			28.22	25.70		38.8	
DFM9330B	0.25		2500	23.52			17.84	35.3			
DFL9330B	0.20		2000	18.81			11.42	30.9			

Notes:1. The parameters listed above are for reference. 2. Individual specification will be according to approval sheet provided or customers requirement.

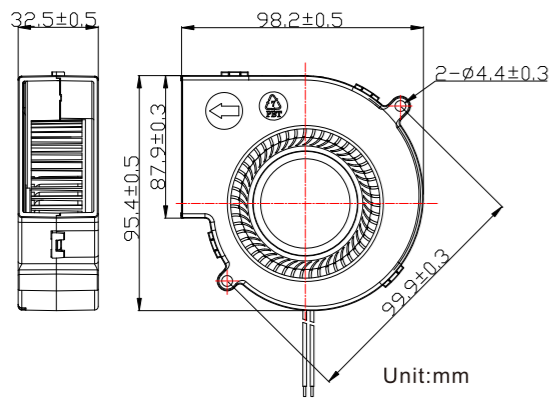
# 9733



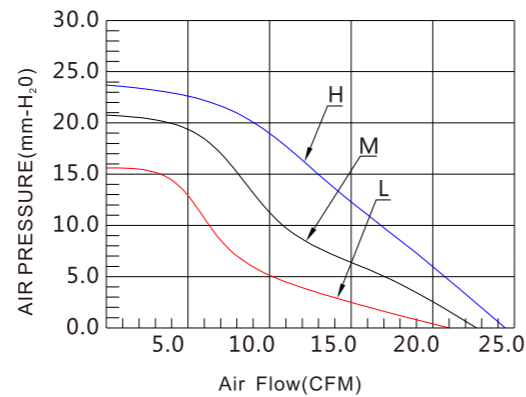
### General Specifications (一般规格)

- ◆Material:  
Frame And Impeller:Thermal Plastic UL 94-0
- ◆Lead Wires:UL Type  
RED Wire Positive(+)  
Black Wire Negative(-)
- ◆Insulation Resistance:10MΩ Or Over With a DC250V Megger
- ◆Dielectric Withstand Voltage:AC500V 1S
- ◆Allowable Ambient Temperature Range:  
-10°C ~ +70°C(Operating)  
-40°C ~ +70°C(Storage)

### Dimensions Drawing(外观图)



### Characteristic Curves (特性曲线)



### Specifications/规格

型号 Model	轴承类型 Bearing Type	电压 Rated Voltage	电压范围 Operation Voltage	电流 Current	转速 Speed	风量 Air Flow	风压 Static Pressure	噪音 Noise Level	重量 Weight	
		VDC	VDC	A	RPM	CFM	mmH <sub>2</sub> O	dBA	g	
DFH9733S	Sleeve	12	10.8~13.2	1.00	3200	24.90	23.06	48.8	146	
DFM9733S				0.60	3000	23.10	20.86	43.7		
DFL9733S				0.50	2600	20.10	15.03	34.3		
DFH9733B	Ball			1.00	3200	24.90	23.06	48.8		
DFM9733B				0.60	3000	23.10	20.86	43.7		
DFL9733B				0.50	2600	20.10	15.03	34.3		
DFD9733S	Sleeve	24	21.6~26.4	0.80	5000	38.91	56.30	58.5		
DFH9733S				0.60	3200	24.90	23.06	48.8		
DFM9733S				0.40	3000	23.10	20.86	43.7		
DFL9733S				0.30	2600	20.10	15.03	34.3		
DFD9733B				Ball	0.80	5000	38.91	56.30		58.5
DFH9733B					0.60	3200	24.90	23.06		48.8
DFM9733B	0.40	3000	23.10		20.86	43.7				
DFL9733B		0.30	2600	20.10	15.03	34.3				

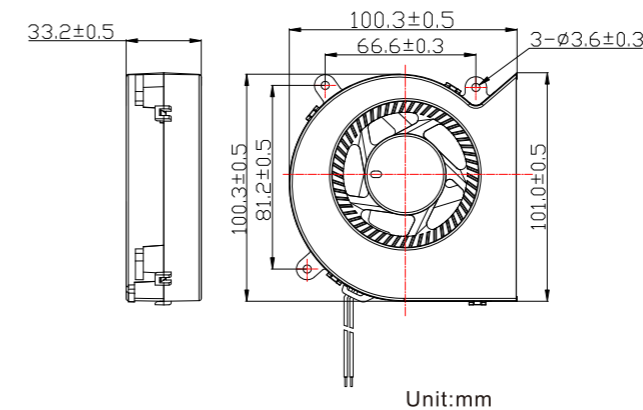
# 10033



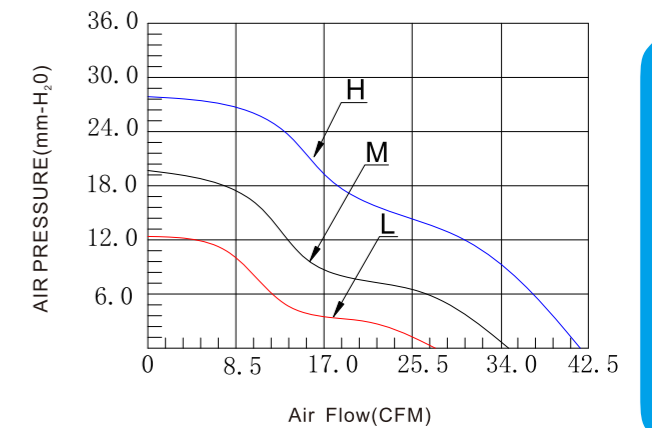
### General Specifications (一般规格)

- ◆Material:  
Frame And Impeller:Thermal Plastic UL 94-0
- ◆Lead Wires:UL Type  
RED Wire Positive(+)  
Black Wire Negative(-)
- ◆Insulation Resistance:10MΩ Or Over With a DC250V Megger
- ◆Dielectric Withstand Voltage:AC500V 1S
- ◆Allowable Ambient Temperature Range:  
-10°C ~ +70°C(Operating)  
-40°C ~ +70°C(Storage)

### Dimensions Drawing(外观图)



### Characteristic Curves (特性曲线)

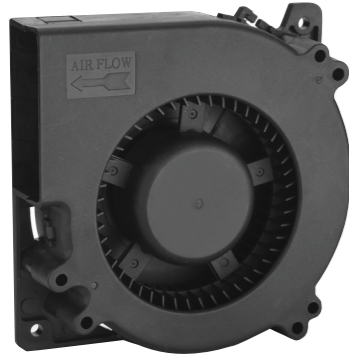


### Specifications/规格

型号 Model	轴承类型 Bearing Type	电压 Rated Voltage	电压范围 Operation Voltage	电流 Current	转速 Speed	风量 Air Flow	风压 Static Pressure	噪音 Noise Level	重量 Weight
		VDC	VDC	A	RPM	CFM	mmH <sub>2</sub> O	dBA	g
DFH10033S	Sleeve	12	10.8~13.2	0.70	3000	41.62	27.86	40.5	136
DFM10033S				0.50	2500	34.68	19.69	36.9	
DFL10033S				0.25	2000	27.74	12.39	32.6	
DFH10033B	Ball			0.70	3000	41.62	27.86	40.5	
DFM10033B				0.50	2500	34.68	19.69	36.9	
DFL10033B				0.25	2000	27.74	12.39	32.6	
DFH10033S	Sleeve	24	21.6~26.4	0.40	3000	41.62	27.86	40.5	
DFM10033S				0.25	2500	34.68	19.69	36.9	
DFL10033S				0.15	2000	27.74	12.39	32.6	
DFH10033B	Ball			0.40	3000	41.62	27.86	40.5	
DFM10033B				0.25	2500	34.68	19.69	36.9	
DFL10033B				0.15	2000	27.74	12.39	32.6	

Notes:1. The parameters listed above are for reference. 2. Individual specification will be according to approval sheet provided or customers requirement.

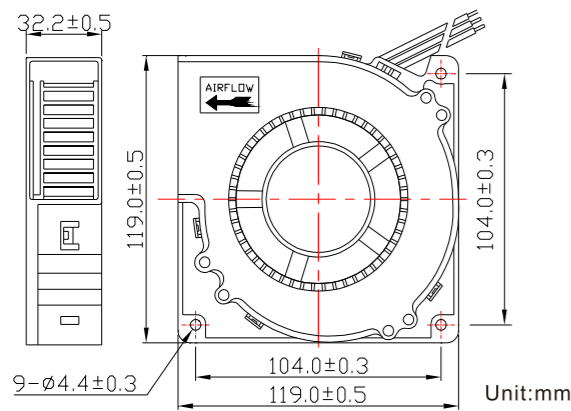
# 1232



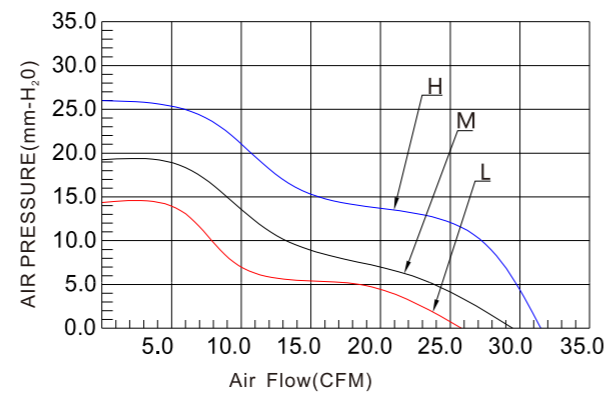
### General Specifications (一般规格)

- ◆Material:  
Frame And Impeller:Thermal Plastic UL 94-0
- ◆Lead Wires:UL Type  
RED Wire Positive(+)  
Black Wire Negative(-)
- ◆Insulation Resistance:10MΩ Or Over With a DC250V Megger
- ◆Dielectric Withstand Voltage:AC500V 1S
- ◆Allowable Ambient Temperature Range:  
-10°C ~ +70°C(Operating)  
-40°C ~ +70°C(Storage)

### Dimensions Drawing(外观图)



### Characteristic Curves (特性曲线)



### Specifications/规格

型号 Model	轴承类型 Bearing Type	电压 Rated Voltage VDC	电压范围 Operation Voltage VDC	电流 Current A	转速 Speed RPM	风量 Air Flow CFM	风压 Static Pressure mmH <sub>2</sub> O	噪音 Noise Level dBA	重量 Weight g
DFH1232S	Sleeve	12	10.8 ~ 13.2	1.50	2100	31.83	25.10	45.8	240
DFM1232S				0.80	1800	28.89	18.55	43.7	
DFL1232S				0.40	1600	25.87	14.10	40.9	
DFH1232B	Ball			1.50	2100	31.83	25.10	45.8	
DFM1232B				0.80	1800	28.89	18.55	43.7	
DFL1232B				0.40	1600	25.87	14.10	40.9	
DFH1232S	Sleeve	24	21.6 ~ 26.4	0.40	2100	31.83	25.10	45.8	
DFM1232S				0.30	1800	28.89	18.55	43.7	
DFL1232S				0.20	1600	25.87	14.10	40.9	
DFH1232B	Ball			0.40	2100	31.83	25.10	45.8	
DFM1232B				0.30	1800	28.89	18.55	43.7	
DFL1232B				0.20	1600	25.87	14.10	40.9	

Notes: 1. The parameters listed above are for reference. 2. Individual specification will be according to approval sheet provided or customers requirement.

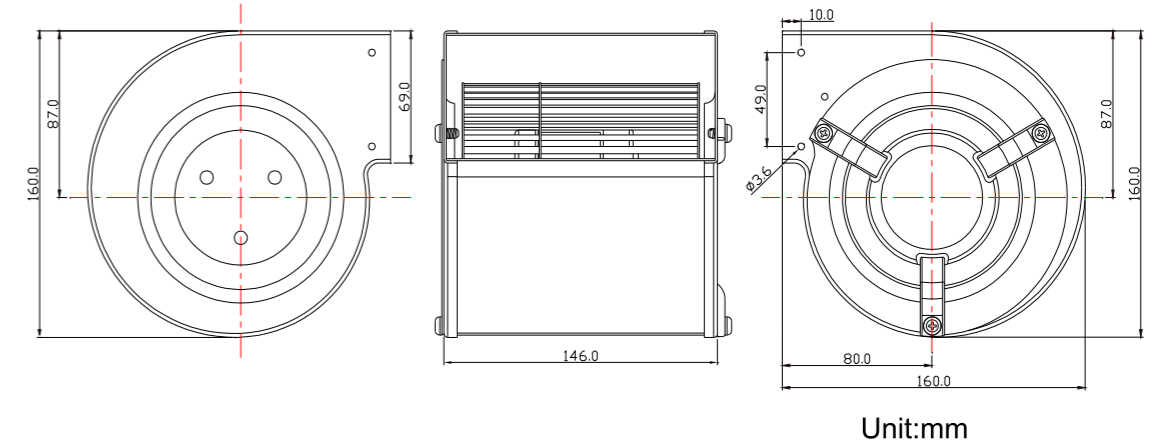
# 1615



### General Specifications (一般规格)

- ◆Material:  
Impeller:Galvanized Steel  
Scroll Housing:Black Paint
- ◆Weight:1.8KG
- ◆Bearing Type:Ball
- ◆Class B,Electric Protected
- ◆G2.5 Balancing
- ◆IP44 Protection Depending On Installation And Position As Per EN60034-5

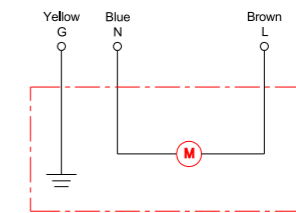
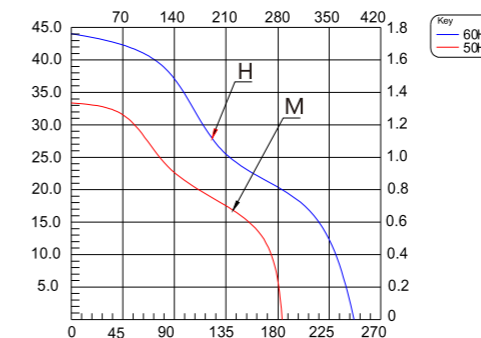
### Dimensions Drawing(外观图)



### Specifications/规格

型号 Model	轴承类型 Bearing Type	电压 Rated Voltage VDC	频率 Frequency Hz	电流 Current A	功率 Power W	转速 Speed RPM	噪音 Noise Level dBA	风量 Air Flow M <sup>3</sup> /h CFM	风压 Static Pressure mmH <sub>2</sub> O	重量 Weight g
2DEH1615B	Ball	110 ~ 240	50/60	0.50	70	1400	59	414 243.90	44.41	1800
2DEM1615B				0.20	30	1050	44	310 182.93	33.31	

### Characteristic Curves (特性曲线)



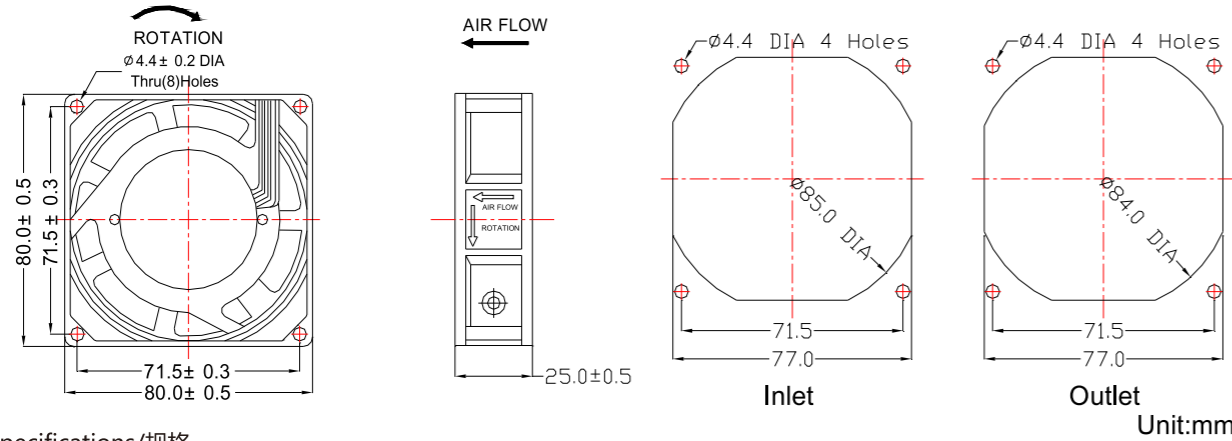
# 8025



### General Specifications (一般规格)

- ◆Material:  
Impeller: PBT UL 94V-0 Reinforced Plastic  
Frame :Aluminium Alloy
- ◆Lead Wires:UL Type
- ◆Motor Protection:Impedance Protect
- ◆Insulation Resistance:10MΩ Or Over With a DC500V Megger
- ◆Dielectric Withstand Voltage:AC1500V 3S
- ◆Allowable Ambient Temperature Range:  
-10°C ~ +70°C(Operating)  
-40°C ~ +70°C(Storage)

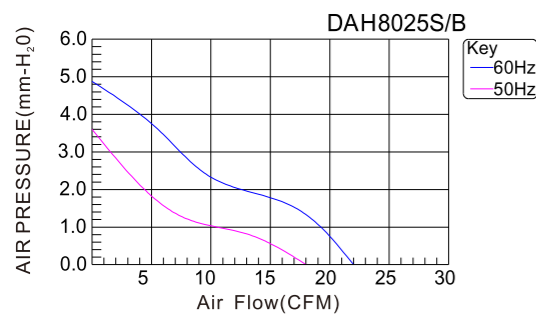
### Dimensions Drawing(外观图)



### Specifications/规格

型号 Model	轴承类型 Bearing Type	电压 Rated Voltage	频率 Fre- quency	电流 Current	功率 Power	转数 Speed	噪音 Noise Level	风量 Air Flow		风压 Static Pressure	重量 Weight
		VAC	Hz	A	W	RPM	dBA	M <sup>3</sup> /min	CFM	mmH <sub>2</sub> O	g
DAH8025S	Sleeve	115	50/60	0.12/0.10	12/11	2550/2900	29/33	0.51/0.62	18/22	3.30/4.83	260
DAH8025B	Ball										
DAH8025S	Sleeve	220 ~ 240		0.07/0.06	14/13.5	2550/2900					
DAH8025B	Ball										

### Characteristic Curves (特性曲线)



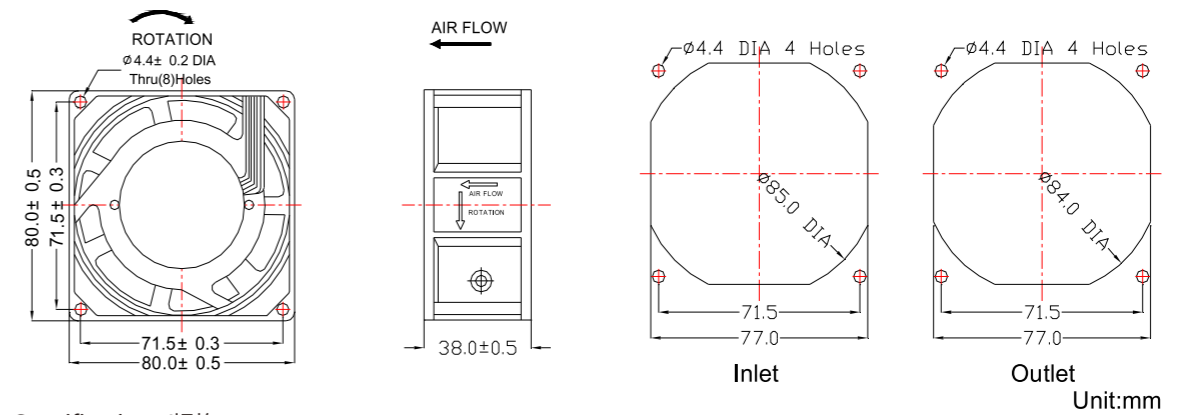
# 8038



### General Specifications (一般规格)

- ◆Material:  
Impeller: PBT UL 94V-0 Reinforced Plastic  
Frame :Aluminium Alloy
- ◆Lead Wires:UL Type
- ◆Motor Protection:Impedance Protect
- ◆Insulation Resistance:10MΩ Or Over With a DC500V Megger
- ◆Dielectric Withstand Voltage:AC1500V 3S
- ◆Allowable Ambient Temperature Range:  
-10°C ~ +70°C(Operating)  
-40°C ~ +70°C(Storage)

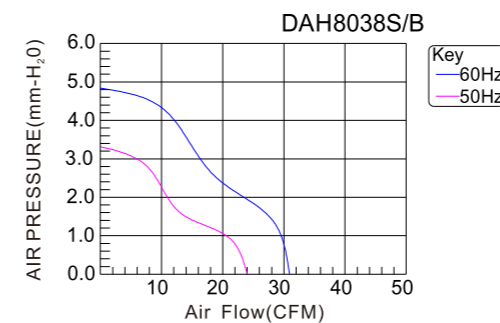
### Dimensions Drawing(外观图)



### Specifications/规格

型号 Model	轴承类型 Bearing Type	电压 Rated Voltage	频率 Fre- quency	电流 Current	功率 Power	转数 Speed	噪音 Noise Level	风量 Air Flow		风压 Static Pressure	重量 Weight
		VAC	Hz	A	W	RPM	dBA	M <sup>3</sup> /min	CFM	mmH <sub>2</sub> O	g
DAH8038S	Sleeve	115	50/60	0.15/0.13	14/12	2400/2850	31/35	0.68/0.88	24/31	3.30/4.83	340
DAH8038B	Ball										
DAH8038S	Sleeve	220 ~ 240		0.08/0.07							
DAH8038B	Ball										

### Characteristic Curves (特性曲线)



Notes: 1. The parameters listed above are for reference. 2. Individual specification will be according to approval sheet provided or customers requirement.

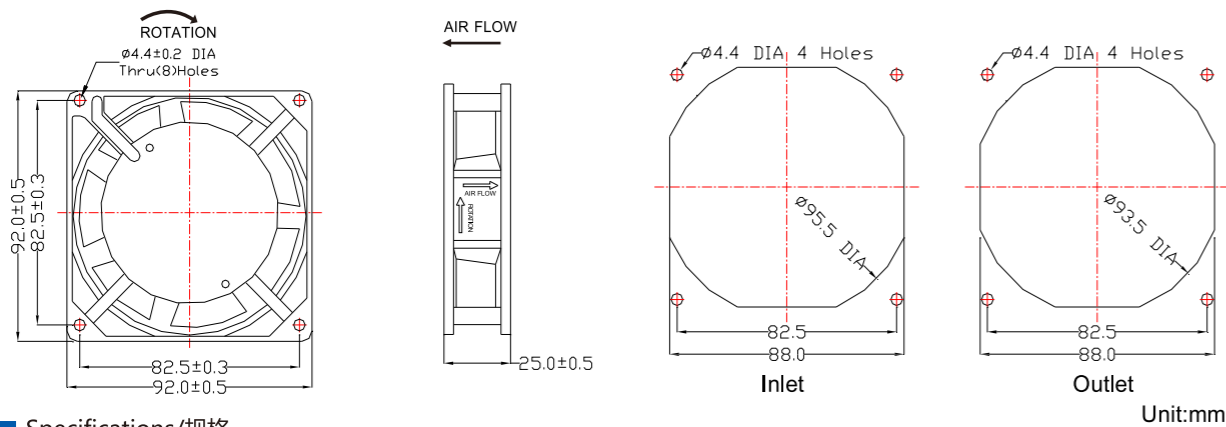
# 9225



### General Specifications (一般规格)

- ◆Material:  
Impeller: PBT UL 94V-0 Reinforced Plastic  
Frame :Aluminium Alloy
- ◆Lead Wires:UL Type
- ◆Motor Protection:Impedance Protect
- ◆Insulation Resistance:10MΩ Or Over With a DC500V Megger
- ◆Dielectric Withstand Voltage:AC1500V 3S
- ◆Allowable Ambient Temperature Range:  
-10°C ~ +70°C(Operating)  
-40°C ~ +70°C(Storage)

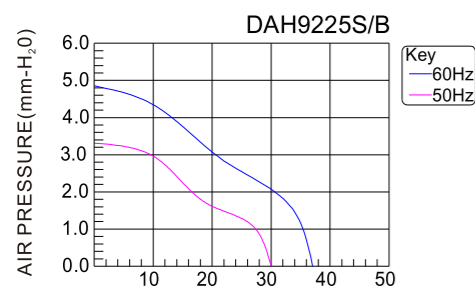
### Dimensions Drawing(外观图)



### Specifications/规格

型号 Model	轴承类型 Bearing Type	电压 Rated Voltage	频率 Fre- quency	电流 Current	功率 Power	转速 Speed	噪音 Noise Level	风量 Air Flow		风压 Static Pressure	重量 Weight
		VAC	Hz	A	W	RPM	dBA	M <sup>3</sup> /min	CFM	mmH <sub>2</sub> O	g
DAH9225S	Sleeve	115	50/60	0.12/0.11	13/12	2550/2900	32/37	0.85/1.05	30/37	3.30/4.83	280
DAH9225B	Ball										
DAH9225S	Sleeve	220 ~ 240		0.07/0.06	14/13.5						
DAH9225B	Ball										

### Characteristic Curves (特性曲线)



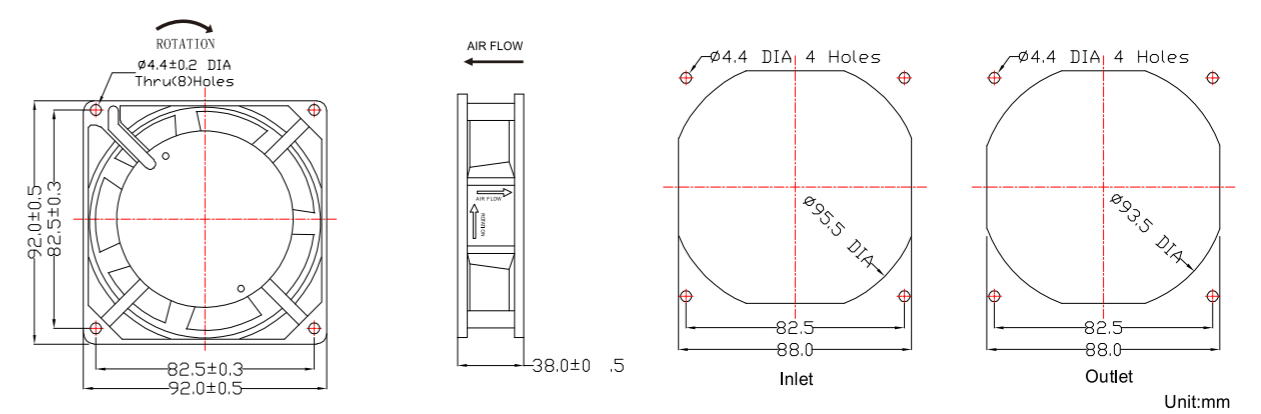
# 9238



### General Specifications (一般规格)

- ◆Material:  
Impeller: PBT UL 94V-0 Reinforced Plastic  
Frame :Aluminium Alloy
- ◆Lead Wires:UL Type
- ◆Motor Protection:Impedance Protect
- ◆Insulation Resistance:10MΩ Or Over With a DC500V Megger
- ◆Dielectric Withstand Voltage:AC1500V 3S
- ◆Allowable Ambient Temperature Range:  
-10°C ~ +70°C(Operating)  
-40°C ~ +70°C(Storage)

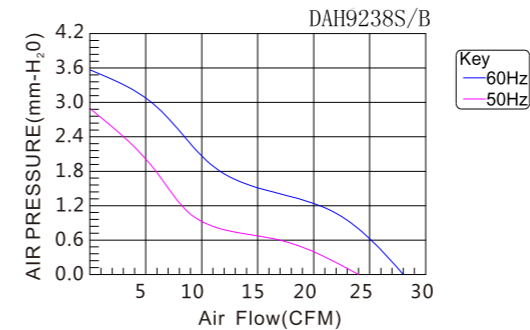
### Dimensions Drawing(外观图)



### Specifications/规格

型号 Model	轴承类型 Bearing Type	电压 Rated Voltage	频率 Fre- quency	电流 Current	功率 Power	转速 Speed	噪音 Noise Level	风量 Air Flow		风压 Static Pressure	重量 Weight
		VAC	Hz	A	W	RPM	dBA	M <sup>3</sup> /min	CFM	mmH <sub>2</sub> O	g
DAH9238S	Sleeve	115	50/60	0.18/0.16	18/15	2500/3000	30/35	0.68/0.79	24/28	2.80/3.50	280
DAH9238B	Ball										
DAH9238S	Sleeve	220 ~ 240		0.09/0.08	15/13						
DAH9238B	Ball										

### Characteristic Curves (特性曲线)



Notes: 1. The parameters listed above are for reference. 2. Individual specification will be according to approval sheet provided or customers requirement.

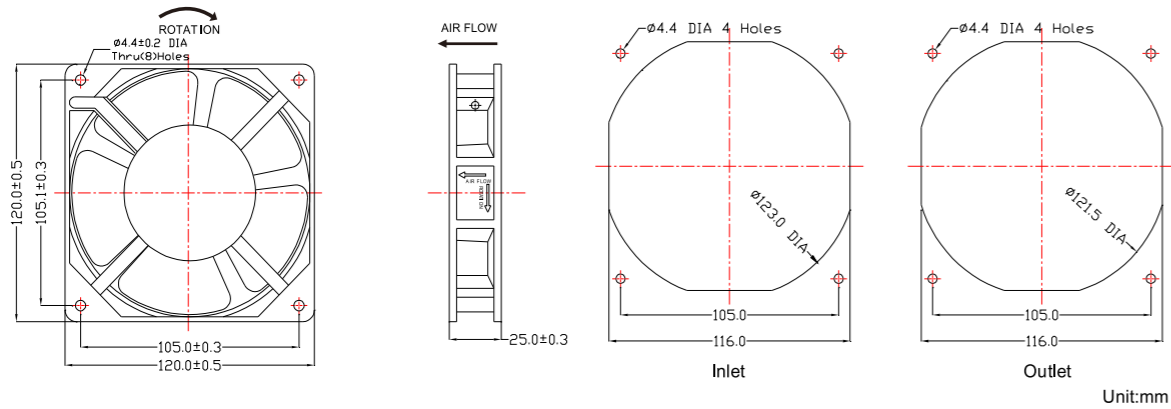
# 1225



### General Specifications (一般规格)

- ◆Material:  
Impeller: PBT UL 94V-0 Reinforced Plastic  
Frame :Aluminium Alloy
- ◆Lead Wires:UL Type
- ◆Motor Protection:Impedance Protect
- ◆Insulation Resistance:10MΩ Or Over With a DC500V Megger
- ◆Dielectric Withstand Voltage:AC1500V 3S
- ◆Allowable Ambient Temperature Range:  
-10°C ~ +70°C(Operating)  
-40°C ~ +70°C(Storage)

### Dimensions Drawing(外观图)

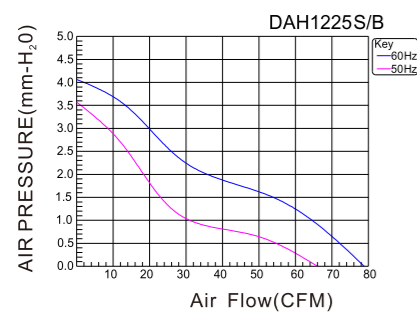


### Characteristic Curves (特性曲线)

### Specifications/规格

型号 Model	轴承类型 Bearing Type	电压 Rated Voltage	频率 Fre- quency	电流 Current	功率 Power	转速 Speed	噪音 Noise Level	风量 Air Flow		风压 Static Pressure	重量 Weight
		VAC	Hz	A	W	RPM	dBA	M <sup>3</sup> /min	CFM	mmH <sub>2</sub> O	g
DAH1225S	Sleeve	115	50/60	0.19/0.18	19/18	2200/2400	38/40	1.87/2.21	66/78	3.56/4.06	330
DAH1225B	Ball										
DAH1225S	Sleeve			0.09/0.09							
DAH1225B	Ball										

### Characteristic Curves (特性曲线)



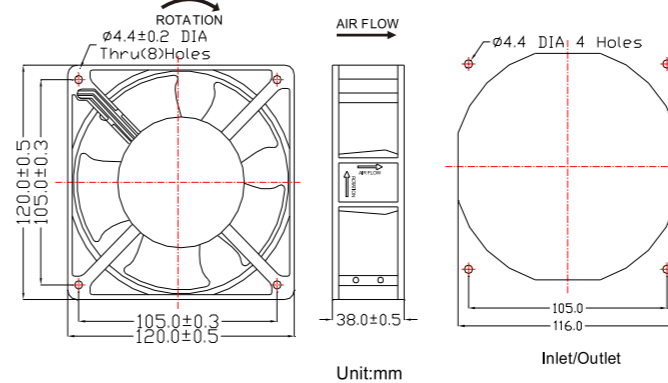
# 1238



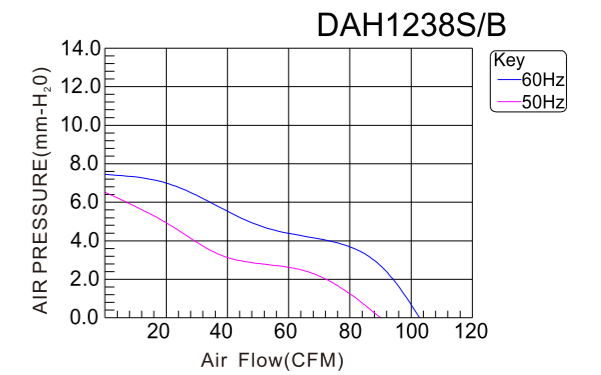
### General Specifications (一般规格)

- ◆Material:  
Impeller: PBT UL 94V-0 Reinforced Plastic  
Frame :Aluminium Alloy
- ◆Lead Wires:UL Type
- ◆Motor Protection:Impedance Protect
- ◆Insulation Resistance:10MΩ Or Over With a DC500V Megger
- ◆Dielectric Withstand Voltage:AC1500V 3S
- ◆Allowable Ambient Temperature Range:  
-10°C ~ +70°C(Operating)  
-40°C ~ +70°C(Storage)

### Dimensions Drawing(外观图)



### Characteristic Curves (特性曲线)



### Specifications/规格

型号 Model	轴承类型 Bearing Type	电压 Rated Voltage	频率 Fre- quency	电流 Current	功率 Power	转速 Speed	噪音 Noise Level	风量 Air Flow		风压 Static Pressure	重量 Weight
		VAC	Hz	A	W	RPM	dBA	M <sup>3</sup> /min	CFM	mmH <sub>2</sub> O	g
DAH1238S	Sleeve	115	50/60	0.22/0.18	21/18	2600/2950	40/45	2.58/3.20	91/113	6.35/7.62	530
DAH1238B	Ball										
DAH1238S	Sleeve			0.12/0.11							
DAH1238B	Ball										
DAL1238S	Sleeve	220 ~ 240	50/60	0.09/0.08	16/15	2200/2500	37/39	2.03/2.25	72/80	3.56/5.33	
DAL1238B	Ball										
DAL1238S	Sleeve	380	50	0.06	18	2600	40	2.58	91	6.35	
DAL1238B	Ball										

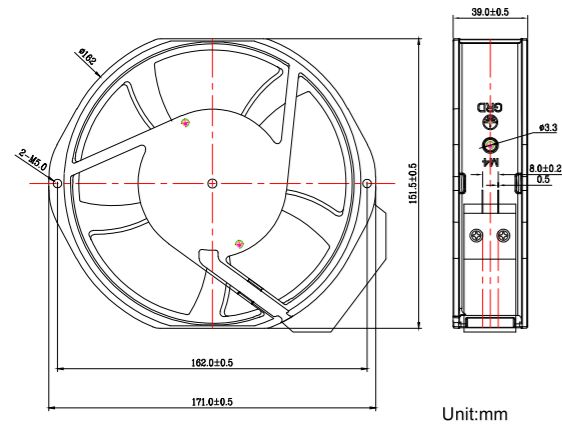
# 1738



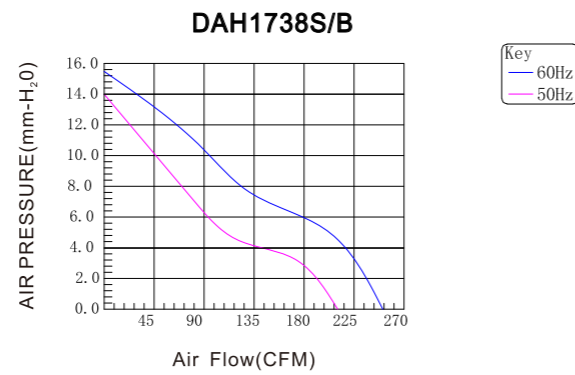
### General Specifications (一般规格)

- ◆Material:  
Impeller: PBT UL 94V-0 Reinforced Plastic  
Frame :Aluminium Alloy
- ◆Lead Wires:UL Type
- ◆Motor Protection:Impedance Protect
- ◆Insulation Resistance:10MΩ Or Over With a DC500V Megger
- ◆Dielectric Withstand Voltage:AC1500V 3S
- ◆Allowable Ambient Temperature Range:  
-10°C ~ +70°C(Operating)  
-40°C ~ +70°C(Storage)

### Dimensions Drawing(外观图)



### Characteristic Curves (特性曲线)



### Specifications/规格

型号 Model	轴承类型 Bearing Type	电压 Rated Voltage	频率 Fre-quency	电流 Current	功率 Power	转速 Speed	噪音 Noise Level	风量 Air Flow		风压 Static Pressure	重量 Weight
		VAC	Hz	A	W	RPM	dBA	M <sup>3</sup> /min	CFM	mmH <sub>2</sub> O	g
DAH1738S	Sleeve	115	50/60	0.25/0.21	27/25	2700/3100	53/59	5.91/7.07	210/250	14.00/15.5	750
DAH1738B	Ball										
DAH1738S	Sleeve	220 ~ 240	50/60	0.11/0.10	25/24	2700/3100	53/59	5.91/7.07	210/250	14.00/15.5	750
DAH1738B	Ball										

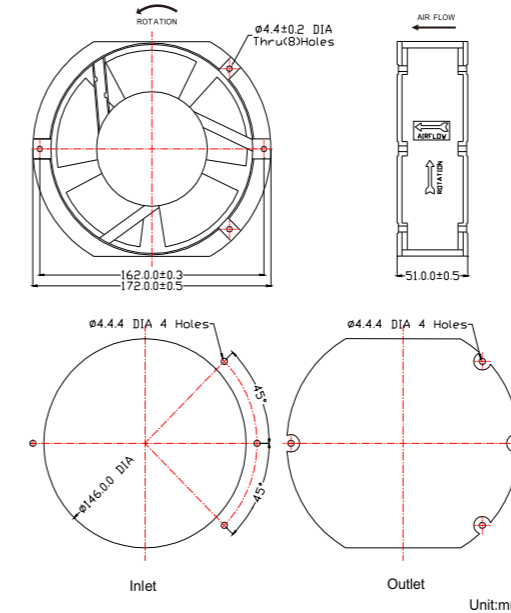
# 1751



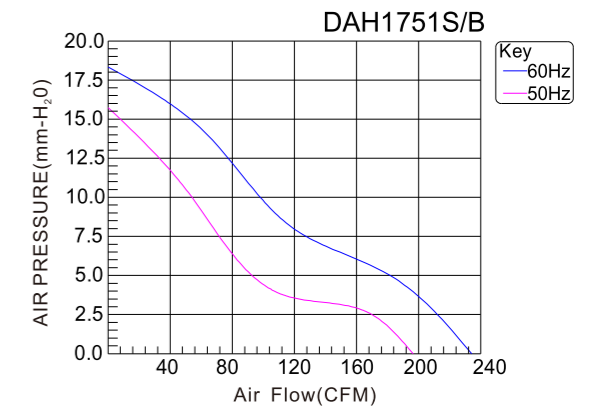
### General Specifications (一般规格)

- ◆Material:  
Impeller: PBT UL 94V-0 Reinforced Plastic  
Frame :Aluminium Alloy
- ◆Lead Wires:UL Type
- ◆Motor Protection:Impedance Protect
- ◆Insulation Resistance:10MΩ Or Over With a DC500V Megger
- ◆Dielectric Withstand Voltage:AC1500V 3S
- ◆Allowable Ambient Temperature Range:  
-10°C ~ +70°C(Operating)  
-40°C ~ +70°C(Storage)

### Dimensions Drawing(外观图)



### Characteristic Curves (特性曲线)



### Specifications/规格

型号 Model	轴承类型 Bearing Type	电压 Rated Voltage	频率 Fre-quency	电流 Current	功率 Power	转速 Speed	噪音 Noise Level	风量 Air Flow		风压 Static Pressure	重量 Weight
		VAC	Hz	A	W	RPM	dBA	M <sup>3</sup> /min	CFM	mmH <sub>2</sub> O	g
DAH1751S	Sleeve	115	50/60	0.50/0.45	37/36	2700/3100	45/50	5.37/6.65	190/235	16.00/17.78	908
DAH1751B	Ball										
DAH1751S	Sleeve	220 ~ 240	50/60	0.22/0.21	34/33	2700/3100	45/50	5.37/6.65	190/235	16.00/17.78	908
DAH1751B	Ball										
DAH1751S	Sleeve	380	50	0.11	34	2700	45	5.37	190	16	908
DAH1751B	Ball										

Notes:1. The parameters listed above are for reference. 2. Individual specification will be according to approval sheet provided or customers requirement.

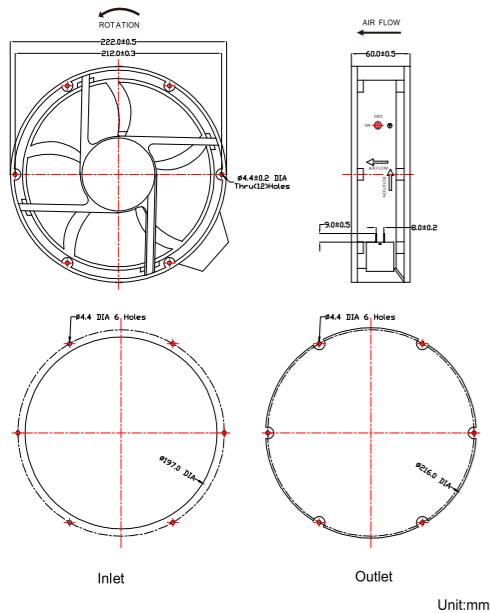
# 2260



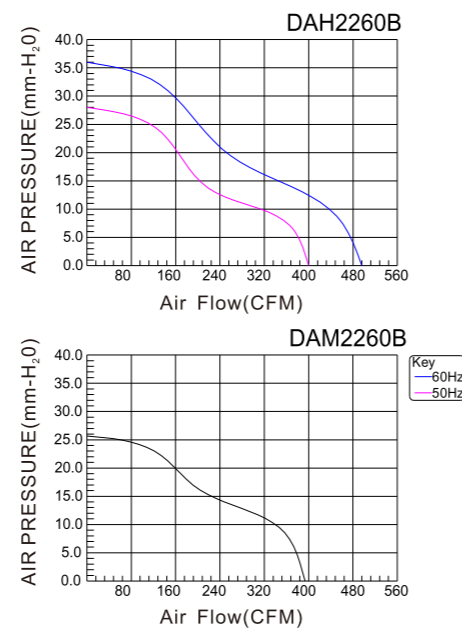
### General Specifications (一般规格)

- ◆ Material:
  - Impeller: PBT UL 94V-0 Reinforced Plastic
  - Frame :Aluminium Alloy
- ◆ Lead Wires:UL Type
- ◆ Motor Protection:Impedance Protect
- ◆ Insulation Resistance:10MΩ Or Over With a DC500V Megger
- ◆ Dielectric Withstand Voltage:AC1500V 3S
- ◆ Allowable Ambient Temperature Range:
  - 10°C ~ +70°C(Operating)
  - 40°C ~ +70°C(Storage)

### Dimensions Drawing(外观图)



### Characteristic Curves (特性曲线)



### Specifications/规格

型号 Model	轴承类型 Bearing Type	电压 Rated Voltage	频率 Fre-quency	电流 Current	功率 Power	转速 Speed	噪音 Noise Level	风量 Air Flow		风压 Static Pressure	重量 Weight
		VAC	Hz	A	W	RPM	dBA	M³/min	CFM	mmH₂O	g
DAH2260B	Ball	115	50/60	0.42/0.46	50/60	2800/3200	61/66	11.32/12.74	400/450	28/36	1400
DAM2260B				0.76/0.77	57/58	2400	56	11	388	2.54	
DAH2260B		220 ~ 240		0.26/0.26	50/60	2800/3200	61/66	11.32/12.74	400/450	28/36	
DAM2260B				0.28/0.29	42/38	2400	56	11	388	2.54	
DAH2260B				380	50	0.16	47	2400	56	11	

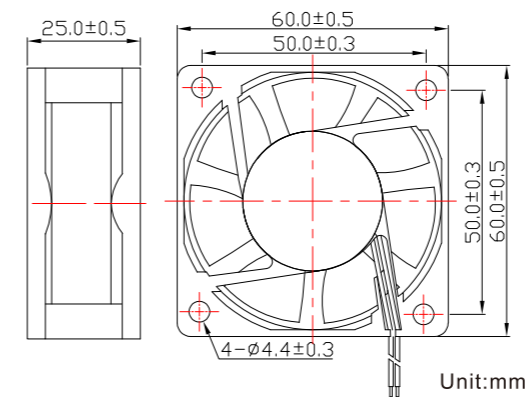
# 6025



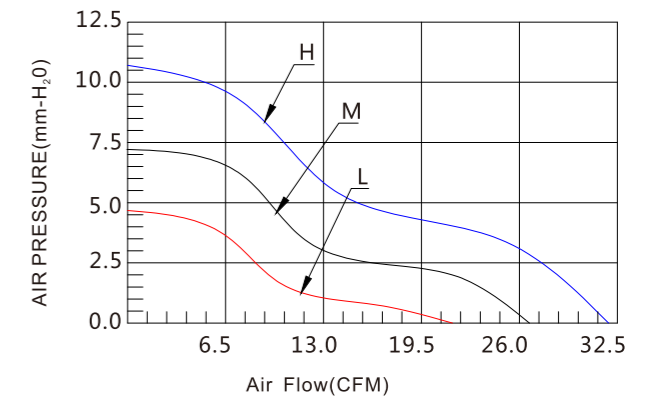
### General Specifications (一般规格)

- ◆ Material:
  - Frame And Impeller:Thermal Plastic UL 94-0
- ◆ Lead Wires:UL Type
  - RED Wire Positive(+)
  - Black Wire Negative(-)
- ◆ Operation Temperature:-10°C ~ +70°C
  - 35% ~ 85%RH
- ◆ Storage Temperature:-40°C ~ +70°C
  - 35% ~ 85%RH

### Dimensions Drawing(外观图)



### Characteristic Curves (特性曲线)



### Specifications/规格

型号 Model	轴承类型 Bearing Type	电压 Rated Voltage	频率 Fre-quency	电流 Current	功率 Power	转速 Speed	噪音 Noise Level	风量 Air Flow		风压 Static Pressure	重量 Weight
		VAC	Hz	A	W	RPM	dBA	M³/min	CFM	mmH₂O	g
DEH6025B	Ball	110 ~ 240	50/60	0.08	5.5	6000	38.0	53.60	31.60	10.58	61
DEM6025B				0.04	3.5	5000	34.1	44.80	26.40	7.34	
DEL6025B				0.02	3.0	4000	29.3	35.80	21.10	4.70	

Notes:1. The parameters listed above are for reference. 2. Individual specification will be according to approval sheet provided or customers requirement.

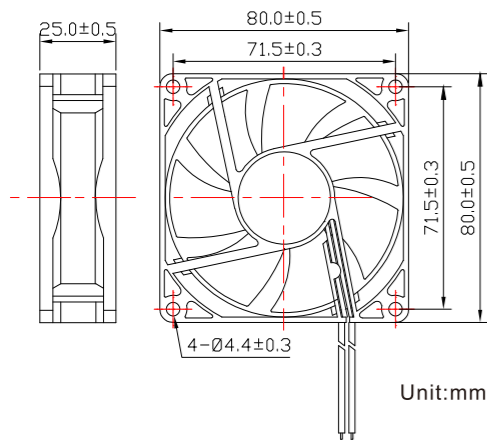
# 8025



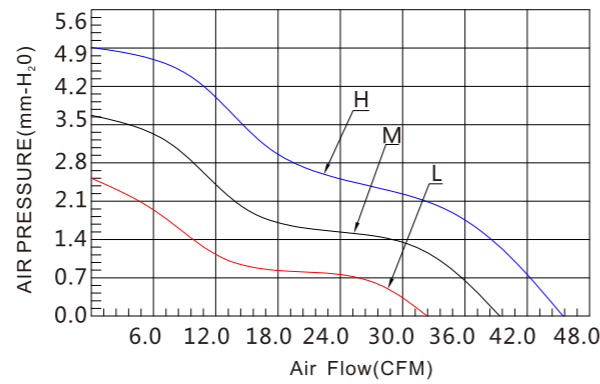
### General Specifications (一般规格)

- ◆Material:  
Frame And Impeller:Thermal Plastic UL 94-0
- ◆Lead Wires:UL Type  
RED Wire Positive(+)  
Black Wire Negative(-)
- ◆Operation Temperature:-10°C ~ +70°C  
35% ~ 85%RH
- ◆Storage Temperature:-40°C ~ +70°C  
35% ~ 85%RH

### Dimensions Drawing(外观图)



### Characteristic Curves (特性曲线)



### Specifications/规格

型号 Model	轴承类型 Bearing Type	电压 Rated Voltage	频率 Fre- quency	电流 Current	功率 Power	转速 Speed	噪音 Noise Level	风量 Air Flow		风压 Static Pressure	重量 Weight
		VAC	Hz	A	W	RPM	dBA	M³/min	CFM	mmH₂O	g
DEH8025B	Ball	110 ~ 240	50/60	0.05	5.0	3500	35.1	76.80	45.32	4.94	68
DEM8025B				0.04	3.2	3000	31.7	65.70	38.84	3.63	
DEL8025B				0.03	1.8	2500	27.8	54.80	32.37	2.52	

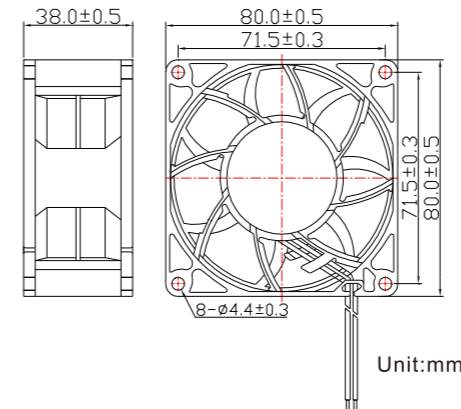
# 8038



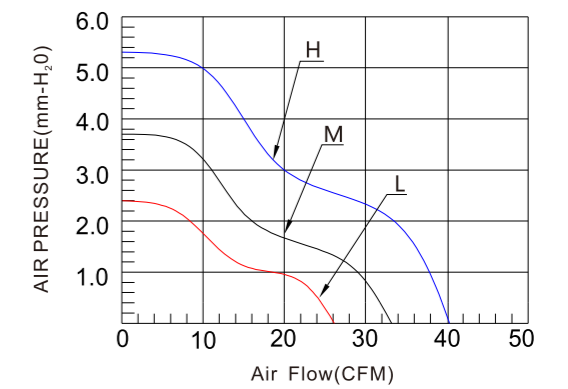
### General Specifications (一般规格)

- ◆Material:  
Frame And Impeller:Thermal Plastic UL 94-0
- ◆Lead Wires:UL Type  
RED Wire Positive(+)  
Black Wire Negative(-)
- ◆Operation Temperature:-10°C ~ +70°C  
35% ~ 85%RH
- ◆Storage Temperature:-40°C ~ +70°C  
35% ~ 85%RH

### Dimensions Drawing(外观图)



### Characteristic Curves (特性曲线)



### Specifications/规格

型号 Model	轴承类型 Bearing Type	电压 Rated Voltage	频率 Fre- quency	电流 Current	功率 Power	转速 Speed	噪音 Noise Level	风量 Air Flow		风压 Static Pressure	重量 Weight
		VAC	Hz	A	W	RPM	dBA	M³/min	CFM	mmH₂O	g
DEH8038B	Ball	110 ~ 240	50/60	0.05	4.0	3000	37.2	68.10	40.10	5.3	136
DEM8038B				0.04	3.5	2500	32.5	56.50	33.30	3.7	
DEL8038B				0.03	3.0	2000	26.3	44.30	26.10	2.4	

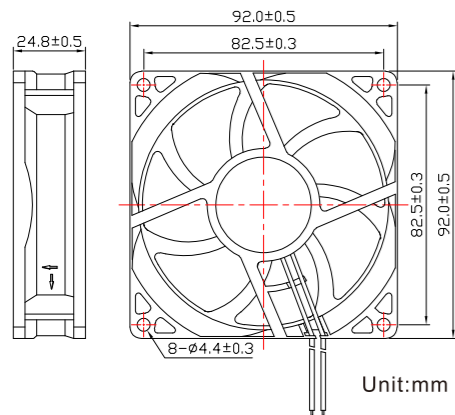
# 9225



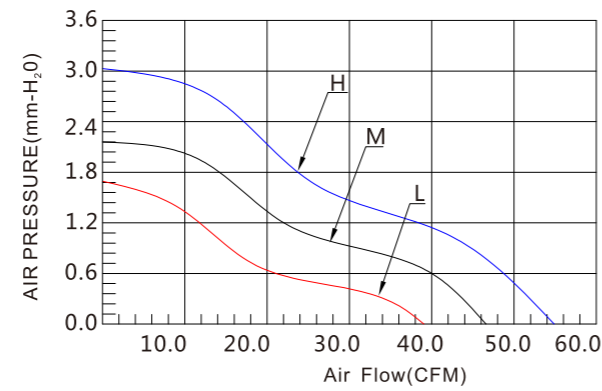
### General Specifications (一般规格)

- ◆Material:  
Frame And Impeller: Thermal Plastic UL 94-0
- ◆Lead Wires: UL Type  
RED Wire Positive(+)  
Black Wire Negative(-)
- ◆Operation Temperature: -10°C ~ +70°C  
35% ~ 85%RH
- ◆Storage Temperature: -40°C ~ +70°C  
35% ~ 85%RH

### Dimensions Drawing(外观图)



### Characteristic Curves (特性曲线)



### Specifications/规格

型号 Model	轴承类型 Bearing Type	电压 Rated Voltage	频率 Fre- quency	电流 Current	功率 Power	转数 Speed	噪音 Noise Level	风量 Air Flow		风压 Static Pressure	重量 Weight
		VAC	Hz	A	W	RPM	dBA	M <sup>3</sup> /min	CFM	mmH <sub>2</sub> O	g
DEH9225B	Ball	110 ~ 240	50/60	0.07	4.5	3000	32.6	94.65	55.75	3.04	90
DEM9225B				0.05	3.5	2500	28.6	78.88	46.46	2.11	
DEL9225B				0.04	3.0	2000	25.9	67.69	39.87	1.67	

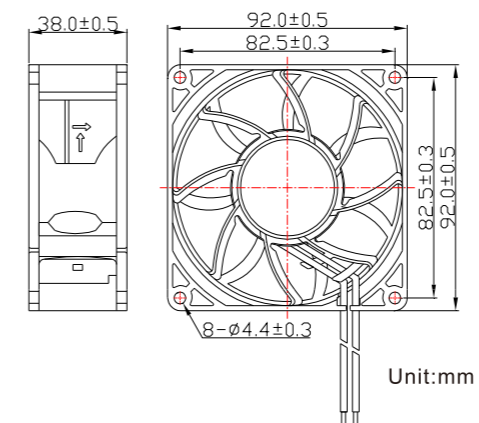
# 9238



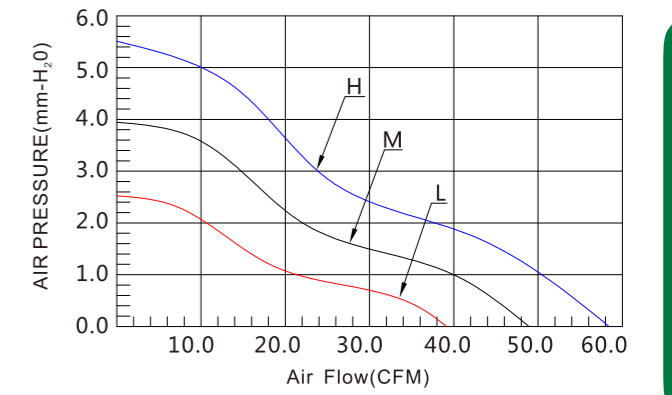
### General Specifications (一般规格)

- ◆Material:  
Frame And Impeller: Thermal Plastic UL 94-0
- ◆Lead Wires: UL Type  
RED Wire Positive(+)  
Black Wire Negative(-)
- ◆Operation Temperature: -10°C ~ +70°C  
35% ~ 85%RH
- ◆Storage Temperature: -40°C ~ +70°C  
35% ~ 85%RH

### Dimensions Drawing(外观图)



### Characteristic Curves (特性曲线)



### Specifications/规格

型号 Model	轴承类型 Bearing Type	电压 Rated Voltage	频率 Fre- quency	电流 Current	功率 Power	转数 Speed	噪音 Noise Level	风量 Air Flow		风压 Static Pressure	重量 Weight
		VAC	Hz	A	W	RPM	dBA	M <sup>3</sup> /min	CFM	mmH <sub>2</sub> O	g
DEH9238B	Ball	110 ~ 240	50/60	0.08	5.0	3000	42.9	99.78	58.67	5.55	152
DEM9238B				0.06	4.0	2500	39.0	83.15	48.89	3.85	
DEL9238B				0.04	3.0	2000	34.2	66.53	39.12	2.47	

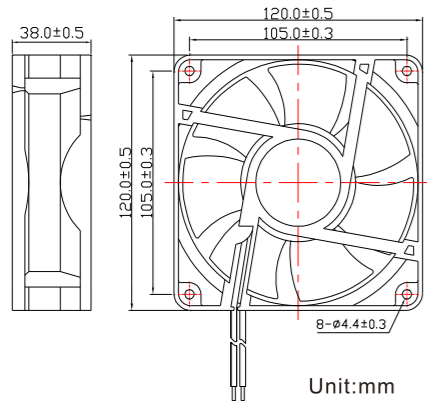
# 1238



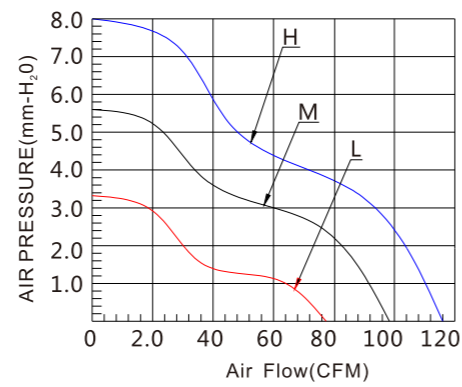
### General Specifications (一般规格)

- ◆Material:  
Frame And Impeller: Thermal Plastic UL 94-0
- ◆Lead Wires: UL Type  
RED Wire Positive(+)  
Black Wire Negative(-)
- ◆Operation Temperature: -10°C ~ +70°C  
35% ~ 85%RH
- ◆Storage Temperature: -40°C ~ +70°C  
35% ~ 85%RH

### Dimensions Drawing(外观图)



### Characteristic Curves (特性曲线)



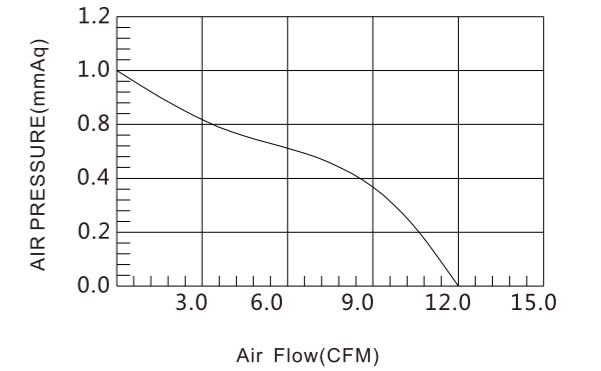
### Specifications/规格

型号 Model	轴承类型 Bearing Type	电压 Rated Voltage	频率 Fre- quency	电流 Current	功率 Power	转速 Speed	噪音 Noise Level	风量 Air Flow		风压 Static Pressure	重量 Weight
		VAC	Hz	A	W	RPM	dBA	M <sup>3</sup> /min	CFM	mmH <sub>2</sub> O	g
DEH1238S	Sleeve	110 ~ 240	50/60	0.09	6.0	3000	45.3	197.5	116.3	8.0	260
DEM1238S				0.07	5.5	2500	40.6	168.4	99.2	5.6	
DEL1238S				0.05	5.0	2000	34.1	131.4	77.4	3.3	
DEH1238B	Ball	110 ~ 240	50/60	0.09	6.0	3000	45.3	197.5	116.3	8.0	
DEM1238B				0.07	5.5	2500	40.6	168.4	99.2	5.6	
DEL1238B				0.05	5.0	2000	34.1	131.4	77.4	3.3	

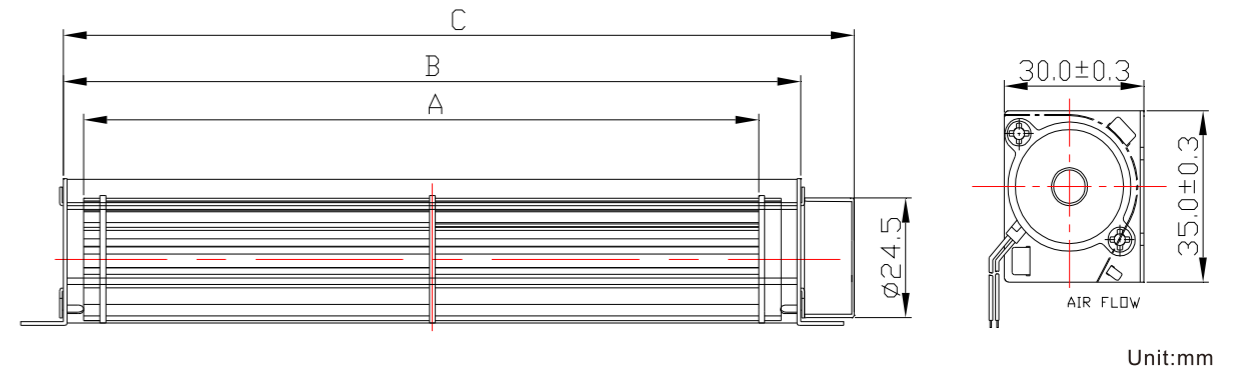
# DC 25 series



### Characteristic Curves (特性曲线)



### Dimensions Drawing(外观图)



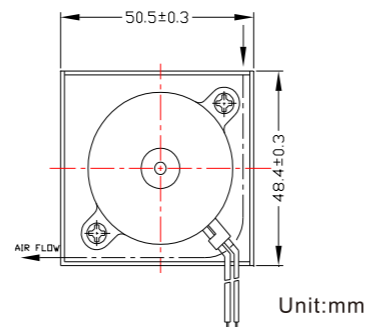
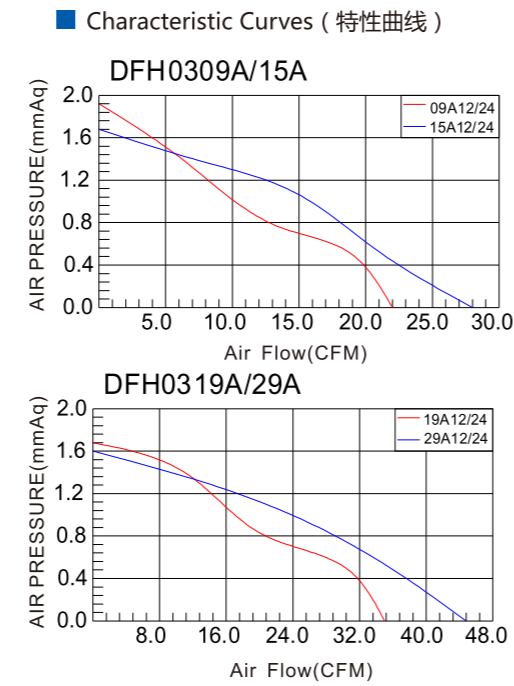
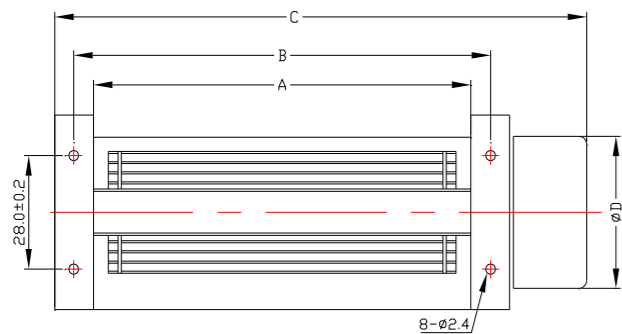
### Specifications/规格

型号 Model	尺寸 Size(mm)			电压 Rated Voltage	电流 Current	转速 Speed	风压 Static Pressure	风量 Air Flow		噪音 Noise Level	重量 Weight
	A	B	C	VAC	A	RPM	mmH <sub>2</sub> O	M <sup>3</sup> /min	CFM	dBA	g
DFH2515X-A	160	170	185	12	0.11	3400	1.0	0.35	12	39	100

# DC 30 series



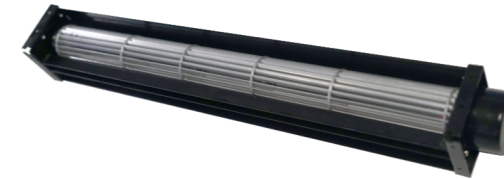
■ Dimensions Drawing(外观图)



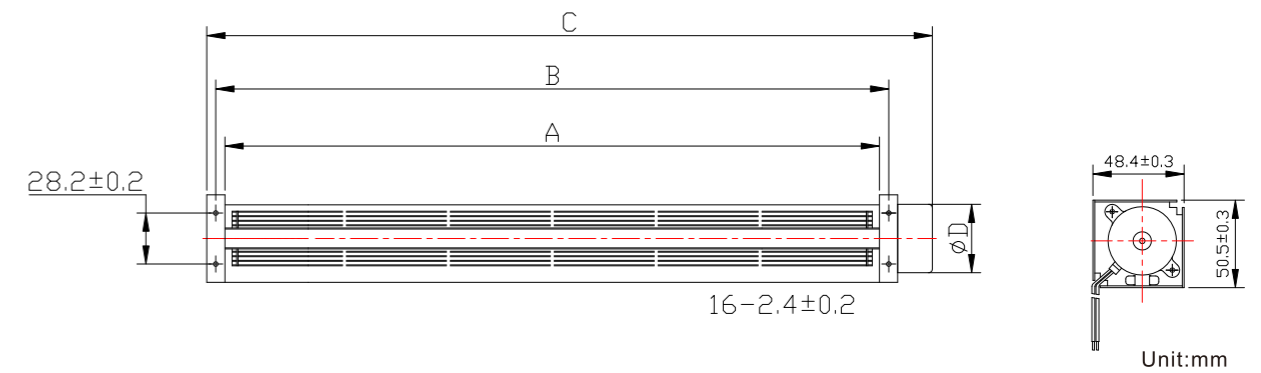
■ Specifications/规格

型号 Model	尺寸 Size(mm)				电压 Rated Voltage VAC	电流 Current A	转速 Speed RPM	风压 Static Pressure mmH <sub>2</sub> O	风量 Air Flow		噪音 Noise Level dBA	重量 Weight g
	A	B	C	D					M <sup>3</sup> /min	CFM		
DFH0309X-A	98	108	134	37.5	12	0.15	3200	1.9	0.6	22	29	180
DFH0309X-A					24	0.18						
DFH0315X-A	160	170	196	37.5	12	0.16	3100	1.7	0.8	28	30	210
DFH0315X-A					24	0.15						
DFH0319X-A	198	208	234	37.5	12	0.20	2900	1.7	1.0	35	31	230
DFH0319X-A					24	0.16						
DFH0329X-A	300	310	338	37.5	12	0.22	2600	1.5	1.3	46	33	290
DFH0329X-A					24	0.20						

# DC 30 series

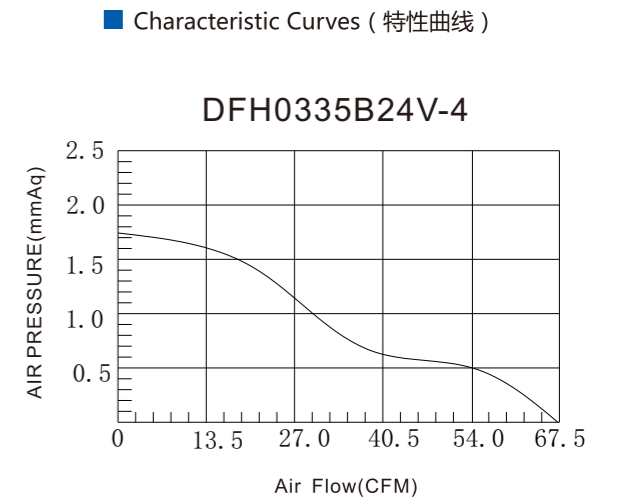


■ Dimensions Drawing(外观图)



■ Specifications/规格

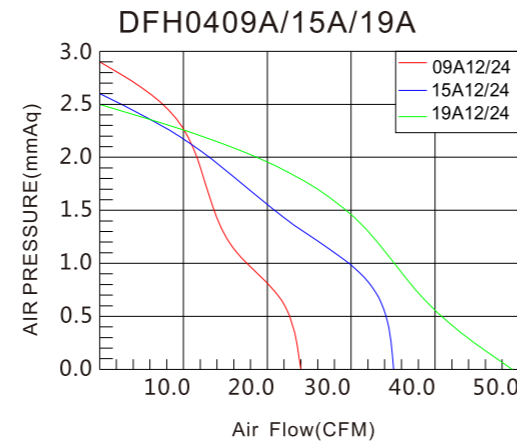
型号 Model	尺寸 Size(mm)			电压 Rated Voltage VAC	电流 Current A	转速 Speed RPM	风压 Static Pressure mmH <sub>2</sub> O	风量 Air Flow		噪音 Noise Level dBA	重量 Weight g
	A	B	C					M <sup>3</sup> /min	CFM		
DFH0335B24-A	350	370	397	24	0.25	3200	1.74	1.90	67.0	45.7	415



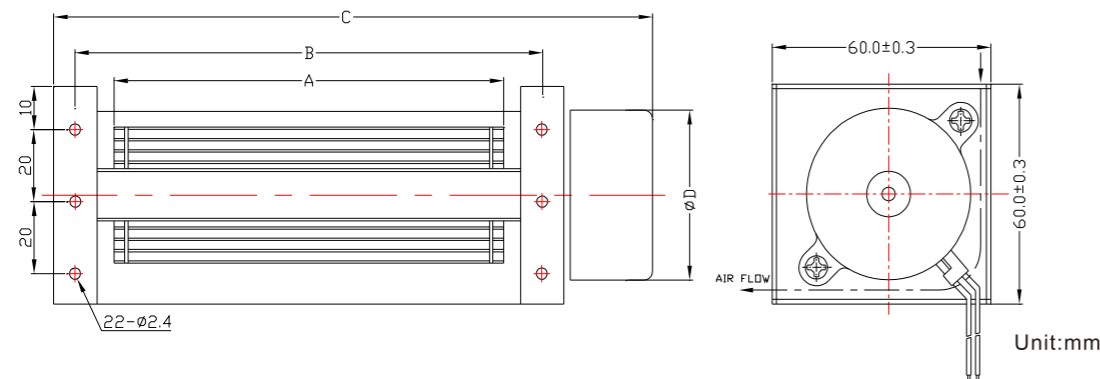
# DC 40 series



■ Characteristic Curves (特性曲线)



■ Dimensions Drawing (外观图)



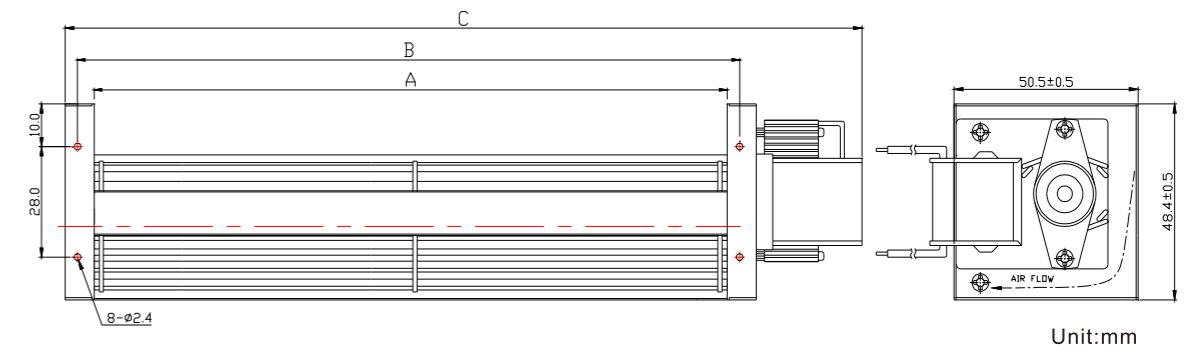
■ Specifications/规格

型号 Model	尺寸 Size (mm)				电压 Rated Voltage VAC	电流 Current A	转速 Speed RPM	风压 Static Pressure mmH <sub>2</sub> O	风量 Air Flow		噪音 Noise Level dBA	重量 Weight g
	A	B	C	D					M <sup>3</sup> /min	CFM		
DFH0409X-A	98	108	134	37.5	12	0.20	3000	2.9	0.7	24	23	220
DFH0409X-A					24	0.15						
DFH0415X-A	160	170	196	37.5	12	0.25	2600	2.6	1.0	35	31	260
DFH0415X-A					24	0.20						
DFH0419X-A	198	208	234	37.5	12	0.30	2500	2.5	1.4	49	33	310
DFH0419X-A					24	0.20						

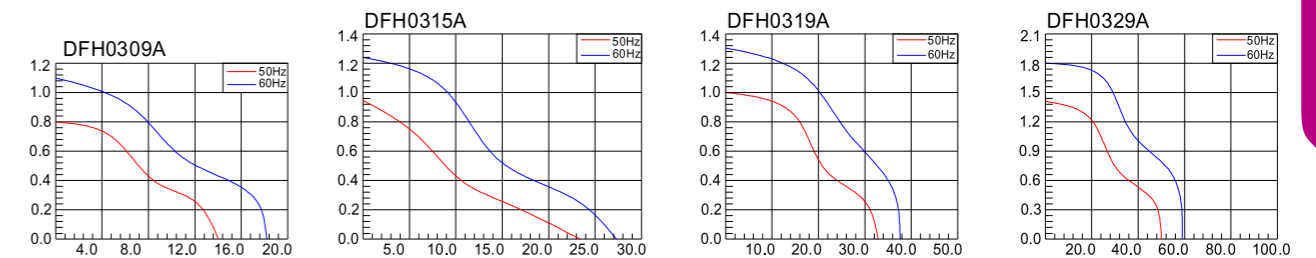
# AC 30 series



■ Dimensions Drawing (外观图)



■ Characteristic Curves (特性曲线)



■ Specifications/规格

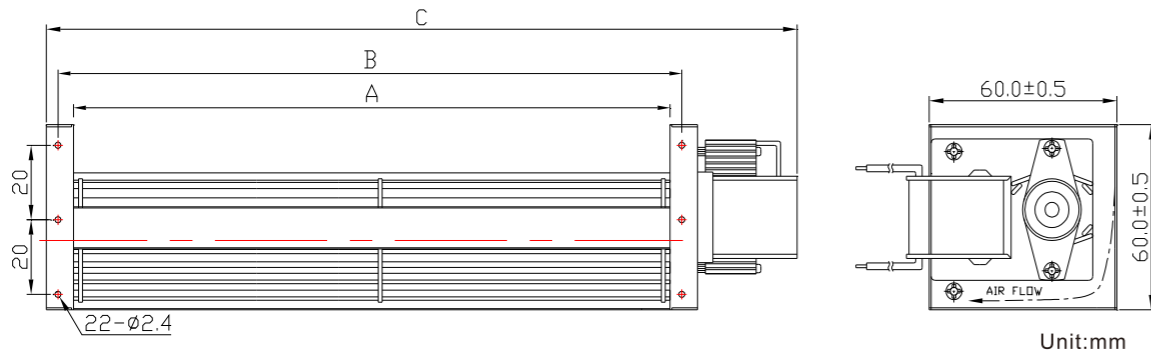
型号 Model	尺寸 Size (mm)			电压 Rated Voltage VAC	频率 Fre- quency Hz	电流 Current A	功率 Power W	转速 Speed RPM	风压 Static Pressure mmH <sub>2</sub> O	风量 Air Flow		噪音 Noise Level dBA	重量 Weight g
	A	B	C							M <sup>3</sup> /min	CFM		
DFH0309X-A	98	108	160	120	50/60	0.11/0.19	8/7	3200/2900	0.8/1.1	0.4/0.5	14/17	21/24	390
DFH0309X-A				230		0.07/0.05	8/7	3200/2900	0.8/1.1	0.4/0.5	14/17	21/24	
DFH0315X-A	160	170	196	120		0.14/0.12	9/8	2700/3100	0.9/1.2	0.7/0.8	24/28	27/30	520
DFH0315X-A				230		0.09/0.07	10/9	2700/3100	0.9/1.2	0.7/0.8	24/28	27/30	
DFH0319X-A	198	208	260	120		0.14/0.12	9/8	2700/3100	1.0/1.3	0.9/1.0	32/35	27/30	540
DFH0319X-A				230		0.09/0.07	11/9	2700/3100	1.0/1.3	0.9/1.0	32/35	27/30	
DFH0329X-A	300	310	362	120		0.20/0.17	15/13	2700/3100	1.4/1.7	1.5/1.7	53/60	32/34	670
DFH0329X-A				230		0.09/0.07	12/11	2700/3100	1.4/1.7	1.5/1.7	53/60	32/34	

Notes: 1. The parameters listed above are for reference. 2. Individual specification will be according to approval sheet provided or customers requirement.

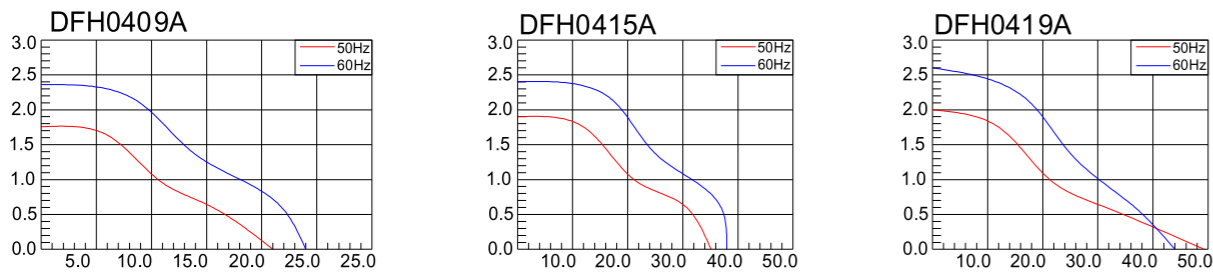
# AC 40 series



### ■ Dimensions Drawing(外观图)



### ■ Characteristic Curves (特性曲线)



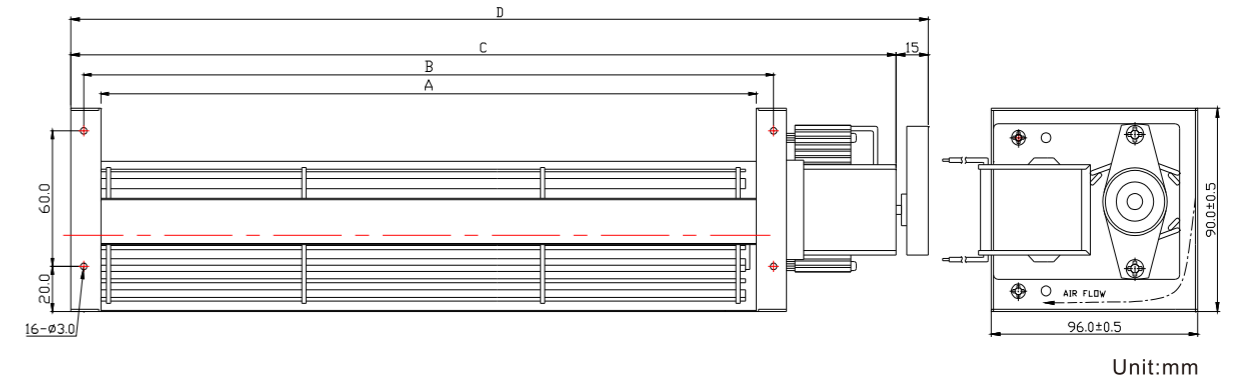
### ■ Specifications/规格

型号 Model	尺寸 Size(mm)			电压 Rated Voltage VAC	频率 Fre- quency Hz	电流 Current A	功率 Power W	转速 Speed RPM	风压 Static Pressure mmH <sub>2</sub> O	风量 Air Flow		噪音 Noise Level dBA	重量 Weight g
	A	B	C							M <sup>3</sup> /min	CFM		
DFH0409X-A	98	108	160	120	50/60	0.14/0.12	10/9	2700/2300	1.7/1.3	0.6/0.7	21/24	29/33	520
DFH0409X-A				230		0.09/0.07	11/9	2700/2300	1.7/1.3	0.6/0.7	21/24	29/33	
DFH0415X-A	160	170	196	120		0.15/0.13	11/10	2600/2800	1.9/2.4	1.0/1.1	35/39	30/34	560
DFH0415X-A				230		0.09/0.07	11/9	2600/2800	1.9/2.4	1.0/1.1	35/39	30/34	
DFH0419X-A	198	208	260	120		0.15/0.13	10/9	2500/2400	2.0/2.6	1.4/1.3	46/49	31/33	600
DFH0419X-A				230		0.09/0.07	12/11	2500/2400	2.0/2.6	1.4/1.3	46/49	31/33	

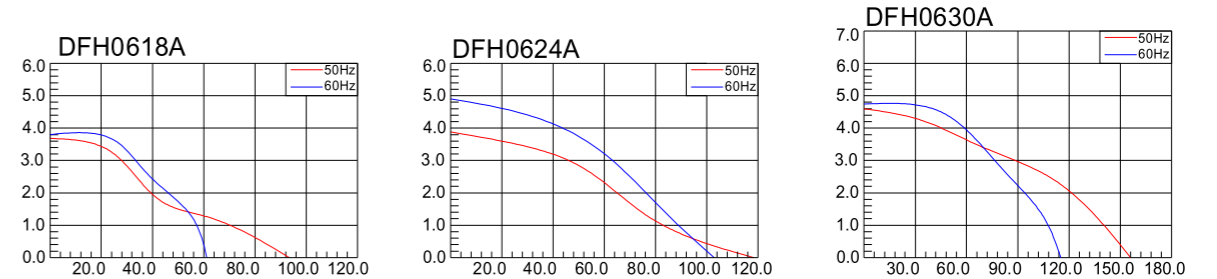
# AC 60 series



### ■ Dimensions Drawing(外观图)



### ■ Characteristic Curves (特性曲线)

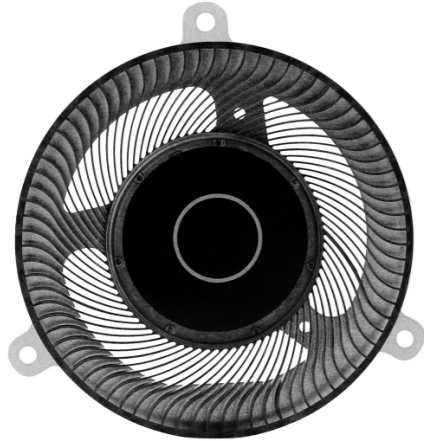


### ■ Specifications/规格

型号 Model	尺寸 Size(mm)				电压 Rated Voltage VAC	频率 Fre- quency Hz	电流 Current A	功率 Power W	转速 Speed RPM	风压 Static Pressure mmH <sub>2</sub> O	风量 Air Flow		噪音 Noise Level dBA	重量 Weight g
	A	B	C	D							M <sup>3</sup> /min	CFM		
DFH0618X-A	184	199	262	277	120	50/60	0.33	23	1700	3.8	1.80	63	35	1200
DFH0618X-A					230		0.17	23	2000	3.7	2.50	88	39	
DFH0624X-A	245	260	323	338	120		0.42	31	1900	4.9	2.90	102	41	1400
DFH0624X-A					230		0.23	31	2000	3.9	3.30	118	42	
DFH0630X-A	306	321	384	396	120		0.63	42	1900	4.7	3.20	114	42	1500
DFH0630X-A					230		0.28	36	2200	4.6	4.40	154	44	

Notes: 1. The parameters listed above are for reference. 2. Individual specification will be according to approval sheet provided or customers requirement.

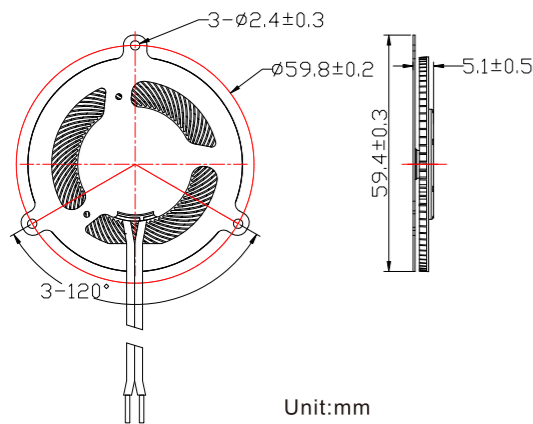
6005



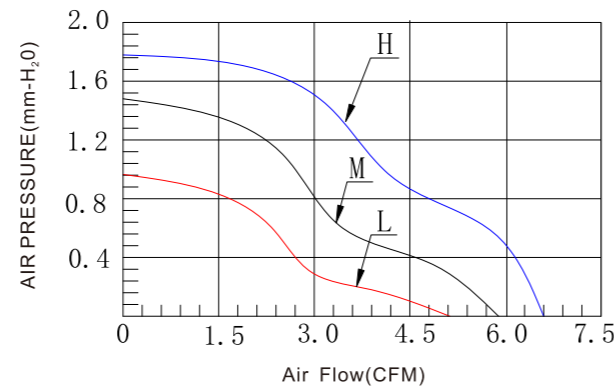
General Specifications (一般规格)

- ◆ Material: Frame And Impeller:SGCC+LCP (94V-0) + UL 94-0
- ◆ Lead Wires:UL Type  
RED Wire Positive(+)  
Black Wire Negative(-)
- ◆ Insulation Resistance:10MΩ Or Over With a DC250V Megger
- ◆ Dielectric Withstand Voltage:AC500V 1S
- ◆ Allowable Ambient Temperature Range:  
-10°C ~ +70°C(Operating)  
-40°C ~ +70°C(Storage)

Dimensions Drawing(外观图)



Characteristic Curves (特性曲线)






Specifications/规格

型号 Model	轴承类型 Bearing Type	电压 Rated Voltage VDC	电压范围 Operation Voltage VDC	电流 Current A	转速 Speed RPM	风量 Air Flow CFM	风压 Static Pressure mmH <sub>2</sub> O	噪音 Noise Level dBA	重量 Weight g
DFH6005S	Hydraulic	5	4.5~5.5	0.50	4500	6.60	1.78	36.9	15.2
DFM6005S				0.45	4000	5.87	1.40	34.6	
DFL6005S				0.40	3500	5.13	0.97	32.0	
DFH6005S		12	10.8~13.2	0.25	4500	6.60	1.78	36.9	
DFM6005S				0.20	4000	5.87	1.40	34.6	
DFL6005S				0.15	3500	5.13	0.97	32.0	

图片 Photos	尺寸 Size	型号 Model	轴承类型 Bearing Type	电压 Rated Voltage	电压范围 Operation Voltage	电流 Current	转速 Speed	风量 Air Flow	风压 Static Pressure	噪音 Noise Level	重量 Weight
	mm			VDC	VDC						
	ø27X9	DFH2709S	Hydraulic	5	4.5~5.5	0.30	8500	*	*	25.2	6.5
		DFM2709S				0.25	7000	*	*	21.4	
		DFL2709S				0.20	5500	*	*	18.5	
	ø30X10	DFH3010/B	Ball	12	10.8~13.2	0.10	10000	*	*	29.0	10
	ø37X9	DFH3709S	Hydraulic	5	4.5~5.5	0.35	8500	*	*	31.7	7.5
		DFM3709S				0.30	7000	*	*	27.9	
		DFL3709S				0.25	5500	*	*	23.2	
	ø40X10	DFH4010S/B	Sleeve/Ball	5	4.5~5.5	0.16	5400	*	*	24.9	10
	ø50X10	DFH5010S/B	Sleeve/Ball	12	10.8~13.2	0.08	4500	*	*	26.1	15
	ø60X10	DFH6010S	Sleeve	12	10.8~13.2	0.17	4200	*	*	31.7	21
	ø60X25	DFH6025B	Ball	5	4.5~5.5	0.60	5000	*	*	34.8	37.3
		DFM6025B				0.50	4500	*	*	32.5	
		DFL6025B				0.40	4000	*	*	30.0	
		DFH6025B		12	10.8~13.2	0.30	5000	*	*	34.8	
		DFM6025B				0.25	4500	*	*	32.5	
		DFL6025B				0.20	4000	*	*	30.0	

Notes:1. The parameters listed above are for reference. 2. Individual specification will be according to approval sheet provided or customers requirement.

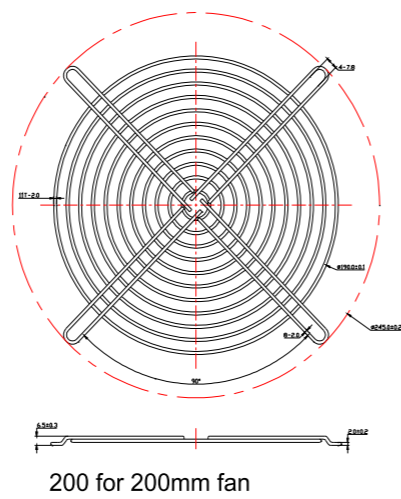
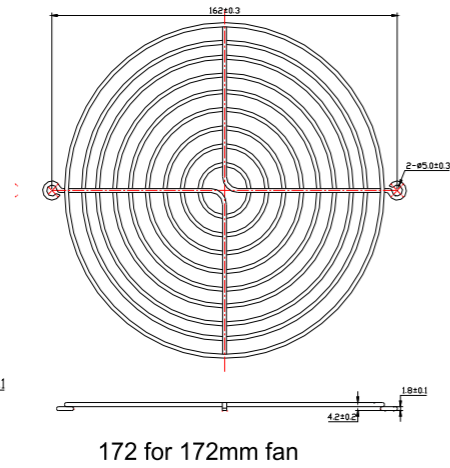
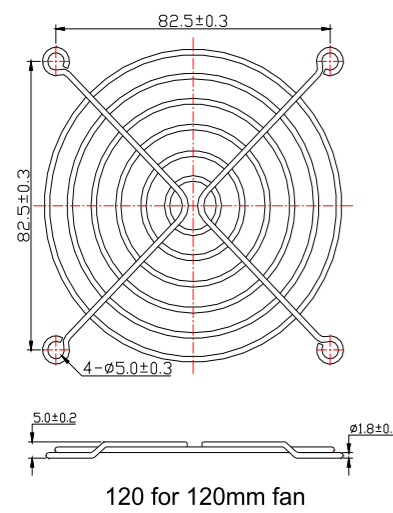
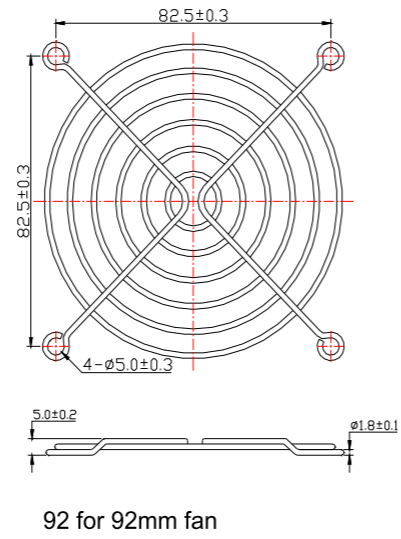
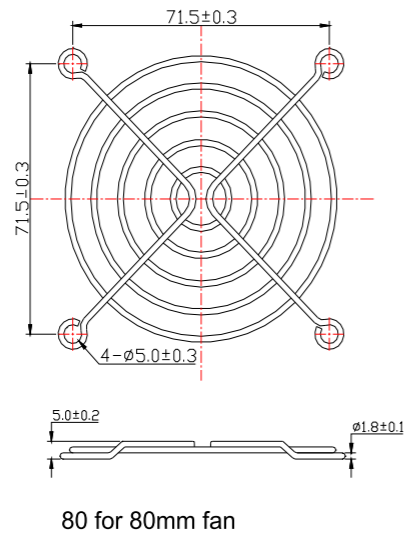
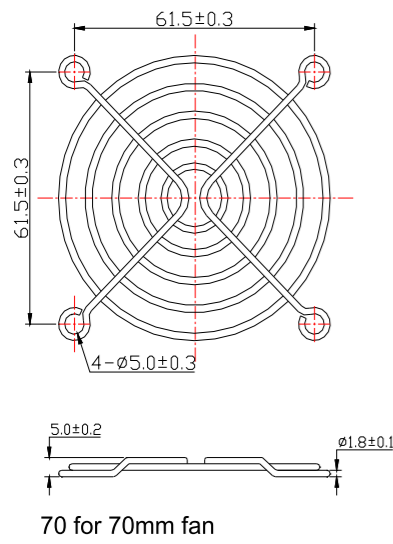
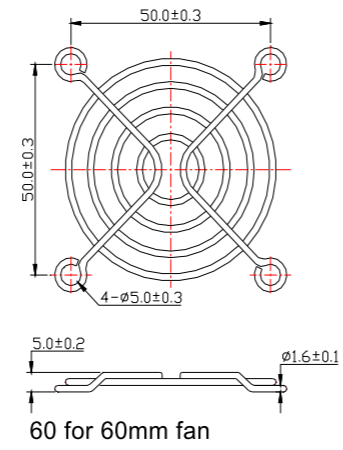
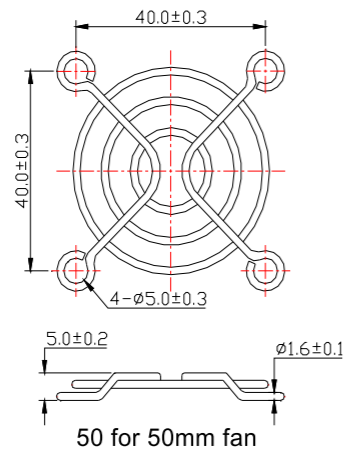
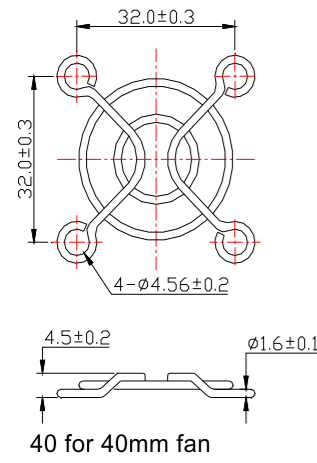
图片 Photos	尺寸 Size	型号 Model	轴承类型 Bearing Type	电压 Rated Voltage	电压范围 Operation Voltage	电流 Current	转速 Speed	风量 Air Flow	风压 Static Pressure	噪音 Noise Level	重量 Weight
	mm			VDC	VDC	A	RPM	CFM	mmH <sub>2</sub> O	dBA	g
	Φ70X15	DFH7015B	Ball	12	10.8~13.2	0.35	3000	*	*	30.5	32
		DFM7015B				0.30	2500			26.9	
		DFL7015B				0.25	2000			22.6	
		DFH7015B		24	21.6~26.4	0.30	3000	*	*	30.5	
		DFM7015B				0.20	2500			26.9	
		DFL7015B				0.15	2000			22.6	
	Φ80X15	DFH8015S	Sleeve	5	4.5~5.5	0.50	2800	*	*	34.0	32
		DFM8015S				0.40	2500			31.3	
		DFL8015S				0.30	2300			29.7	
		DFH8015S		12	10.8~13.2	0.30	2800	*	*	34.0	
		DFM8015S				0.20	2500			31.3	
		DFL8015S				0.15	2300			29.7	
	Φ80X25	DFH8025S	Hydraulic	12	10.8~13.2	0.30	3000	*	*	28.4	42
		DFM8025S				0.20	2500			24.9	
		DFL8025S				0.10	2000			20.5	
		DFH8025S		24	21.6~26.4	0.20	3000	*	*	28.4	
		DFM8025S				0.15	2500			24.9	
		DFL8025S				0.10	2000			20.5	
		DFH8025B	Ball	12	10.8~13.2	0.30	3000	*	*	28.4	
		DFM8025B				0.20	2500			24.9	
		DFL8025B				0.10	2000			20.5	
		DFH8025B		24	21.6~26.4	0.20	3000	*	*	28.4	
		DFM8025B				0.15	2500			24.9	
		DFL8025B				0.10	2000			20.5	

图片 Photos	尺寸 Size	型号 Model	轴承类型 Bearing Type	电压 Rated Voltage	电压范围 Operation Voltage	电流 Current	转速 Speed	风量 Air Flow	风压 Static Pressure	噪音 Noise Level	重量 Weight
	mm			VDC	VDC	A	RPM	CFM	mmH <sub>2</sub> O	dBA	g
	Φ50X32	DFH5032S	Hydraulic	5	4.5~5.5	0.50	4500	11.42	8.37	35.4	27.5
		DFM5032S				0.40	4000	10.16	6.61	32.8	
		DFL5032S				0.30	3500	8.89	5.06	29.9	
		DFH5032S		12	10.8~13.2	0.25	4500	11.42	8.37	35.4	
		DFM5032S				0.20	4000	10.16	6.61	32.8	
		DFL5032S				0.10	3500	8.89	5.06	29.9	
	Φ80X30	DFH8030S	Sleeve	12	10.8~13.2	0.50	3200	*	*	49.7	25
	Φ90X25	DFH9025S	Sleeve	12	10.8~13.2	0.25	2100	*	*	30.0	75
	Φ90X25	DFH9025S	Sleeve	12	10.8~13.2	0.25	2500	*	*	32.0	70
	120X25	DFH1225S	Sleeve	12	10.8~13.2	0.40	2500	*	*	37.00	105
		DFM1225S				0.30	2100			31.00	
		DFL1225S				0.20	1700			25.20	
	Φ100X25	DFH1025B	Ball	12	10.8~13.2	0.80	4800	*	*	59.8	128
		DFM1025B				0.50	4000			49.8	
		DFL1025B				0.30	3200			39.9	
	Φ120X25	DFH12025B	Ball	12	10.8~13.2	0.65	2000	*	*	45.6	235
	Φ120x25	DFH1225B	Ball	12	10.8~13.2	0.60	2700	50.48	13.93	51.50	235
		DFM1225B				0.45	2300	43.00	10.11	48.0	
		DFL1225B				0.30	1900	35.52	6.90	43.9	
	Φ150x25	DFH1525B	Ball	12	10.8~13.2	1.00	2000	93.32	14.16	47.6	211
		DFM1525B				0.80	1700	79.32	10.23	44.1	
		DFL1525B				0.60	1400	65.32	6.94	39.9	
	Φ125x38	DFH12538S	Hydraulic	12	10.8~13.2	0.35	2000	34.74	4.36	40.6	173.5
		DFM12538S				0.25	1700	29.53	3.15	33.1	
		DFL12538S				0.20	1400	24.30	2.14	32.9	

Please note that "\*" means that the air flow and air pressure vary and can be tested by customized frame.

Notes: 1. The parameters listed above are for reference. 2. Individual specification will be according to approval sheet provided or customers requirement.

METAL FINGER GUARD



Notes: 1. The parameters listed above are for reference. 2. Individual specification will be according to approval sheet provided or customers requirement.